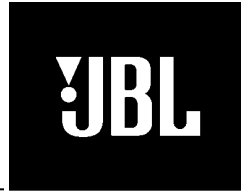


# Technical Manual

# JBL 4622

## SPECIFICATIONS



**PROFESSIONAL**

### ACOUSTIC & ELECTRICAL SPECIFICATIONS:

- Nominal Impedance: HF 8 ohms, LF 4 ohms
- Power Capacity: 600W
- Frequency Range: 30 Hz – 20 kHz
- Sensitivity: 101 dB 2V @ 1 Meter
- Crossover Frequency: 630 Hz

### SYSTEM COMPONENTS:

- Cabinet: 4509
- Low Frequency Transducer: 380mm (15 in.) 2035HPL-1 Cone Transducer (2) (124-37002-02)
- DC Resistance: 3.9 ohms
- High Frequency Transducer: 2430H (75mm) 3in. Diaphragm Compression Driver (125-30000-00X)
- DC Resistance: 4.4 ohms ±10%

### SYSTEM COMPONENTS: (Cont'd)

- Crossover Network Terminal Cup: 396-00012-00

### AURAL SWEEP TEST SPECIFICATIONS:

- A. System Aural Sweep Test: 7.0V Input, 500 Hz to 20 kHz
- B. L.F. Aural Sweep Test: 10.0V Input, 20 Hz to 200 Hz
- C. H.F. Aural Sweep Test: 0.75V Input, 200 Hz to 1.0 kHz

### PHYSICAL SPECIFICATIONS:

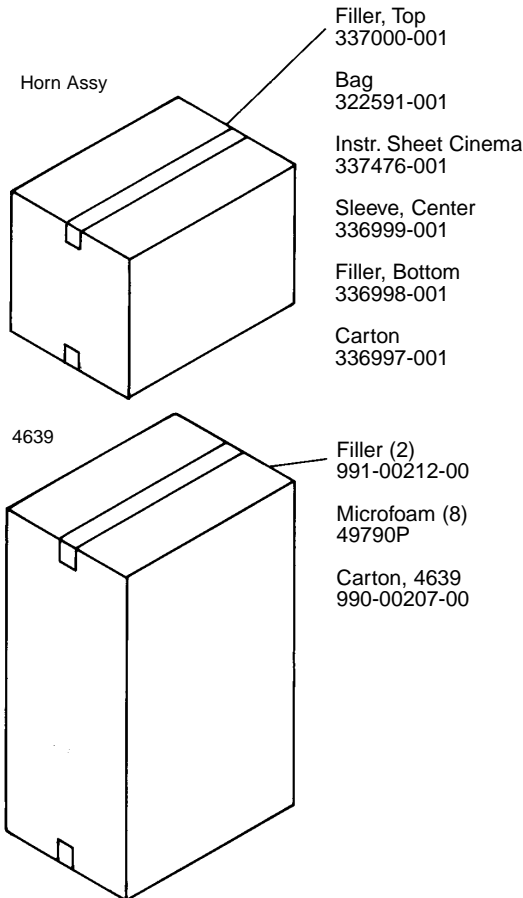
- Enclosure Dimensions: 1289mm x 762mm x 450mm D (50.75 x 30.0 x 17.75 in. D)
- Shipping Weight: 179 lbs. (81.3 kg.)

### WARRANTY INFORMATION:

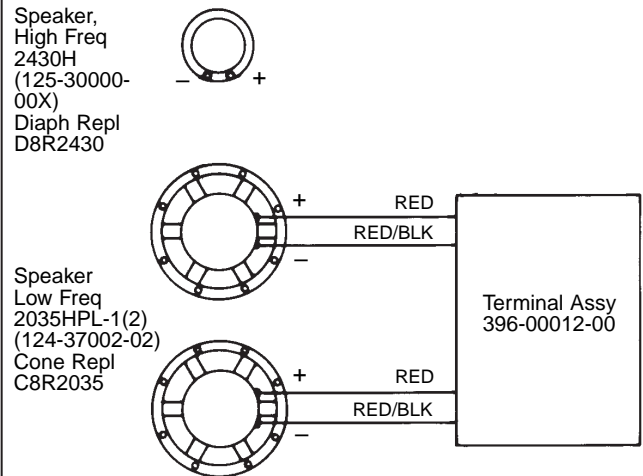
- Refer to Warranty Statement packed with each product.

## PACKAGE

Warranty 59660



## WIRING DIAGRAM



# JBL 4622

## COMPONENT EXPLODED VIEW

