

Technical Manual

JBL 3677S

SPECIFICATIONS



ACOUSTIC & ELECTRICAL SPECIFICATIONS:

- Nominal Impedance: 8 ohm
- Power Capacity: 225W Continuous Pink Noise IEC Standard
- Frequency Range: 40 Hz to 20 kHz (-10dB)
- Sensitivity: 99 dB SPL*
- Crossover Frequency: 1.2 kHz

SYSTEM COMPONENTS:

- Cabinet: C3677
- Grille: None
- Low Frequency Transducer: 380mm (15in.) Cone Transducer (M115-8A)
- DC Resistance: 5.4 ohm ±10% Aluminum Wire
- High Frequency Transducer: 25mm (1in.) Pure Titanium Compression Driver (2418H)

SYSTEM COMPONENTS: (Cont'd)

- DC Resistance: 3.7 ohm ±8% Aluminum Wire
- Terminal Cup: 129-00020-00

AURAL SWEEP TEST SPECIFICATIONS:

- A. System Aural Sweep Test: 7.0V Input, 20 Hz to 20 kHz
- B. L.F. Aural Sweep Test: 7.0V Input, 20 Hz to 1.2 kHz
- C. H.F. Aural Sweep Test: 2.83V Input, 550 Hz to 20 kHz

PHYSICAL SPECIFICATIONS:

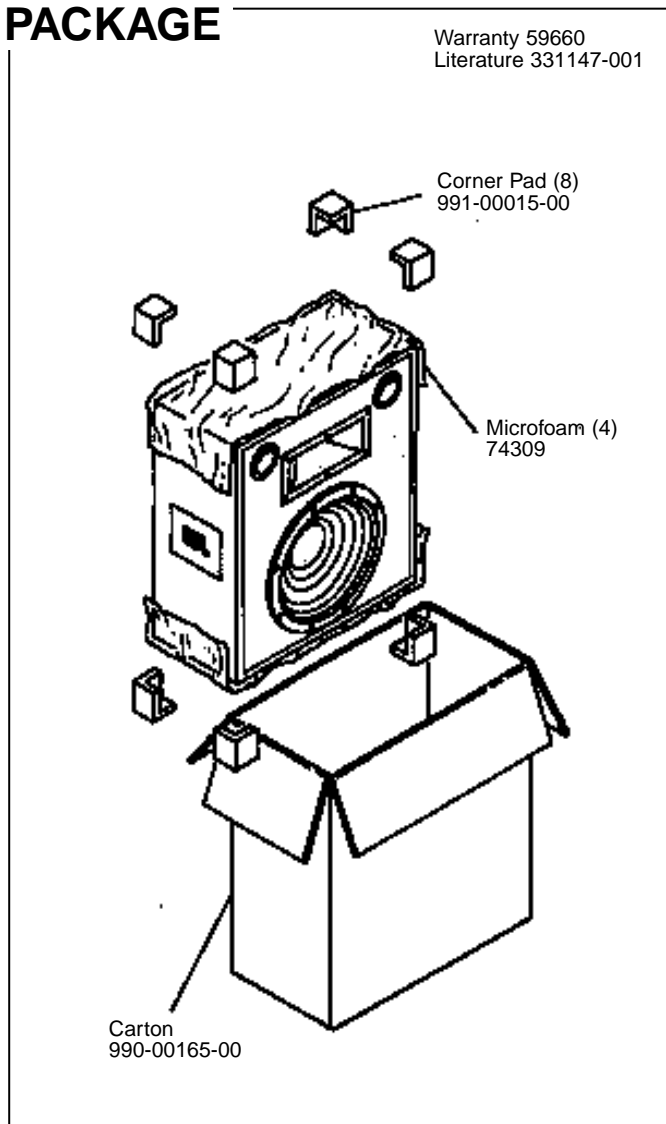
- Enclosure Dimensions: 765mm x 651mm x 292mm D (30.12 x 25.62 x 11.5 in. D)
- Shipping Weight: 86 lbs. (32 kg.)

WARRANTY INFORMATION:

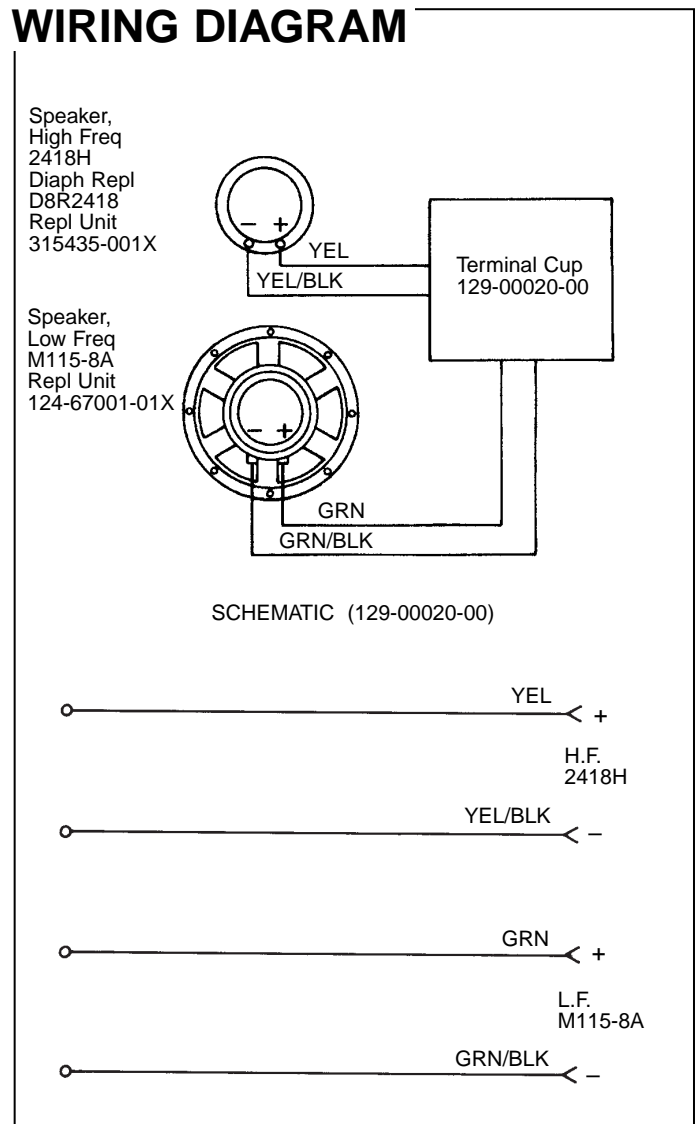
- Refer to Warranty Statement packed with each product.

*1 Watt (2.83 V RMS) @ 1 Meter

PACKAGE



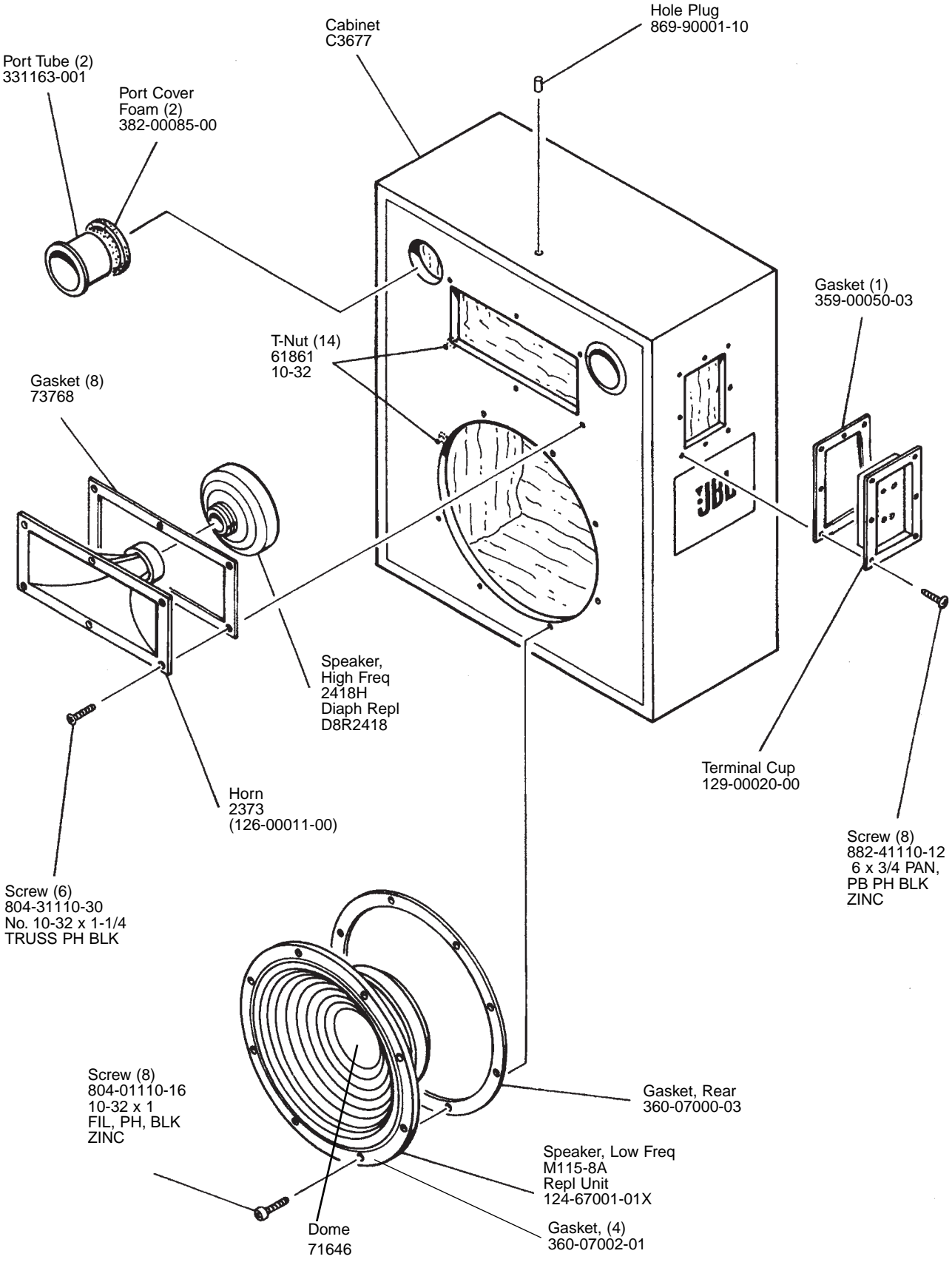
WIRING DIAGRAM



JBL 3677S REV F

JBL 3677S

COMPONENT EXPLODED VIEW



JBL 3677S