

Technical Manual

JBL3677

SPECIFICATIONS



ACOUSTIC & ELECTRICAL SPECIFICATIONS:

- Nominal Impedance: 8 ohm
- Power Capacity: 250W Continuous Pink Noise IEC Standard
- Frequency Range: 40 Hz to 20 kHz (-10dB)
- Sensitivity: 99 dB SPL*
- Crossover Frequency: 1.2 kHz

SYSTEM COMPONENTS:

- Cabinet: C3677
- Grille: None
- Low Frequency Transducer: 380mm (15 in.) Cone Transducer (2035HPL)
- DC Resistance: 3.9 ohm ±10% Aluminum Wire

SYSTEM COMPONENTS: (cont'd)

- High Frequency Transducer: 25mm (1 in.) Pure Titanium Compression Driver (2416H-1)
- DC Resistance: 3.2 ohm ±8% Aluminum Wire
- Crossover Network: (331151-001)

AURAL SWEEP TEST SPECIFICATIONS:

- A. System Aural Sweep Test: 7.0V Input, 20 Hz to 20 kHz
- B. L.F. Aural Sweep Test: 7.0V Input, 20 Hz to 1.2 kHz
- C. H.F. Aural Sweep Test: 2.83V Input, 550 Hz to 1.2 kHz

PHYSICAL SPECIFICATIONS:

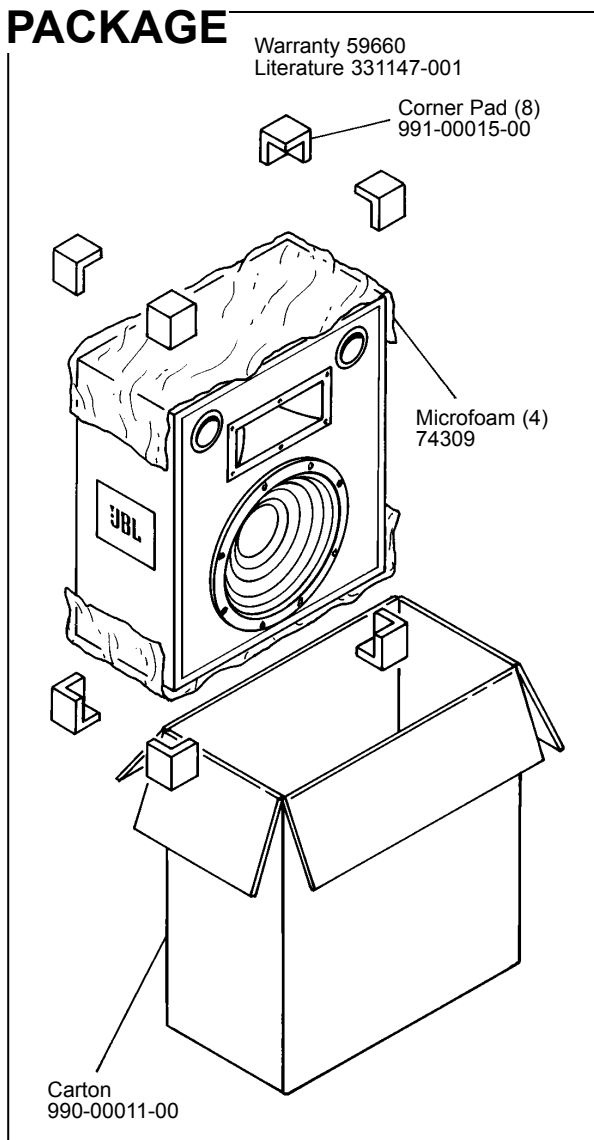
- Enclosure Dimensions: 765mm x 651mm x 292mm D (30.12 x 25.62 x 11.5 in. D)
- Shipping Weight: 93 lbs. (42 kg.)

WARRANTY INFORMATION:

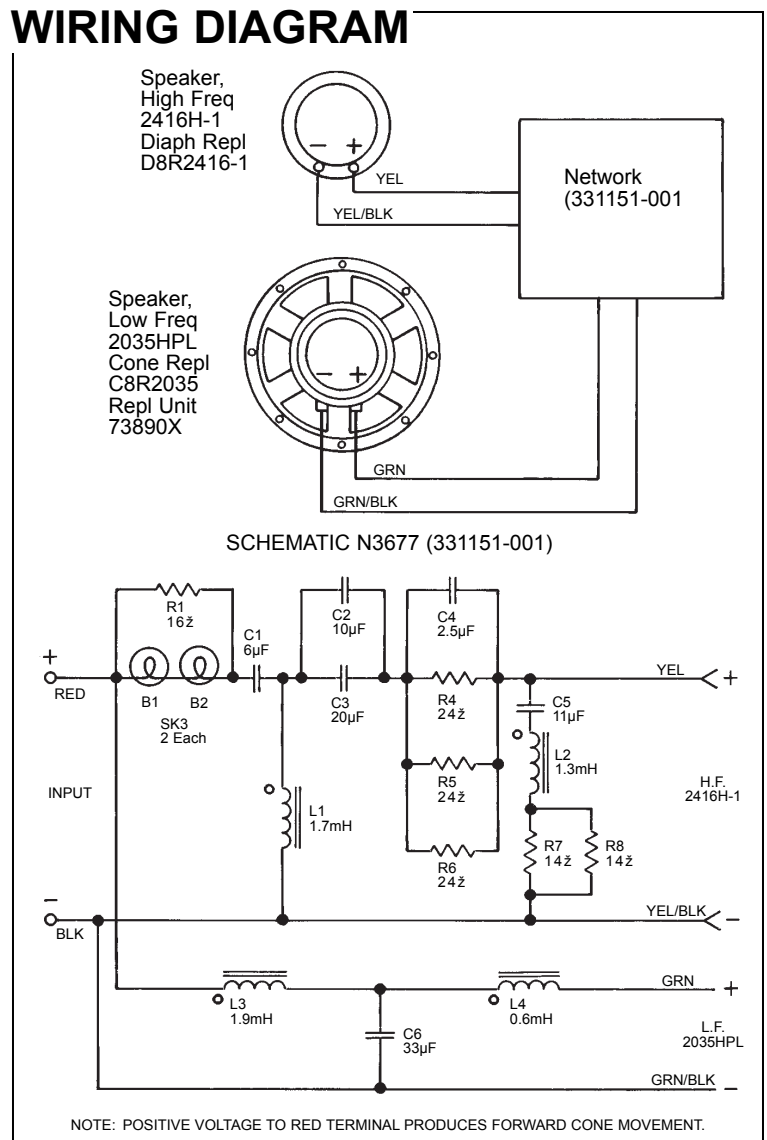
- Refer to Warranty Statement packed with each product.

*1 Watt (2.83 V RMS) @ 1 Meter

PACKAGE



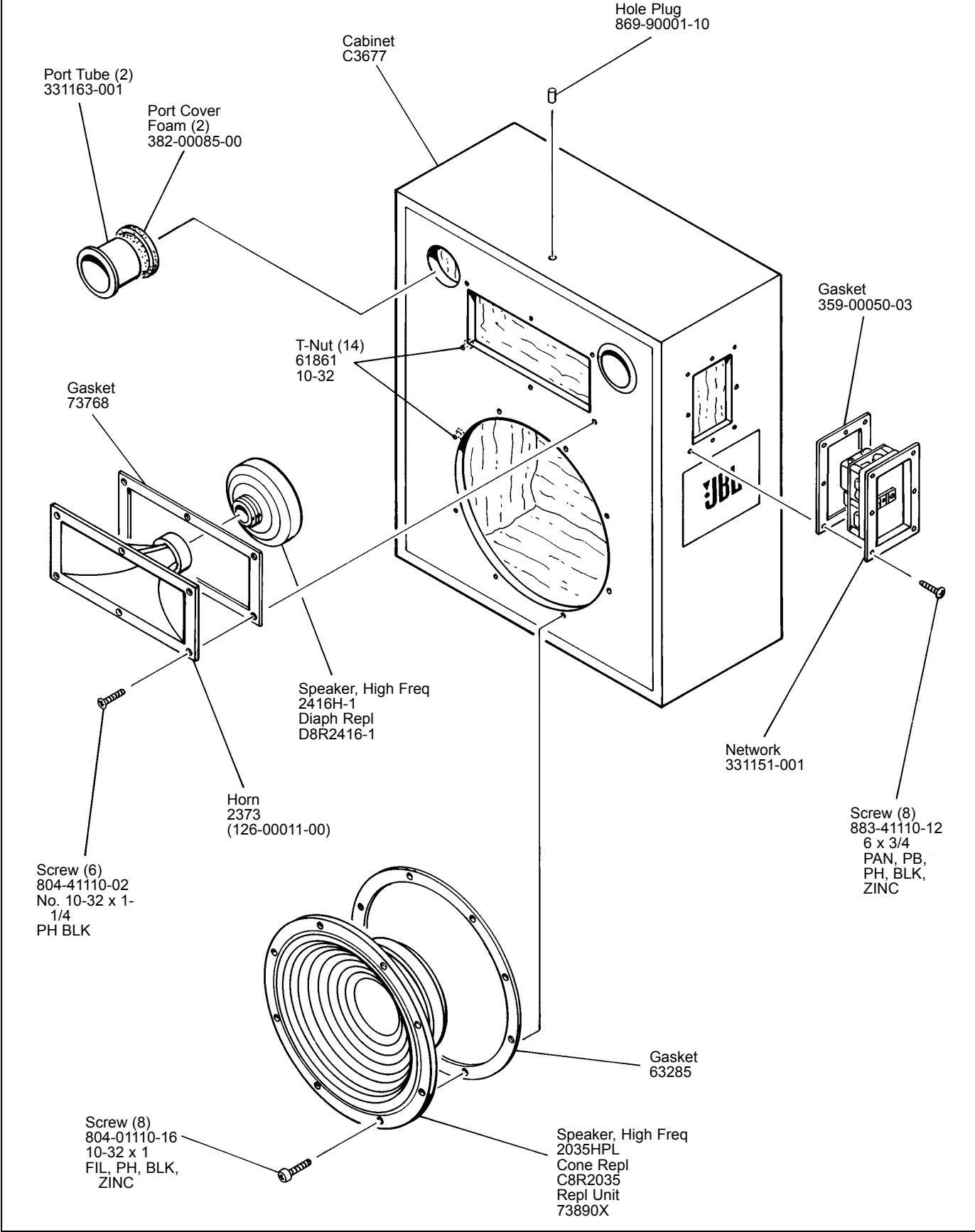
WIRING DIAGRAM



JBL3677 REV F

JBL3677

COMPONENT EXPLODED VIEW



JBL3677