

Technical Manual

JBL3639

SPECIFICATIONS



ACOUSTIC & ELECTRICAL SPECIFICATIONS:

- Nominal Impedance: 4 ohms
- Power Capacity: 400W
- Frequency Range: 30 Hz – 1.3 kHz
- Sensitivity: 101 dB 2V @ 1 Meter
- Crossover Frequency: N/A

SYSTEM COMPONENTS:

- Cabinet: 4509
- Low Frequency Transducer: 380mm (15 in.) M115-8A Cone Transducer (2) (124-67001-01X)
- DC Resistance: 5.3 ohms

SYSTEM COMPONENTS: (Cont'd)

- Terminal Cup: 396-00013-00

AURAL SWEEP TEST SPECIFICATIONS:

- A. System Aural Sweep Test: 7.0V Input, 500 Hz to 1.2 kHz
- B. L.F. Aural Sweep Test: 7.0V Input, 10 Hz to 2 kHz

PHYSICAL SPECIFICATIONS:

- Enclosure Dimensions: 883mm x 762mm x 450mm D (34.75 x 30.0 x 17.75 in. D)
- Shipping Weight: 142 lbs. (64.5 kg.)

WARRANTY INFORMATION:

- Refer to Warranty Statement packed with each product.

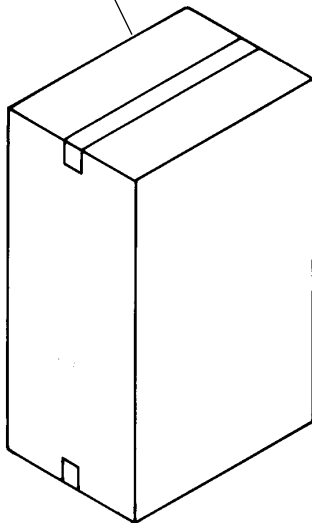
PACKAGE

Warranty 59660

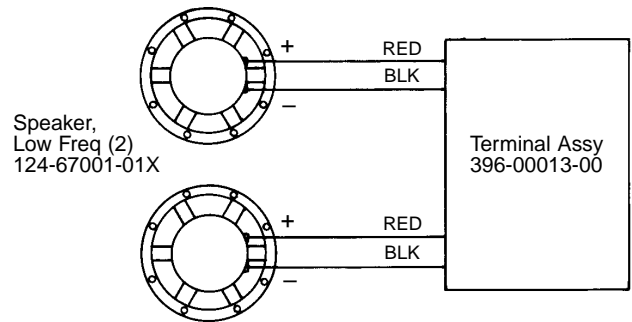
Filler (2)
991-00212-00

Microfoam (8)
49790P

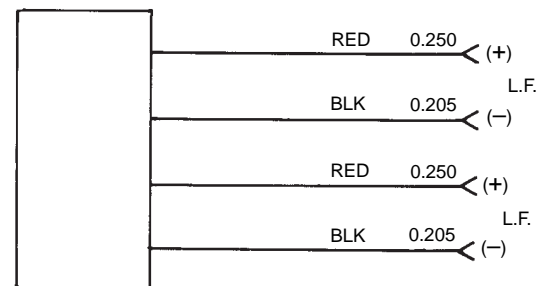
Carton, 4639
990-00207-00



WIRING DIAGRAM



TERMINAL CUP (396-00013-00)



JBL3639

COMPONENT EXPLODED VIEW

