

# Technical Manual

# JBL3632-M/HF-T



## SPECIFICATIONS

### ACOUSTIC & ELECTRICAL SPECIFICATIONS:

- System: [3632-BI Specifications in Brackets]
- Frequency Range: 30Hz – 20kHz
- Frequency Response: 40Hz – 16kHz ( $\pm 3$  dB)
- System Sensitivity: 104 dB, 2.83V @ 1m (3.3 ft)
- Rated Maximum SPL: 126 dB @ 1m (3.3 ft), 129 dB peak
- System Input Power Rating: 600 watts [LF: 500 watts, M/HF: 150 watts, HF: 50 watts]
- Crossover Frequencies: 350 Hz, 1.2 kHz

### SYSTEM COMPONENTS:

- Model 3632-M/HF-T
- Mid Frequency Transducer: 2 x 165H; 165mm (6.5 in) dia., 38mm (1.5 in) Voice Coil
- DC Resistance: 5.8 ohm  $\pm 10\%$
- High Frequency Transducer: 2418H-1; 44mm (1.75 in) Titanium Diaphragm and Voice Coil dia., 25mm (1 in) exit dia.

### SYSTEM COMPONENTS: (Cont'd)

- DC Resistance: 3.2 ohm  $\pm 8\%$  Aluminum Wire
- Crossover Network: 129-20070-00

### AURAL SWEEP TEST SPECIFICATIONS:

- A. System Aural Sweep Test: 5.0V Input, 20 Hz to 20 kHz
- B. M.F. Aural Sweep Test: 5.0V Input, 100 Hz to 5 kHz
- C. H.F. Aural Sweep Test: 2.83V Input, 550 Hz to 20 kHz

### PHYSICAL SPECIFICATIONS:

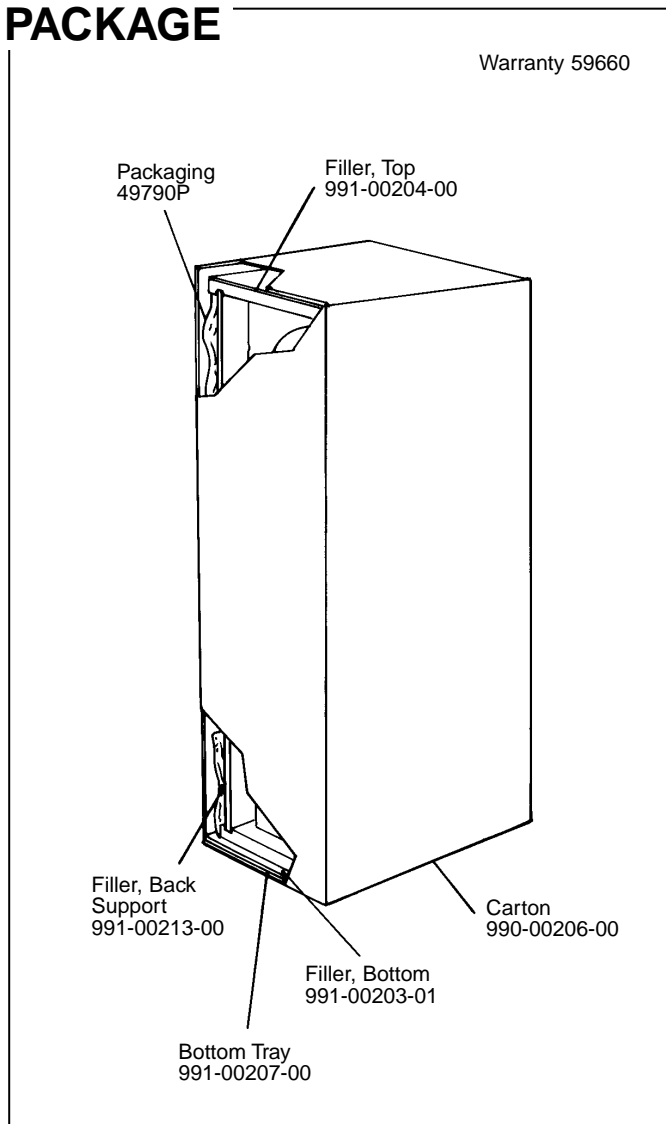
- Enclosure Dimensions: 1937mm x 762mm x 450mm D (76.3 x 30.0 x 17.75 in. D)

- SHIPPING WEIGHT: 248 lbs. (112.5 kg.)

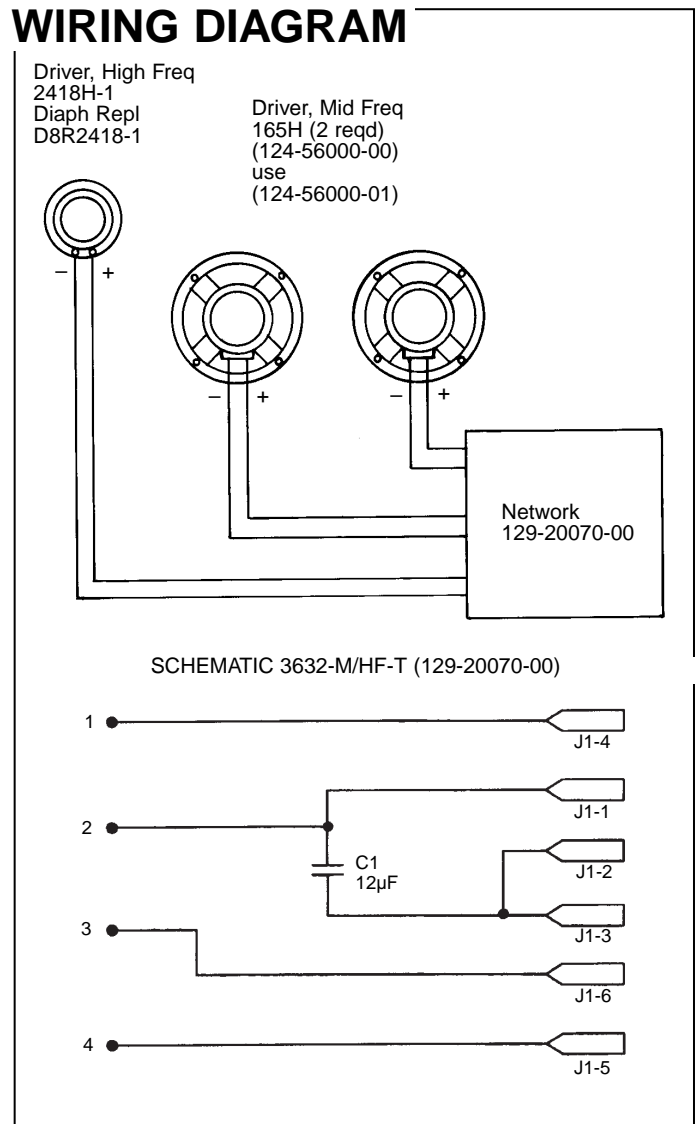
### WARRANTY INFORMATION:

- Refer to Warranty Statement packed with each product.

## PACKAGE



## WIRING DIAGRAM



JBL3632-M/HF-T REV 0

# JBL3632-M/HF-T

## COMPONENT EXPLODED VIEW

