

Technical Manual

JBL DMS-1H



SPECIFICATIONS

ACOUSTIC & ELECTRICAL SPECIFICATIONS:

- Nominal Impedance: 8 ohm each transducer
- Power Capacity: 75W AES High, 400W AES Low, each
- Frequency Range: 30 Hz to 20 kHz (± 3 dB)
- Sensitivity: 95 dB SPL*
- Crossover Frequency: 1 kHz

SYSTEM COMPONENTS:

- Cabinet: CDMS-1H
- Grille: N/A
- Low Frequency Transducer: 355mm (14 in.) Cone Transducer (1401Nd) (2)
- DC Resistance: 4.1 ohm

SYSTEM COMPONENTS: (cont'd)

- High Frequency Transducer: 100mm (4 in.) Pure Titanium (2450SL-A)
- DC Resistance: 4.0 ohm $\pm 8\%$ Aluminum Wire
- Crossover Network: N/A

AURAL SWEEP TEST SPECIFICATIONS:

- A. System Aural Sweep Test:
 - B. L.F. Aural Sweep Test:
 - C. H.F. Aural Sweep Test:
- } Factory Service Only

PHYSICAL SPECIFICATIONS:

- Enclosure Dimensions: 902mm x 563mm x 500mm D (36.0 x 23.0 x 20.75 in. D)

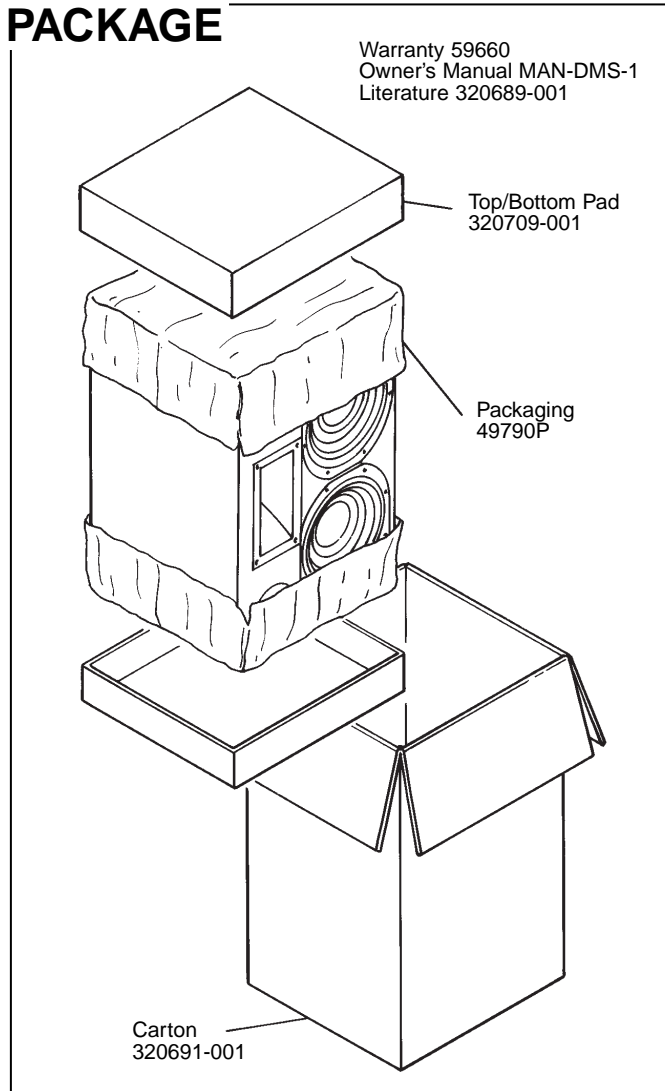
SHIPPING WEIGHT: 120 lbs. (50 kg.)

WARRANTY INFORMATION:

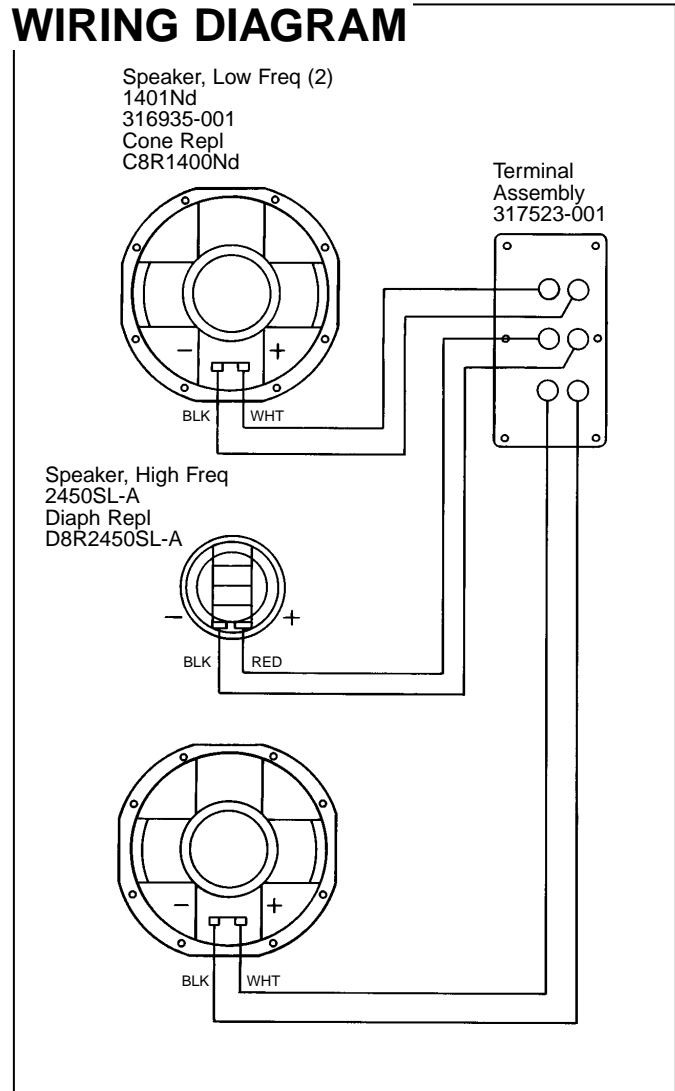
- Refer to the Warranty Statement packed with each product.

*1 Watt (2.83 V RMS) @ 1 Meter

PACKAGE



WIRING DIAGRAM



JBL DMS-1H

COMPONENT EXPLODED VIEW

