

# Technical Manual

# JBL4435 L,R STUDIO MONITOR

## SPECIFICATIONS



### ACOUSTIC & ELECTRICAL SPECIFICATIONS:

- Nominal Impedance: 8 ohm
- Power Capacity: 375W, Pink Noise
- Frequency Range: 30 Hz to 16 kHz ( $\pm 3$  dB)
- Sensitivity: 90 dB SPL\*
- Crossover Frequencies: 1 kHz

### SYSTEM COMPONENTS:

- Cabinet: C4435
- Grille: G4435 (61274)
- Low Frequency Transducer: 380mm (15 in.) Cone Transducer (2234H) (2)
- DC Resistance: 6.0 ohm  $\pm 10\%$  — Aluminum Wire
- High Frequency Transducer: 44mm (1-3/4 in.) Titanium Compression Driver (2426H)
- DC Resistance: 3.2 ohm  $\pm 8\%$  — Aluminum Wire
- Crossover Network: 61461 2 Way System

### AURAL SWEEP TEST SPECIFICATIONS:

- A. System Aural Sweep Test: 7.0V Input, 20 Hz to 20 kHz
- B. L.F. Aural Sweep Test: 10.0V Input, 20 Hz to 1.2 kHz
- C. H.F. Aural Sweep Test: 2.83V Input, 550 Hz to 1.2 kHz

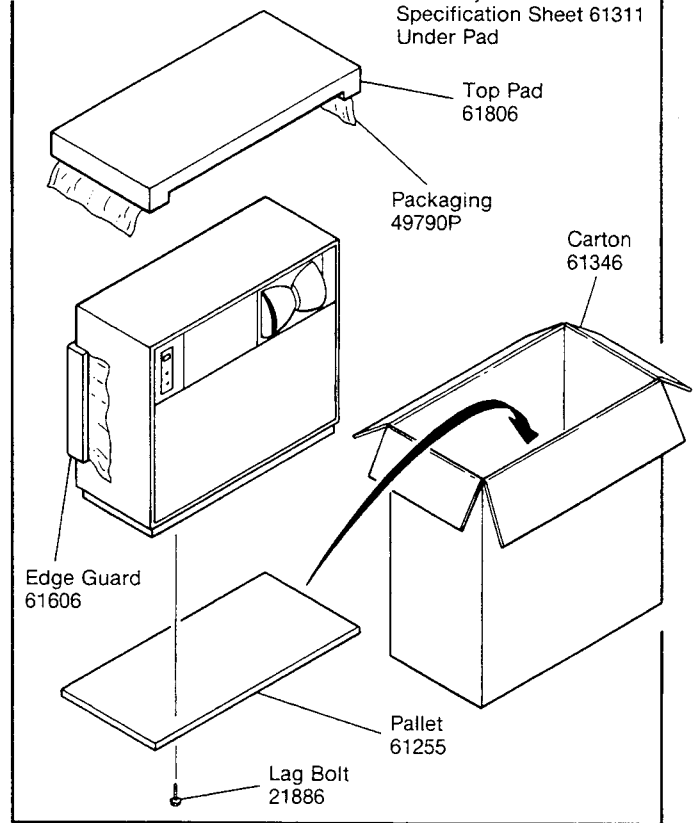
### PHYSICAL SPECIFICATIONS:

- Enclosure Dimensions: 908mm x 965mm x 435mm D (35.75 x 38.0 x 17.12 in. D)
- Shipping Weight: 250 lbs. (113.4 kg)

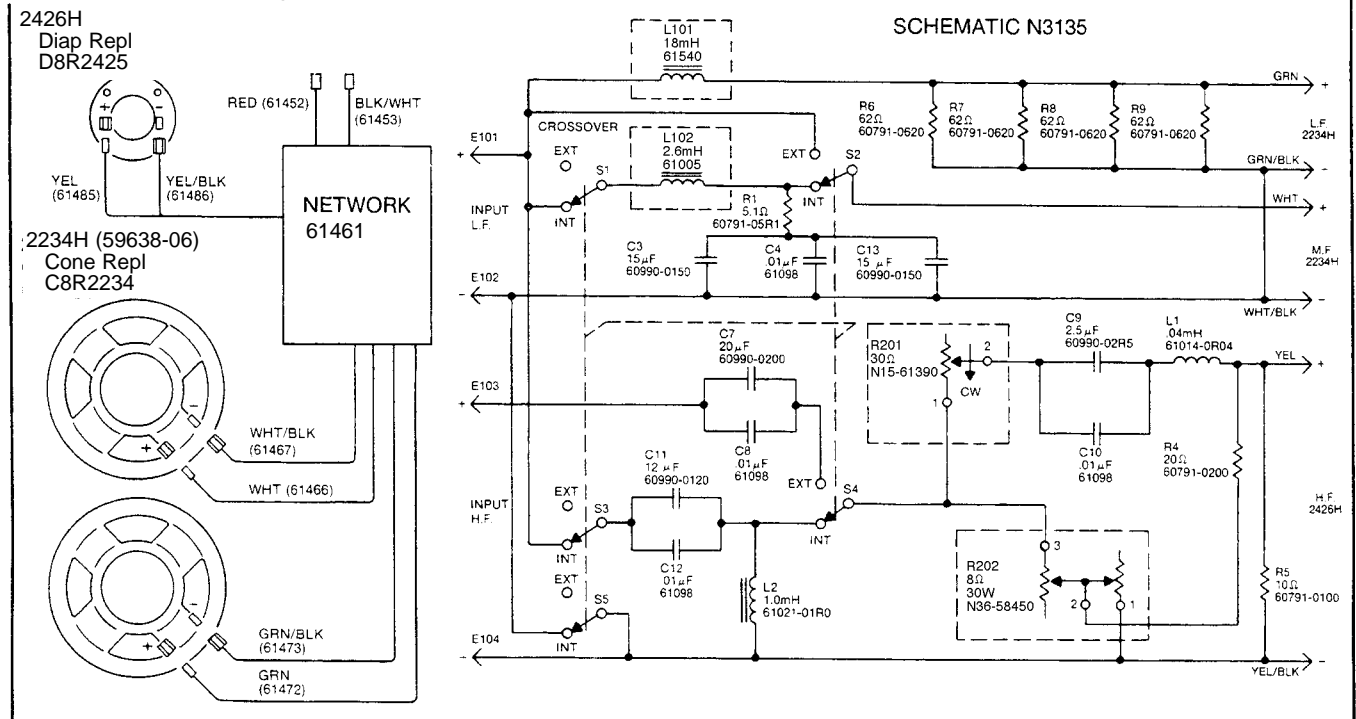
### WARRANTY INFORMATION:

- Refer to the Warranty Statement packed with each product.
- \*1 Watt (2.83 V RMS) @ 1 Meter

## PACKAGE



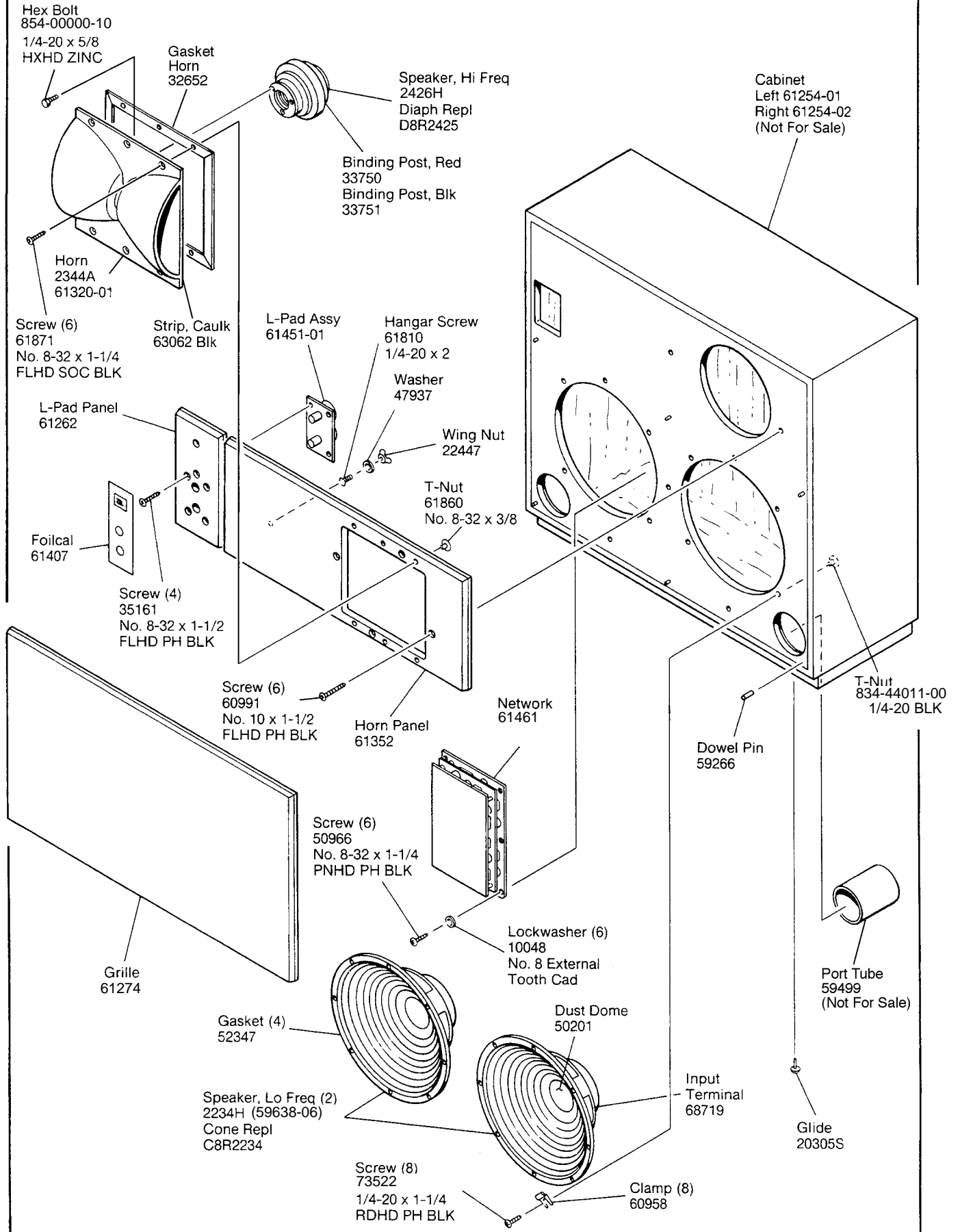
## WIRING DIAGRAM



JBL4435 L,R REV P

# JBL4435 L,R

## COMPONENT EXPLODED VIEW



JBL4435 L,R