

Technical Manual

JBL4412 L,R STUDIO MONITOR



SPECIFICATIONS

ACOUSTIC & ELECTRICAL SPECIFICATIONS:

- Nominal Impedance: 8 ohm
- Power Rating: 150W, Pink Noise
- Frequency Response: 45 Hz to 20 kHz (± 2 dB)
- Sensitivity: 90 dB SPL*
- Crossover Frequencies: 800 Hz & 4.5 kHz

SYSTEM COMPONENTS:

- Cabinet: C4412
- Grille: 66961
- Low Frequency Transducer: 300mm (12 in.) Aquaplas Laminate Cone Transducer (128H-1)
- DC Resistance: 5.7 ohm $\pm 10\%$ — Copper Wire
- Mid Range Transducer: 125mm (5 in.) Felted Paper Cone Transducer (104H-2)
- DC Resistance: 4.2 ohm $\pm 10\%$ — Copper Wire

*1 Watt (2.83 V RMS) @ 1 Meter

SYSTEM COMPONENTS: (cont'd)

- High Frequency Transducer: 25mm (1 in.) Pure Titanium Dome Transducer (035Ti)
- DC Resistance: 3.5 to 4.2 ohm — Copper Wire
- Crossover Network: 66953-0062 2 Way System

AURAL SWEEP TEST SPECIFICATIONS:

- A. System Aural Sweep Test: 7.0V Input, 20 Hz to 20 kHz
- B. L.F. Aural Sweep Test: 6.0V Input, 20 Hz to 1.2 kHz
- C. M.F. Aural Sweep Test: 4.0V Input, 75 Hz to 12 kHz
- D. H.F. Aural Sweep Test: 2.0V Input, 2.0 kHz to 20 kHz

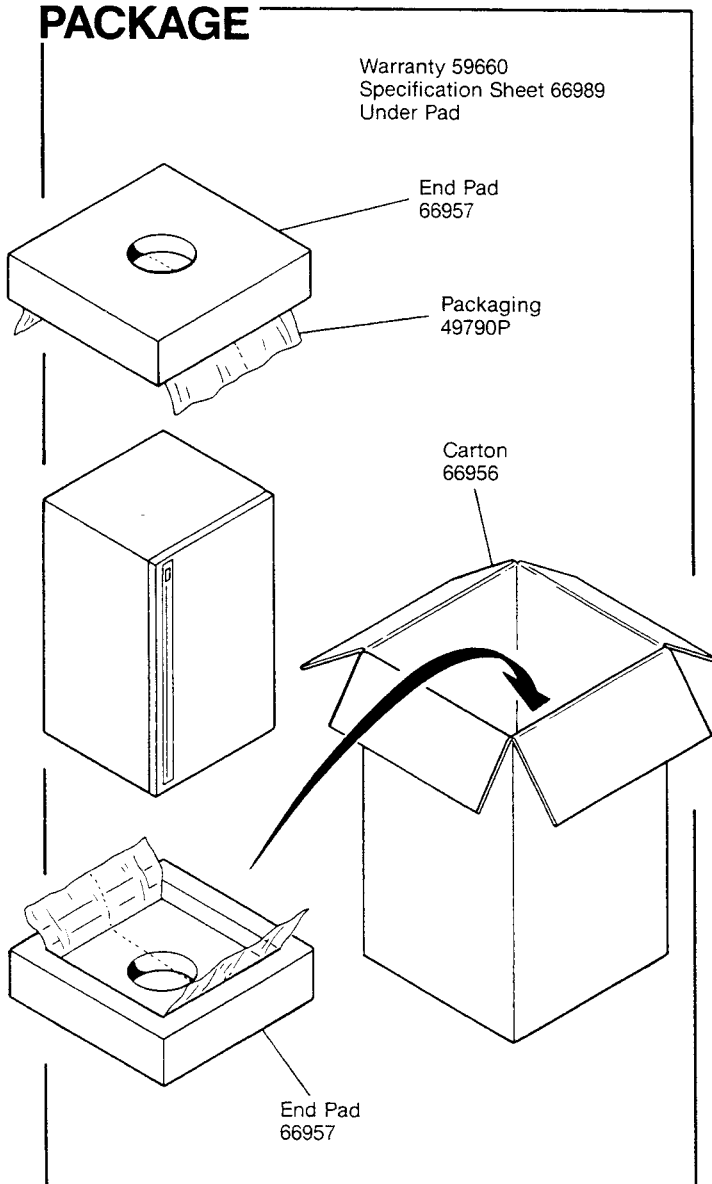
PHYSICAL SPECIFICATIONS:

- Enclosure Dimensions: 362mm x 597mm x 286mm D (23.5 x 14.25 x 11.25 in. D)
- Shipping Weight: 53 lbs. (24 kg)

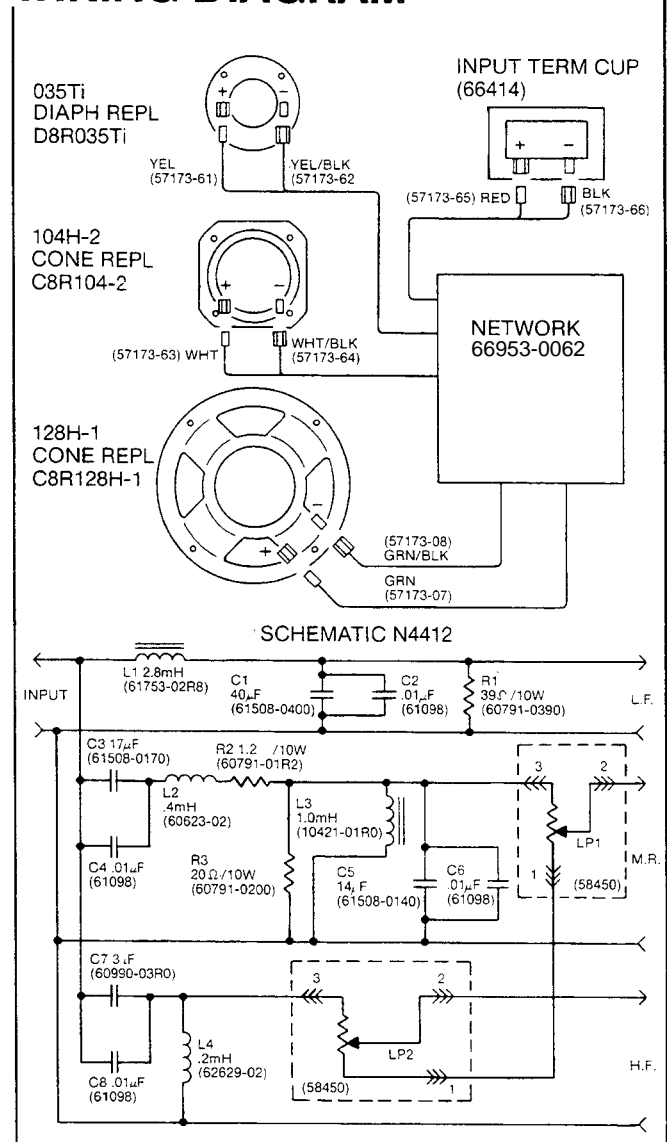
WARRANTY INFORMATION:

- Refer to the Warranty Statement packed with each product.

PACKAGE



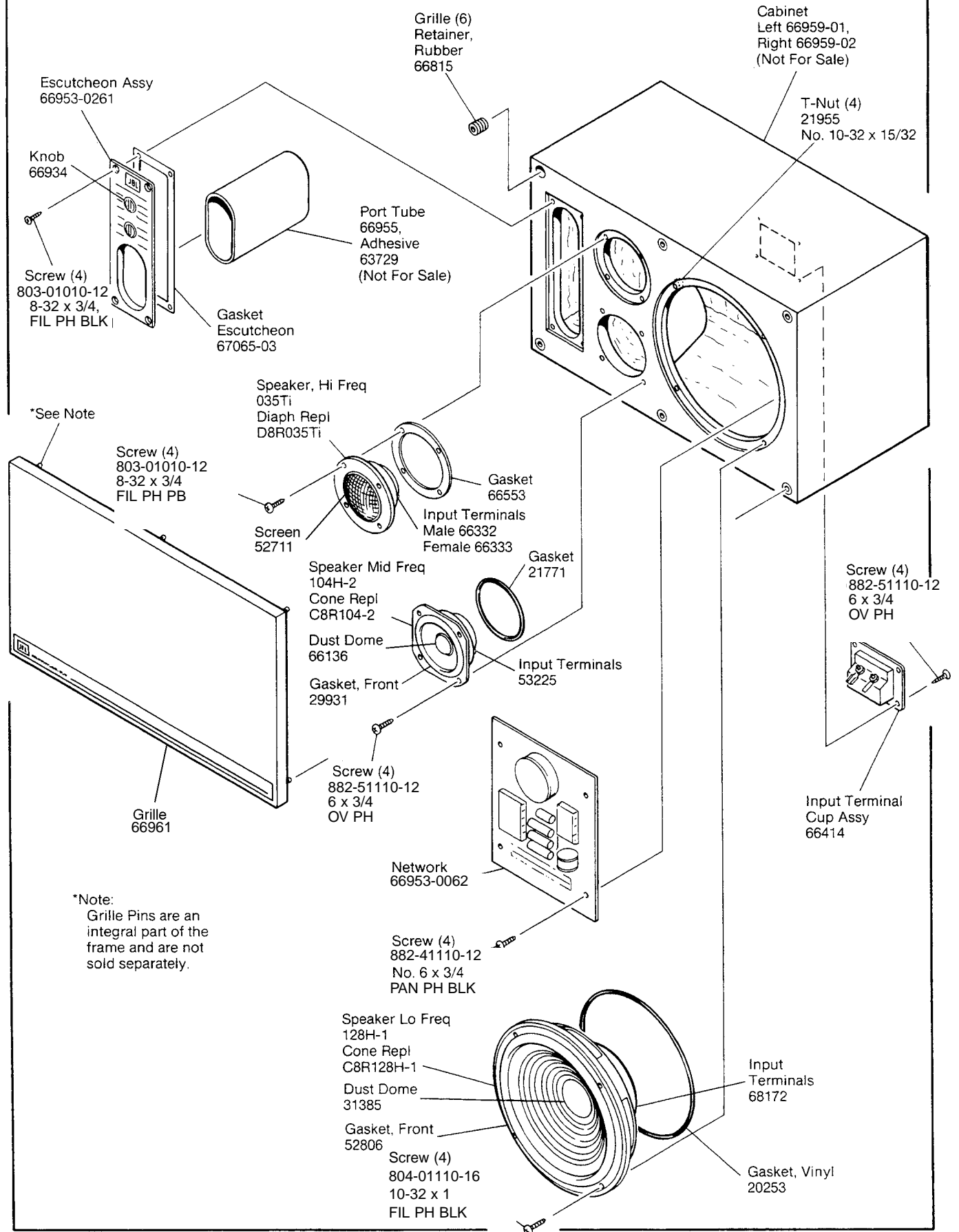
WIRING DIAGRAM



JBL4412 L,R REV H

JBL4412 L,R

COMPONENT EXPLODED VIEW



JBL4412 L,R