

Technical Manual

JBL4412A L,R STUDIO MONITOR SPECIFICATIONS



ACOUSTIC & ELECTRICAL SPECIFICATIONS:

- Nominal Impedance: 8 ohm
- Power Capacity: 150W, Pink Noise
- Frequency Range: 30 Hz to 30 kHz (-10 dB)
- Sensitivity: 89 dB SPL*
- Crossover Frequencies: 850 Hz & 4.0 kHz

SYSTEM COMPONENTS:

- Cabinet: C4412A L,R
- Grille: G4412A (66961-01)
- Low Frequency Transducer: 300mm (13 in.) Aquaplas Laminate Cone Transducer (128H-1)
- DC Resistance: 5.7 ohm ±10% Copper Wire
- Mid Range Transducer: 125mm (5 in.) Felted Paper Cone Transducer (104H-2)
- DC Resistance: 4.2 ohm ±10% Aluminum Wire

*1 Watt (2.83 V RMS) @ 1 Meter

SYSTEM COMPONENTS: (cont'd)

- High Frequency Transducer: 25mm (1 in.) Pure Titanium Dome (052Ti)
- DC Resistance: 3.9 ohm ±1% Copper Wire
- Crossover Network: N4412A, 3 Way System (74853)

AURAL SWEEP TEST SPECIFICATIONS:

- A. System Aural Sweep Test: 7.0V Input, 20 Hz to 20 kHz
- B. L.F. Aural Sweep Test: 6.0V Input, 20 Hz to 1.2 kHz
- C. M.F. Aural Sweep Test: 4.0V Input, 550 Hz to 1.2 kHz
- D. H.F. Aural Sweep Test: 2.0V Input, 550 Hz to 10 kHz

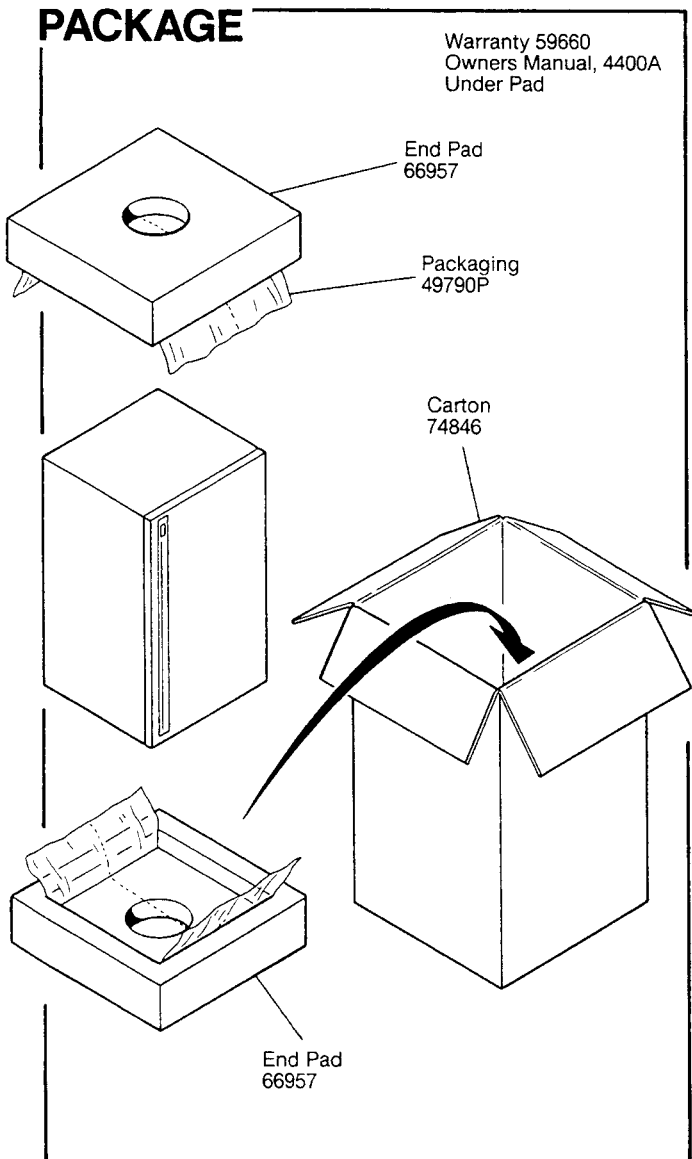
PHYSICAL SPECIFICATIONS:

- Enclosure Dimensions: 362mm x 597mm x 299mm D (14.25 x 23.5 x 11.76 in. D)
- Shipping Weight: 53 lbs. (24 kg.)

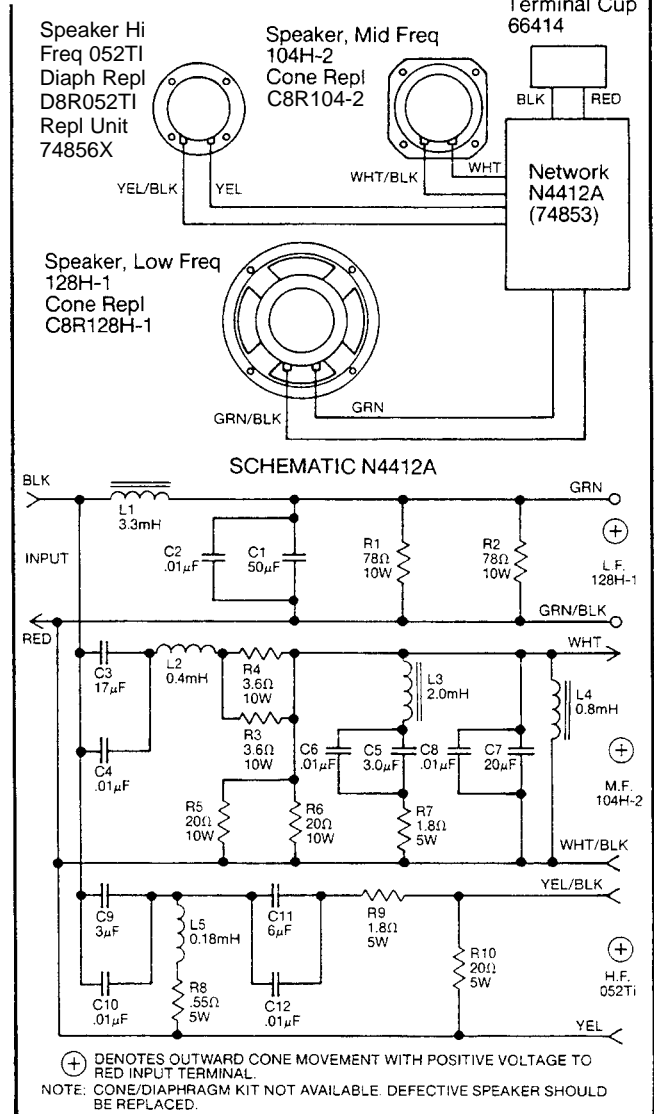
WARRANTY INFORMATION:

- Refer to the Warranty Statement packed with each product.

PACKAGE



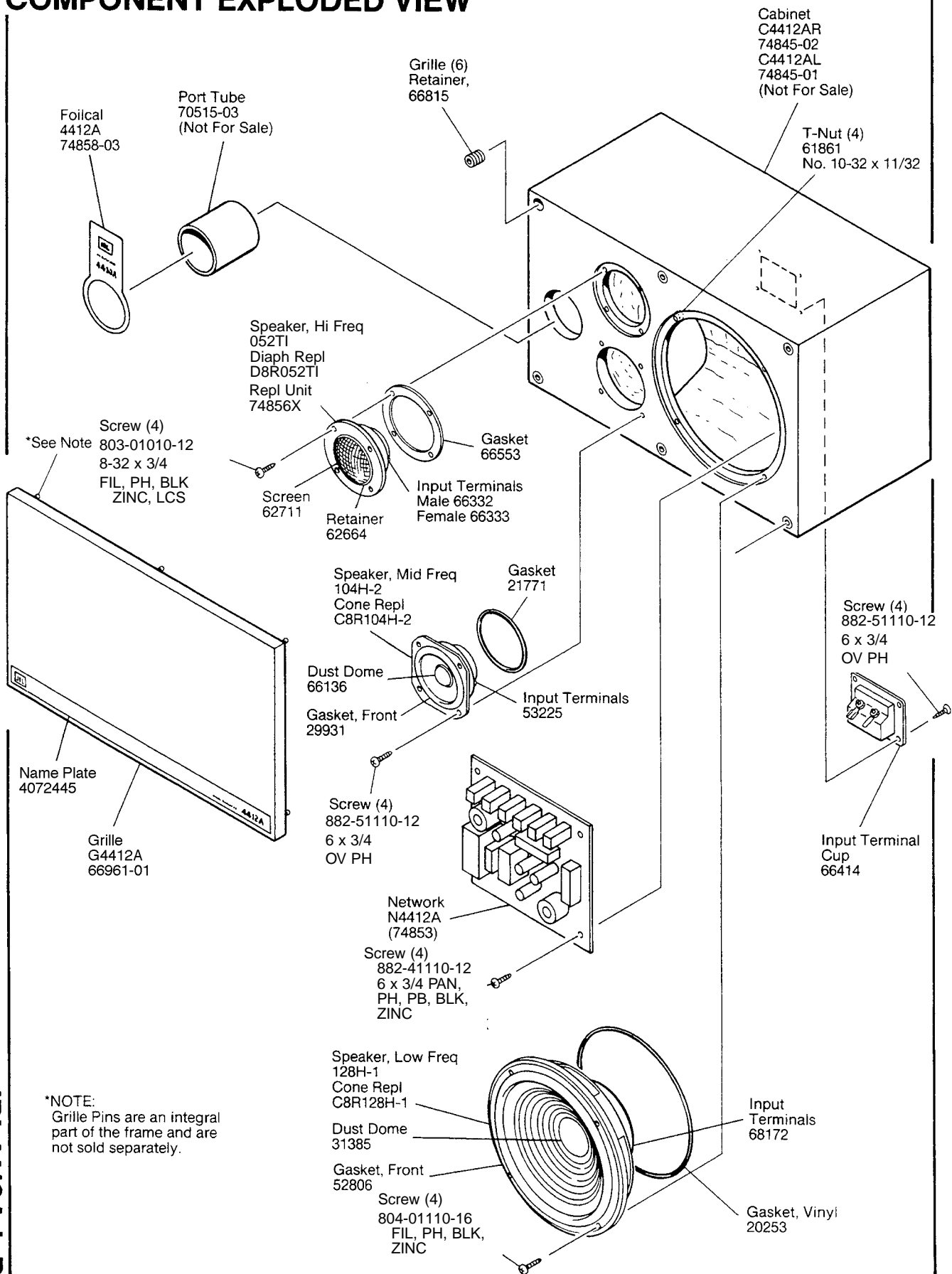
WIRING DIAGRAM



JBL4412A L,R REV J

JBL4412A L,R

COMPONENT EXPLODED VIEW



JBL4412A L,R