

Technical Manual

JBL4410A L,R STUDIO MONITOR SPECIFICATIONS



ACOUSTIC & ELECTRICAL SPECIFICATIONS:

- Nominal Impedance: 8 ohm
- Power Capacity: 125W, Pink Noise
- Frequency Range: 33 Hz to 30 kHz (-10 db)
- Sensitivity: 90 dB SPL*
- Crossover Frequencies: 900 Hz & 4.0 kHz

SYSTEM COMPONENTS:

- Cabinet: C4410A L,R
- Grille: 66952-01
- Low Frequency Transducer: 250mm (10 in.) Aquaplas Laminate Cone Transducer (127H-1)
- DC Resistance: 6.0 ohm \pm 10% Copper Wire
- Mid Range Transducer: 125mm (5 in.) Felted Paper Cone Transducer (104H-2)
- DC Resistance: 4.2 ohm \pm 10% Aluminum Wire

*1 Watt (2.83 V RMS) @ 1 Meter

SYSTEM COMPONENTS: (cont'd)

- High Frequency Transducer: 25mm (1 in.) Pure Titanium Dome (052Ti)
- DC Resistance: 3.9 ohm \pm 1% Copper Wire
- Crossover Network: 74852 3 Way System

AURAL SWEEP TEST SPECIFICATIONS:

- A. System Aural Sweep Test: 7.0V Input, 20 Hz to 20 kHz
- B. L.F. Aural Sweep Test: 6.0V Input, 20 Hz to 1.2 kHz
- C. M.F. Aural Sweep Test: 4.0V Input, 550 Hz to 1.2 kHz
- D. H.F. Aural Sweep Test: 2.0V Input, 550 Hz to 20 kHz

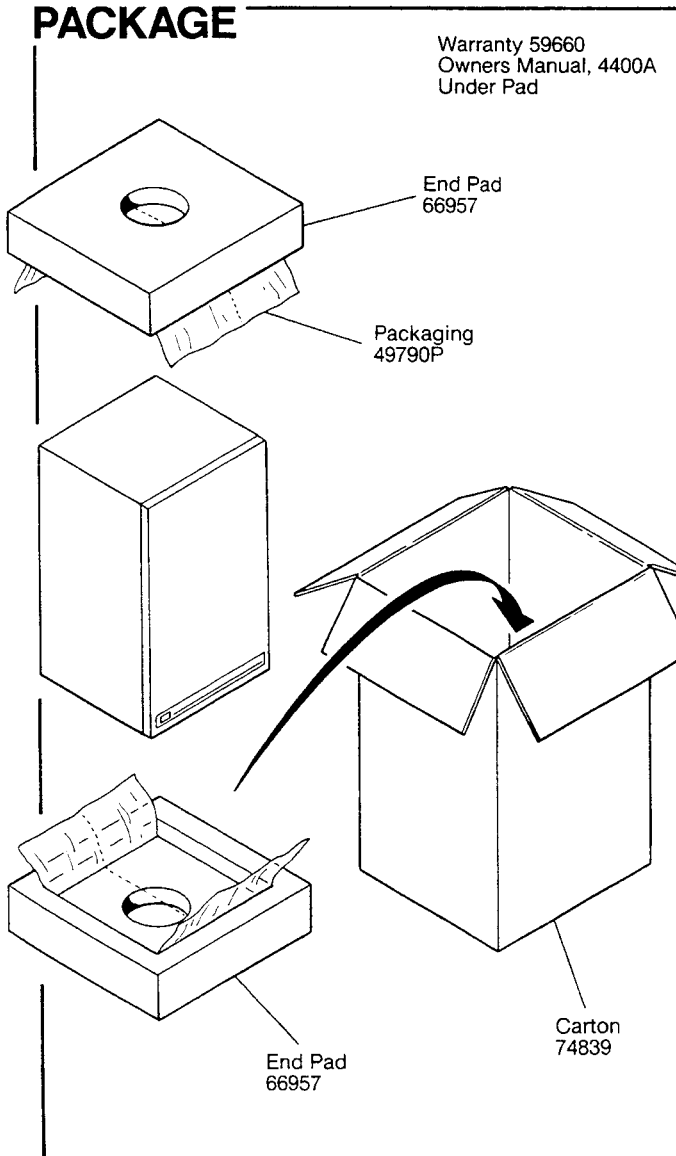
PHYSICAL SPECIFICATIONS:

- Enclosure Dimensions: 597mm x 362mm x 299mm D (23.5 x 14.25 x 11.76 in. D)
- Shipping Weight: 50 lbs. (23 kg.)

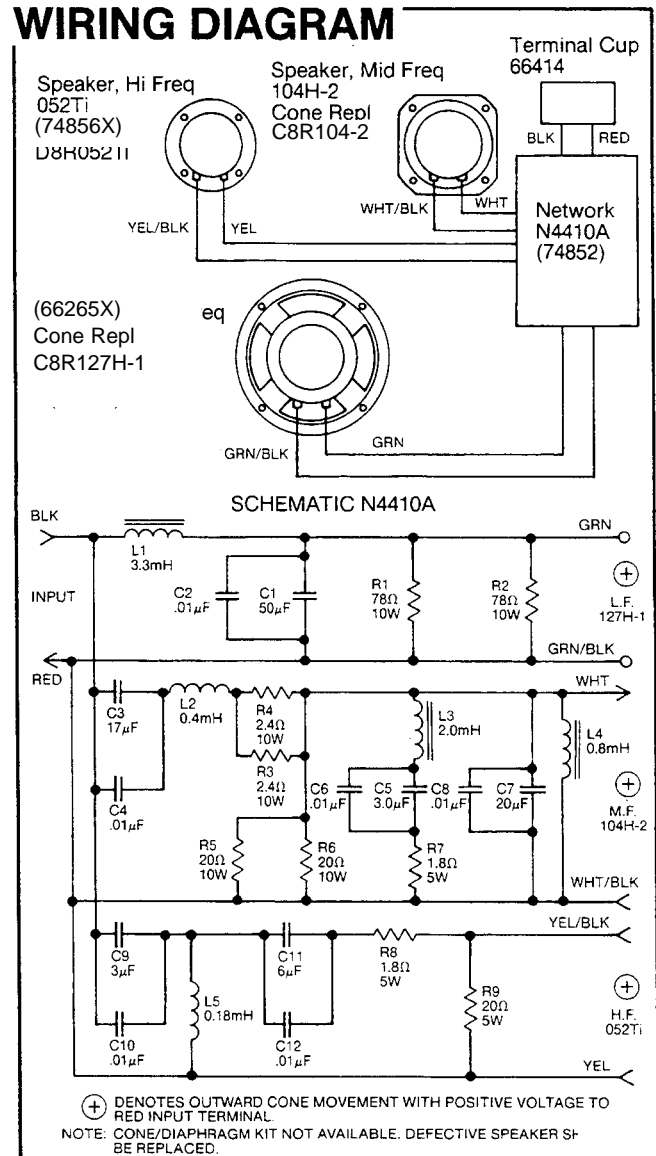
WARRANTY INFORMATION:

- Refer to the Warranty Statement packed with each product.

PACKAGE



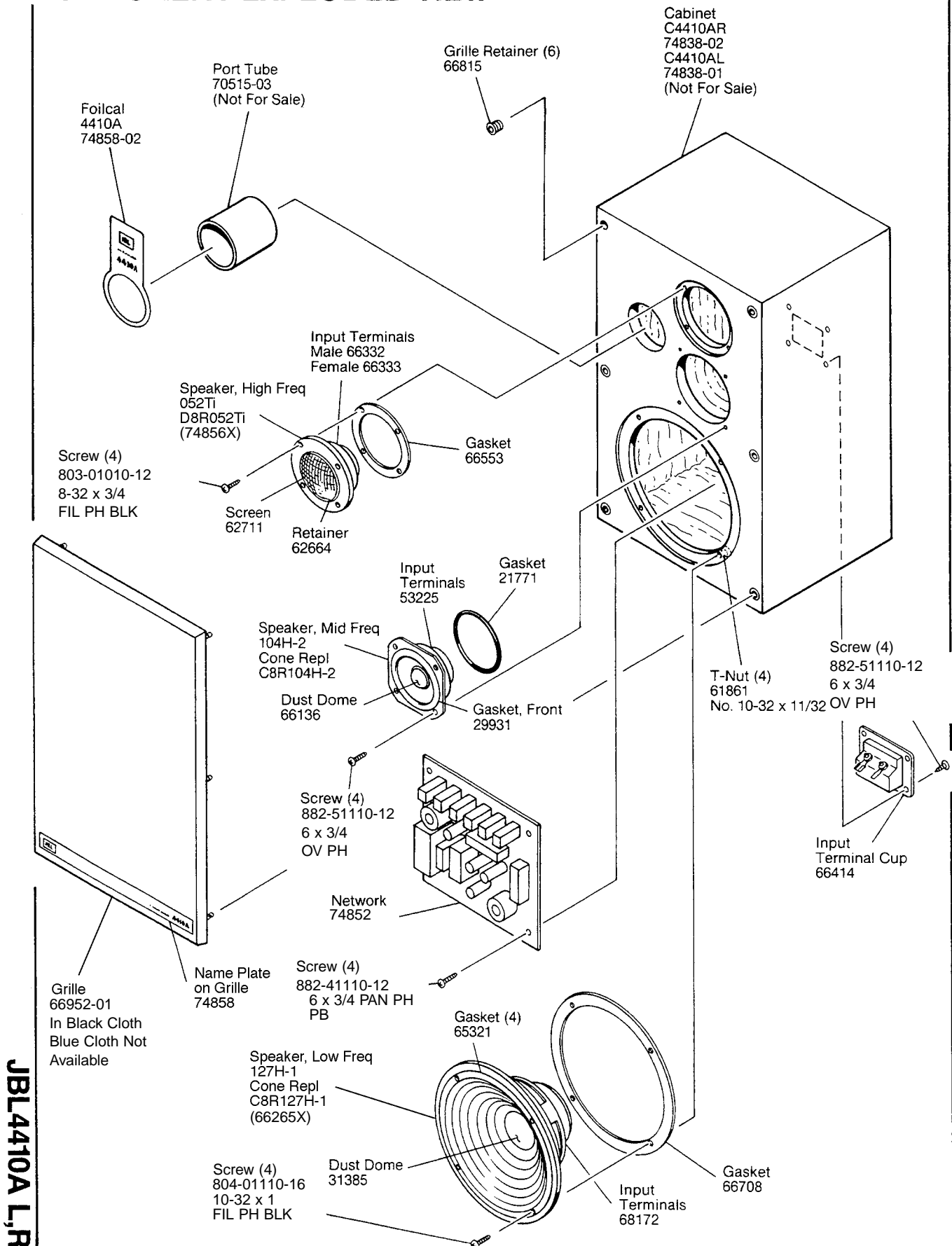
WIRING DIAGRAM



JBL4410A L,R REV K

JBL4410A L,R

COMPONENT EXPLODED VIEW



JBL4410A L,R