

Technical Manual

JBL4408AL,R-1 STUDIO MONITOR

SPECIFICATIONS



ACOUSTIC & ELECTRICAL SPECIFICATIONS:

- Nominal Impedance: 8 ohm
- Power Capacity: 100W, Pink Noise
- Frequency Range: 35 Hz to 30 kHz (-10 dB)
- Sensitivity: 89 dB SPL*
- Crossover Frequencies: 2.5 kHz

SYSTEM COMPONENTS:

- Cabinet: C4408A L,R
- Grille: 66942-01
- Low Frequency Transducer: 200mm (8.0 in.) Felted Cone (116H-3)
- DC Resistance: 4.25 ohm ±10% Copper Wire

SYSTEM COMPONENTS: (cont'd)

- High Frequency Transducer: 25mm (1 in.) Pure Titanium Dome (052Ti)
- DC Resistance: 3.9 ohm ±1% Copper Wire
- Crossover Network: 74851 2 Way System

AURAL SWEEP TEST SPECIFICATIONS:

- A. System Aural Sweep Test: 7.0V Input, 20 Hz to 20 kHz
- B. L.F. Aural Sweep Test: 6.0V Input, 20 Hz to 1.2 kHz
- C. H.F. Aural Sweep Test: 2.0V Input, 550 Hz to 10 kHz

PHYSICAL SPECIFICATIONS:

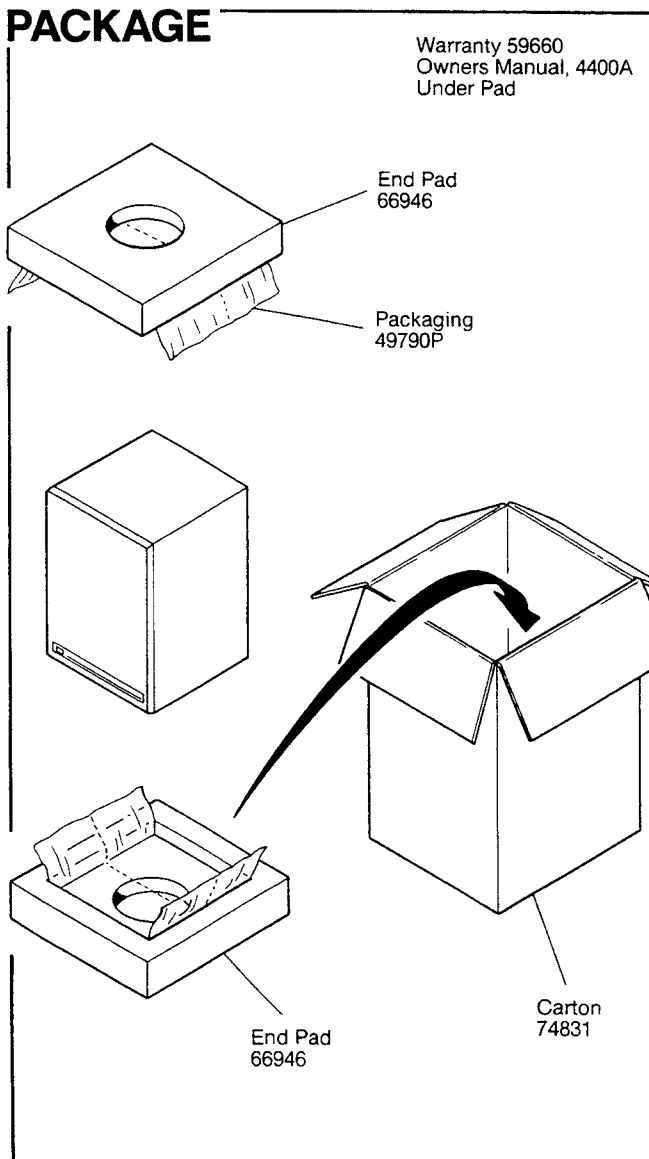
- Enclosure Dimensions: 438Mm x 305mm x 295mm D (17.25 x 12.0 x 11.62 in. D)
- Shipping Weight: 30 lbs. (13.6 kg.)

WARRANTY INFORMATION:

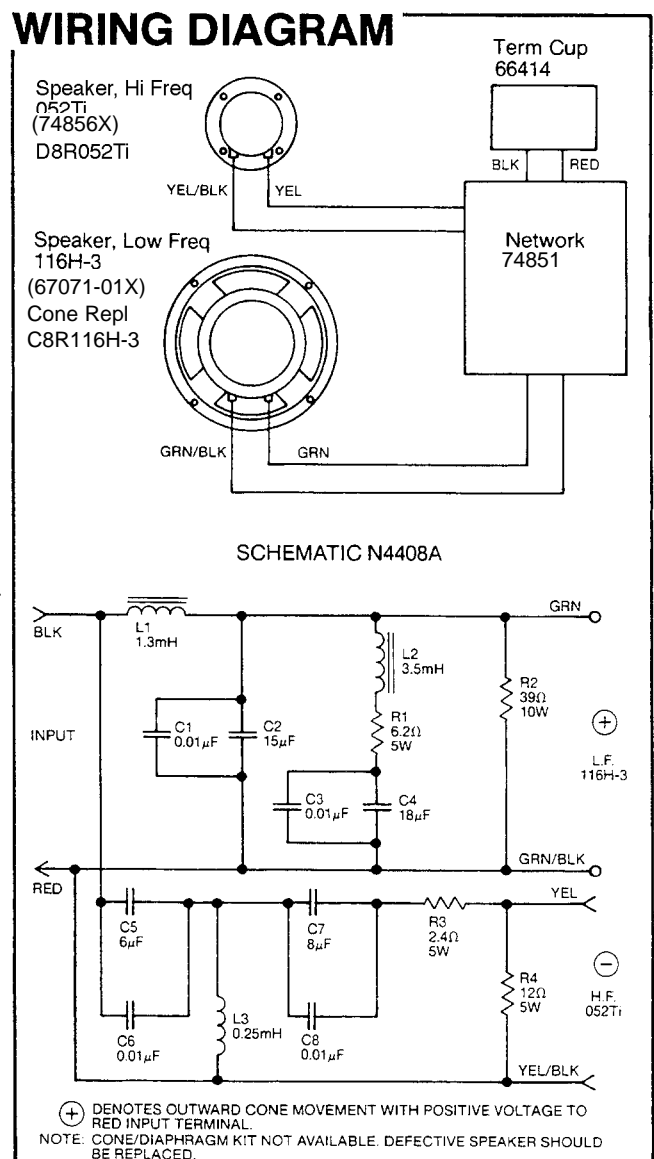
- Refer to the Warranty Statement packed with each product.

*1 Watt (2.83 V RMS) @ 1 Meter

PACKAGE



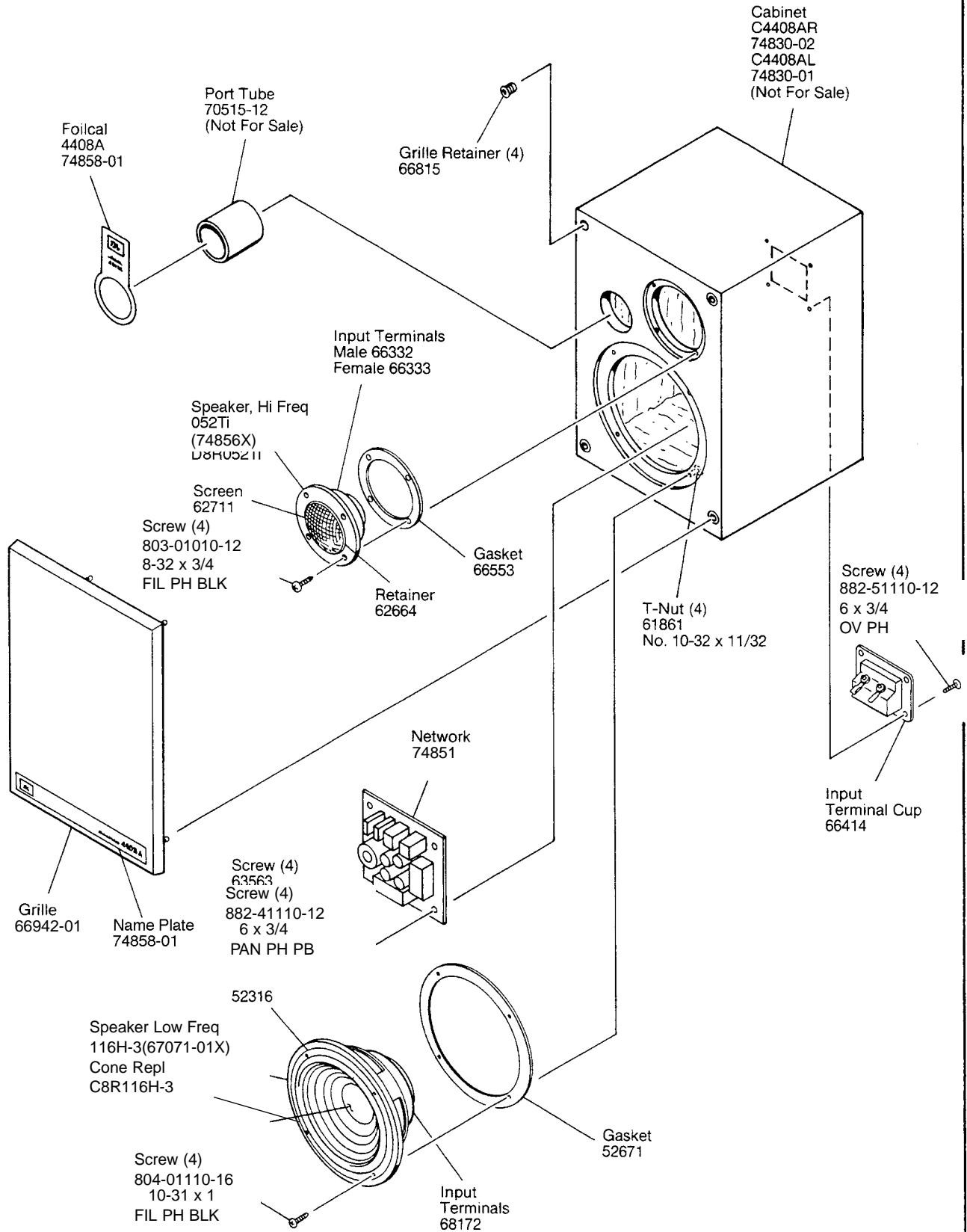
WIRING DIAGRAM



JBL 4408AL,R-1 REV J

JBL4408AL,R-1

COMPONENT EXPLODED VIEW



JBL4408AL,R-1