

# Technical Manual

# JBL4406 STUDIO MONITOR

## SPECIFICATIONS



### ACOUSTIC & ELECTRICAL SPECIFICATIONS:

- Nominal Impedance: 8 ohm
- Power Rating: 75W, Pink Noise
- Frequency Response: 55 Hz to 20 kHz ( $\pm 2$  dB)
- Sensitivity: 87 dB SPL\*
- Crossover Frequencies: 3 kHz

### SYSTEM COMPONENTS:

- Cabinet: C4406
- Grille: 66929
- Low Frequency Transducer: 165mm (6.5 in.) L.F. Filled Polypropylene Cone (115H-1)
- DC Resistance: 4.2 ohm  $\pm 10\%$  — Copper Wire

\*1 Watt (2.83 V RMS) @ 1 Meter

### SYSTEM COMPONENTS: (cont'd)

- High Frequency Transducer: 25mm (1 in.) Pure Titanium Dome Transducer (035TiA)
- DC Resistance: 3.5 to 4.2 ohm — Copper Wire
- Crossover Network: 66930-0060 2-Way System

### AURAL SWEEP TEST SPECIFICATIONS:

- A. System Aural Sweep Test: 7.0V Input, 20 Hz to 20 kHz
- B. L.F. Aural Sweep Test: 6.0V Input, 20 Hz to 1.2 kHz
- C. H.F. Aural Sweep Test: 2.0V Input, 2.0 kHz to 20 kHz

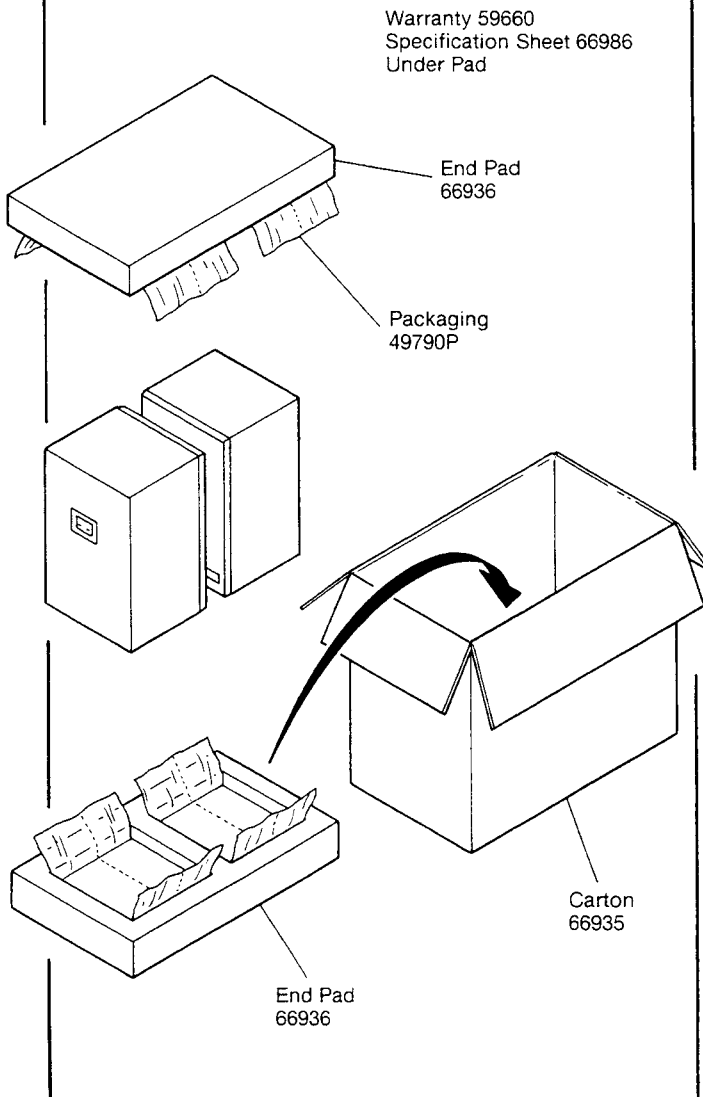
### PHYSICAL SPECIFICATIONS:

- Enclosure Dimensions: 390mm x 238mm x 216mm D (15.37 x 9.37 x 8.5 in. D)
- Shipping Weight: 17 lbs. (7.7 kg)

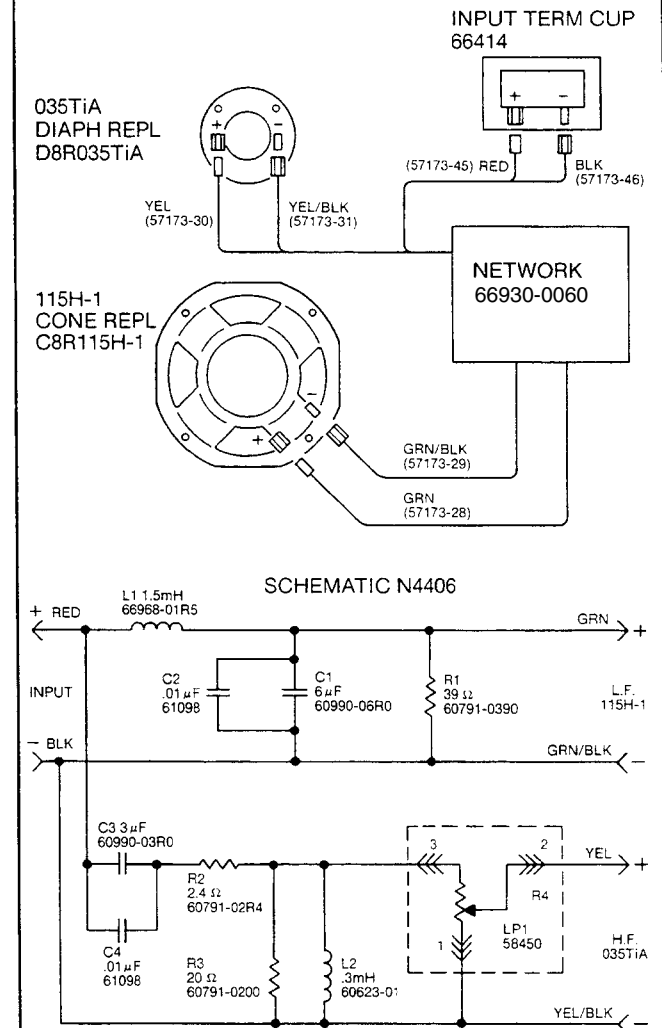
### WARRANTY INFORMATION:

- Refer to the Warranty Statement packed with each product.

## PACKAGE



## WIRING DIAGRAM



# JBL4406

## COMPONENT EXPLODED VIEW

