

Technical Manual

JBL4331B

SPECIFICATIONS



ACOUSTIC & ELECTRICAL SPECIFICATIONS:

- Nominal Impedance: 8 ohm
- Power Rating: 75W
- Frequency Response: 35 Hz to 15 kHz (± 3 dB)
- Sensitivity: 94 dB SPL*
- Crossover Frequencies: 800 Hz

SYSTEM COMPONENTS:

- Cabinet: C4503B
- Grille: 55519
- Low Frequency Transducer: 380mm (15 in.) Cone Transducer (2231H)

*1 Watt (2.83 V RMS) @ 1 Meter

SYSTEM COMPONENTS: (cont'd)

- Mid Frequency Transducer: 44mm (1-3/4 in.) Aluminum Diaphragm Compression Driver (2420)
- Crossover Network: 3131A

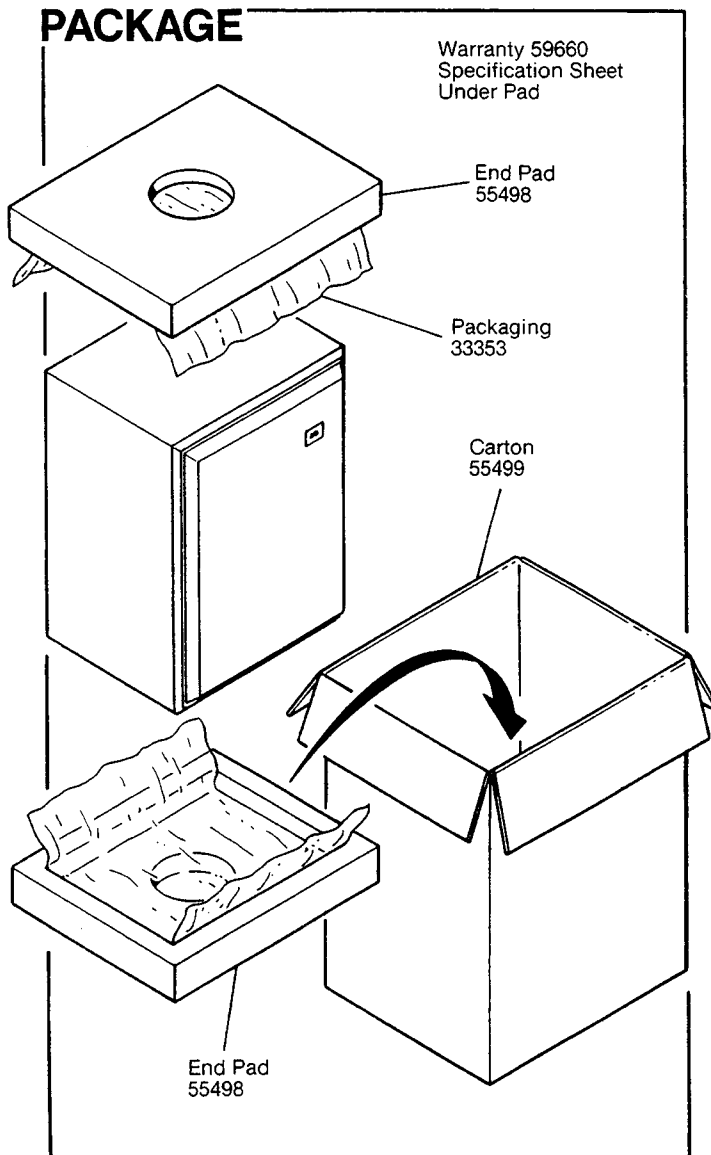
PHYSICAL SPECIFICATIONS:

- Enclosure Dimensions: 781mm x 578mm x 514mm D (30.75 x 22.75 x 20.25 in. D)
- Shipping Weight: 139 lbs. (63 kg)

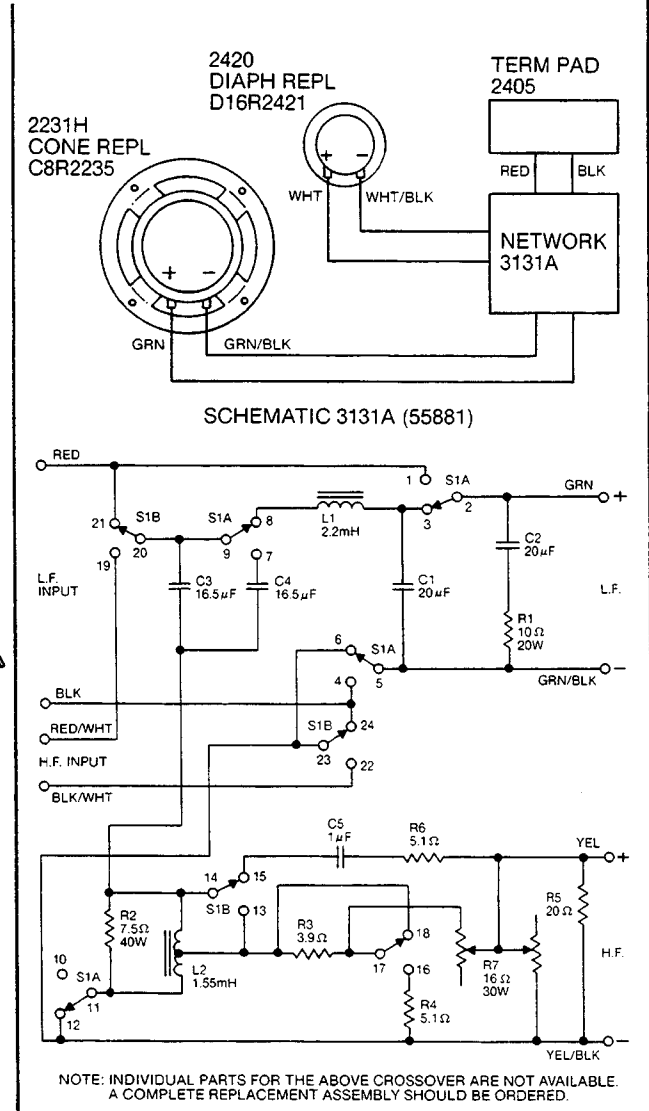
WARRANTY INFORMATION:

- Refer to the Warranty Statement packed with each product.

PACKAGE



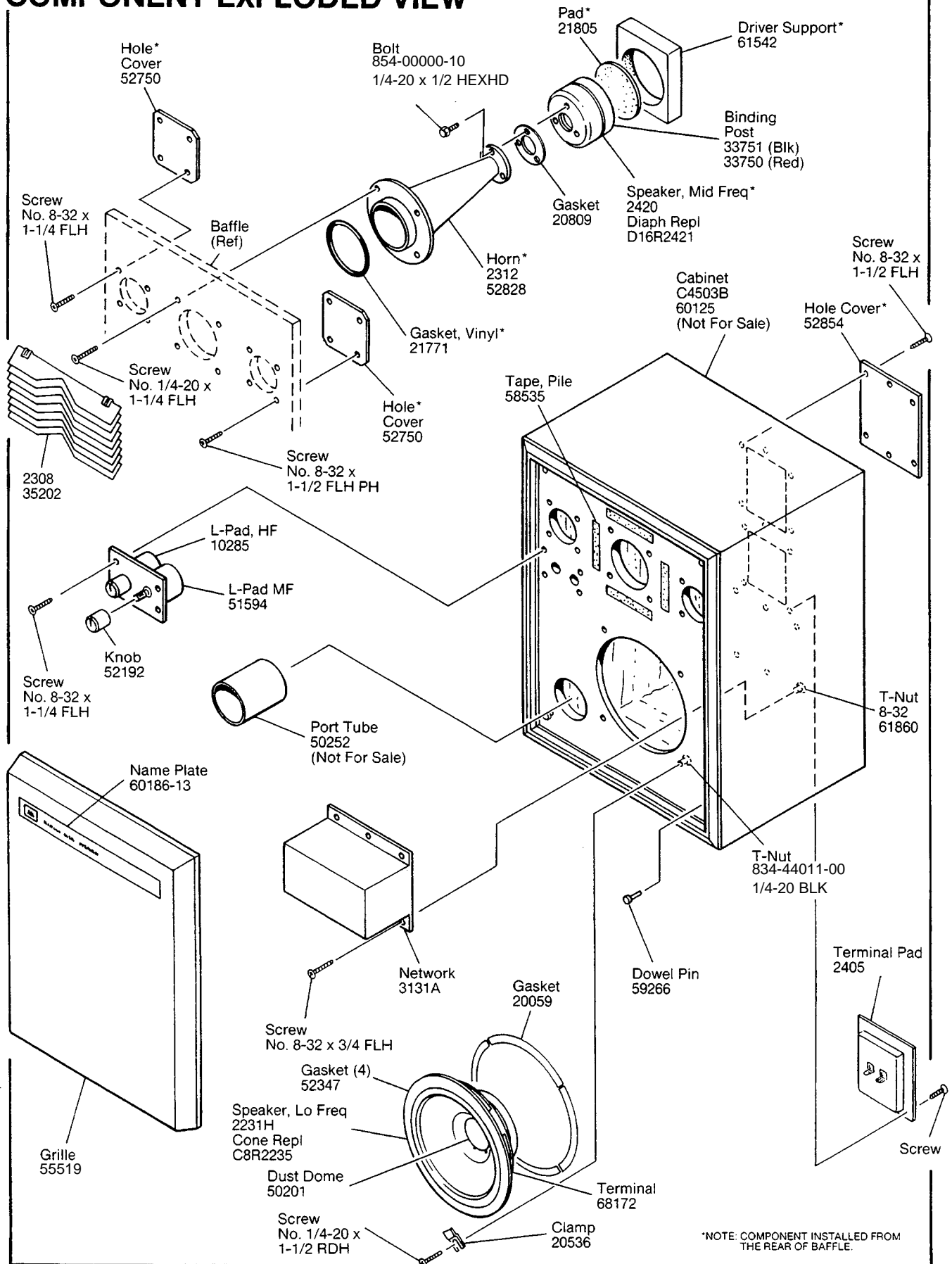
WIRING DIAGRAM



JBL4331B REV C

JBL4331B

COMPONENT EXPLODED VIEW



*NOTE: COMPONENT INSTALLED FROM THE REAR OF BAFFLE.

JBL4331B