

Technical Manual

JBL4311B

SPECIFICATIONS



ACOUSTIC & ELECTRICAL SPECIFICATIONS:

- Nominal Impedance: 8 ohm
- Power Rating: Continuous Program: 75W
- Frequency Response: 45 Hz to 15 kHz (± 3 dB)
- Sensitivity: 91 dB SPL*
- Crossover Frequencies: 1.5 kHz and 6.0 kHz

SYSTEM COMPONENTS:

- Cabinet: 61989
- Grille: G4312
- Low Frequency Transducer: 300mm (12 in.) Paper Cone Transducer (2213H)

*1 Watt (2.83 V RMS) @ 1 Meter

SYSTEM COMPONENTS: (cont'd)

- Mid Frequency Transducer: 130mm (5 in.) Paper Cone Transducer (LE5-10)
- High Frequency Transducer: 36mm (1.4 in.) Paper Cone Transducer (LE25-2)
- Crossover Network: 3112B

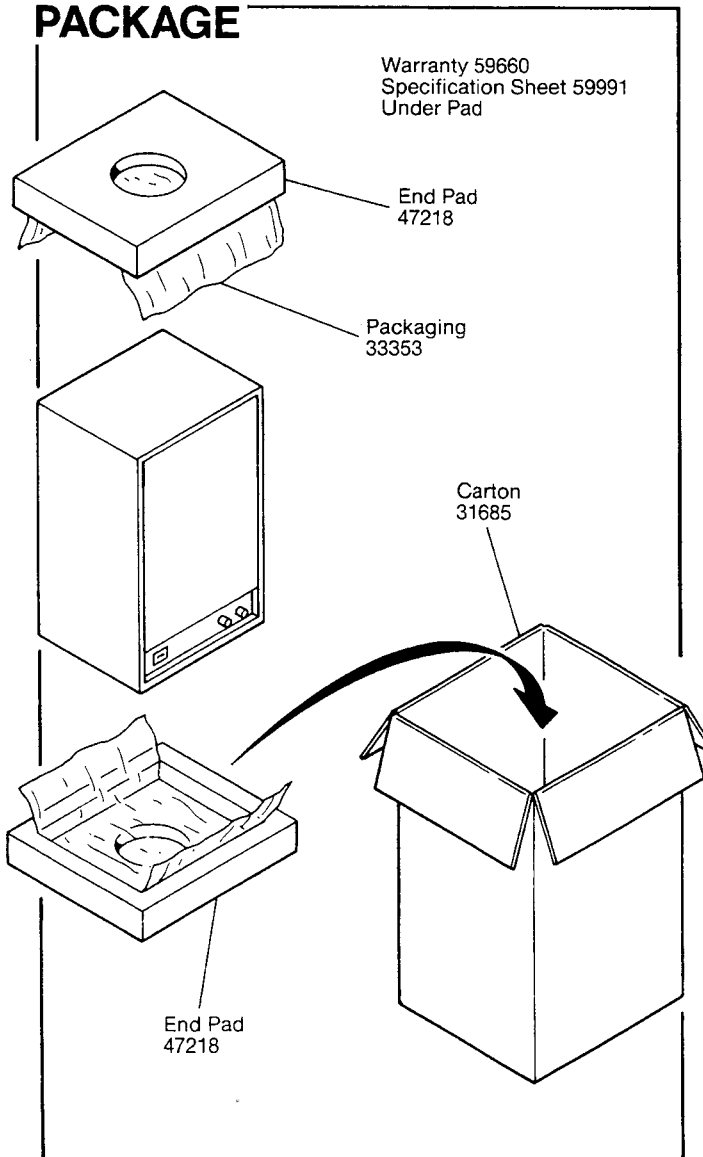
PHYSICAL SPECIFICATIONS:

- Enclosure Dimensions: 597mm x 362mm x 298mm D (23.5 x 14.25 x 11.75 in. D)
- Shipping Weight: 52 lbs. (24 kg)

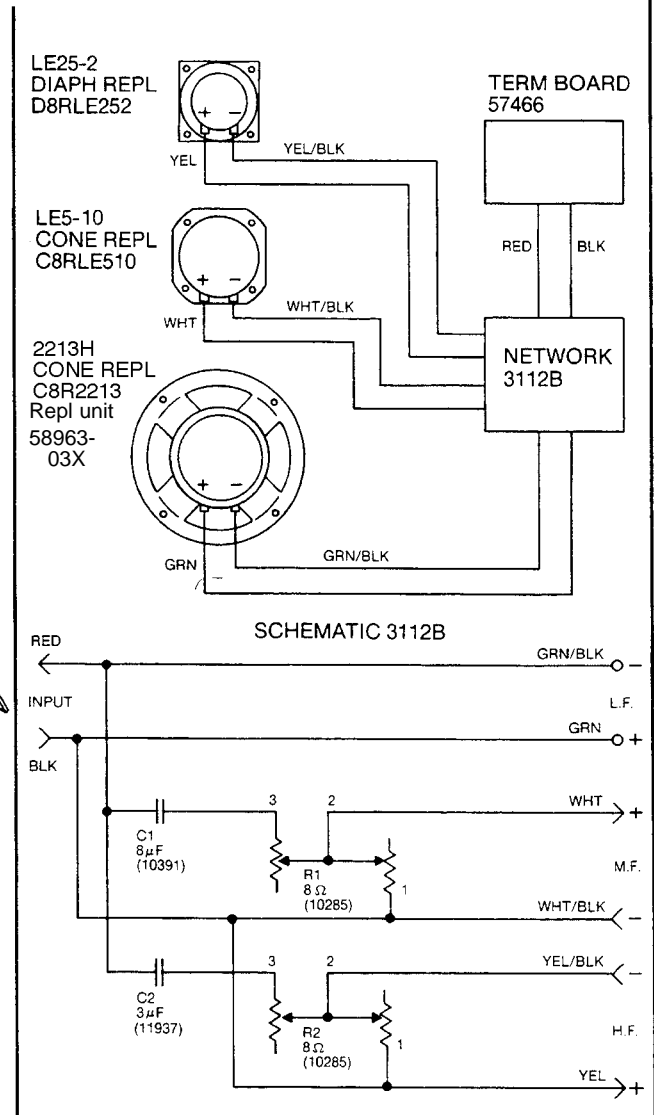
WARRANTY INFORMATION:

- Refer to the Warranty Statement packed with each product.

PACKAGE



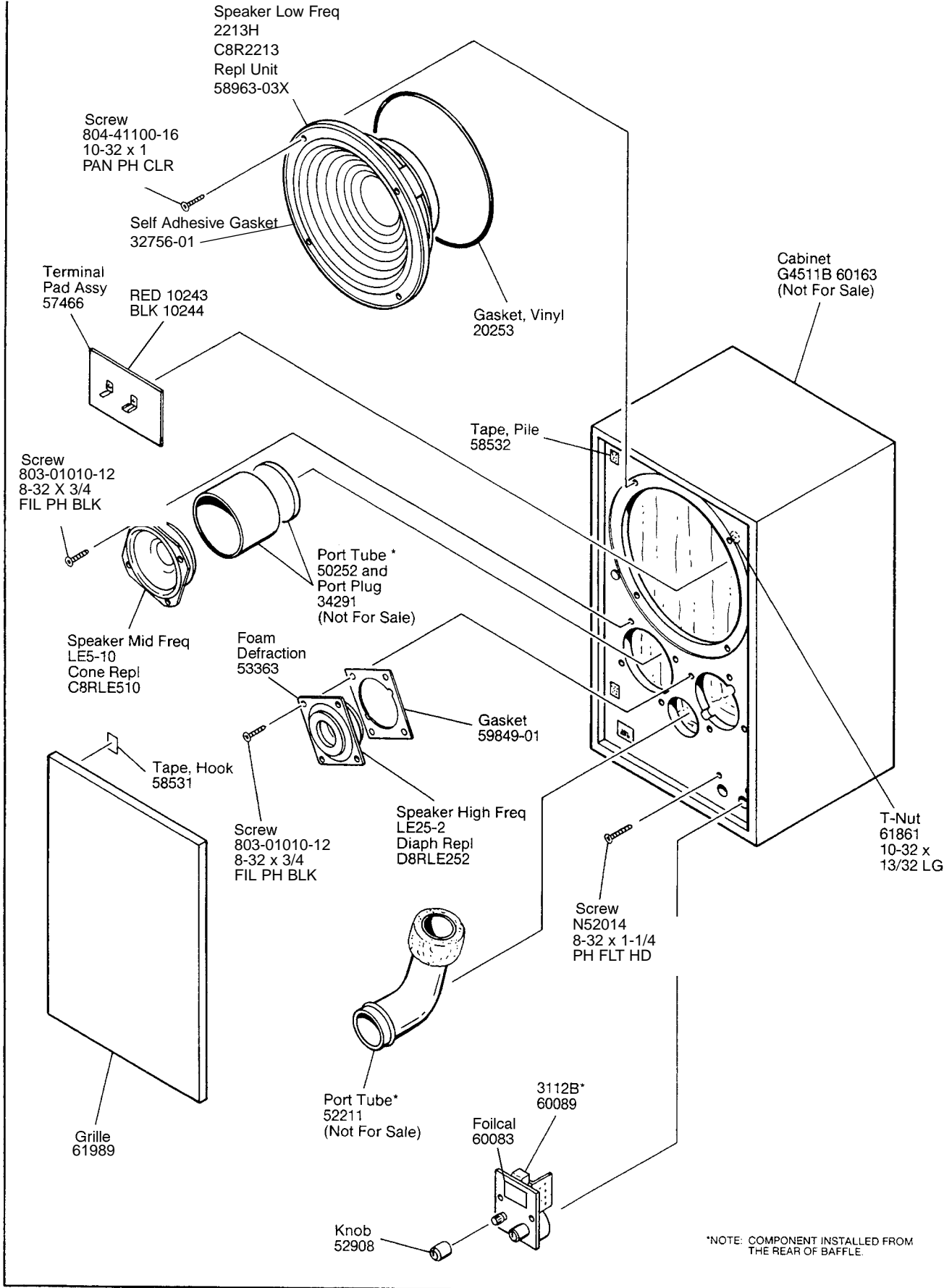
WIRING DIAGRAM



JBL4311B REV F

JBL4311B

COMPONENT EXPLODED VIEW



JBL4311B