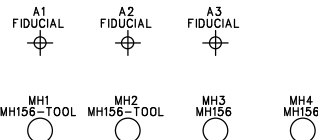
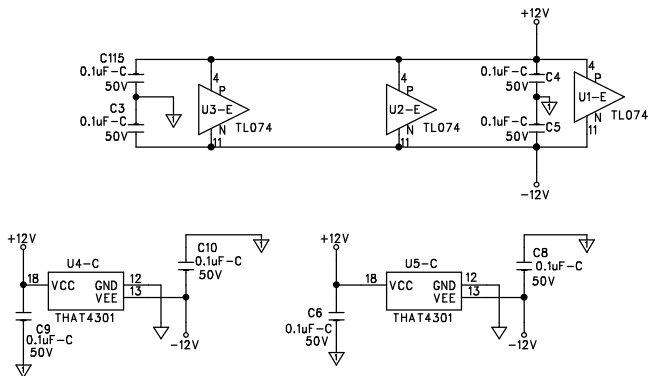


SIZE: A	SHEET TITLE: JBL Z32S Soundzone Controller	REVISION: A1
DATE: 7-14-00	DRAWING NO: 05-6362	SHEET: 2 OF 3



PCB1  
80-6362-A

SIZE: A	SHEET TITLE: Power	REVISION: A1
DATE: 7-14-00	DRAWING NO: 05-6362	SHEET: 3 OF 3

Qty	Reference	HMG#	Description	Audit	Schematic Part	PCB Decal
1	PCB1	80-6362-A	PCB, 80-6362-A JBL SOUNDZONE CONTROLLER	PT1046	80XXXXXX	PCBNULL
1	C7	62-3144	CAP, 0.047uF, CER, 50V, 10%, 0805, T&R	PT1343	C0.047UC50J0805	0805
2	C83 C97	62-3144	CAP, 0.047uF, CER, 50V, 10%, 0805, T&R	PT1343	C0.047UC50JS	0805
1	C2	62-3129	CAP, 0.047uF, CER, 50V, 20%, 0805, T&R	PT1202	C0.047UC50MS	0805
8	C3-6 C8-10 C115	62-3139	CAP, 0.1uF, CER, 50V, 20%, 0805, T&R	PT1087	C0.1UC50MS	0805
2	C81 C93	56-0015	CAP, 0.33uF, FILM, 50V, 5%, RFEF200, AMMO	PT1104	C0.33UF50JR	RFEF200
1	C1	56-0016	CAP, 0.47uF, FILM, 50V, 5%, RFEF200, AMMO	PT1308	C0.47UF50JR	RFEF200
1	C84	60-0055	CAP, 100uF, ELEC, 25V, 20%, REG200P, AMMO	PT1407	C100UE25MR	REG200P
1	C85	60-0050-01	CAP, 10uF, ELEC, 25V, 20%, RED200P, AMMO	PT1205	C10UE25MR	RED200P
2	C95 C113	62-3507	CAP, 2200pF, CER, 50V, 5%, 1206, T&R	PT1783	C2200PC50JS	1206
2	C82 C96	60-0324	CAP, 33uF, ELEC, 63V, 20%, REG200P, AMMO	PT1436	C33UE63MR	REG200P
2	C90-91	62-3132	CAP, 47pF, CER, 50V, 5%, 0805, T&R	PT1085	C47PC50JS	0805
6	D1 D15 D27-30	70-0113	DIO, MMBD4148SE, DUAL DIODE, 75V, 600mA, SOT-23, T&R	PT1326	D1N4148SE-S	SOT-23
3	A1-3	NON-PART	NON-PART, FIDUCIAL, TARGET FOR AUTO INSERTION	PT1271	FIDUCIAL	FIDUCIAL
1	P2	32-1996	HCN CONN 20 PIN FEM VRT MNT	PT2173	HCN321996	HC102
2	MH3-4	NON-PART	NON-PART, MOUNTING HOLE, 0.156" NON-PLATED,#6	PT1044	MH156	MH156
2	MH1-2	NON-PART	NON-PART, TOOLING PIN HOLE, 156MIL HOLE	PT1416	MH156-TOOL	MH156-TOOL
2	R9 R333	52-4505	RES 1.00K 1% 1/10W SM 0805 TA	PT1037	R1.00KC1-0805	0805
11	R6-8 R12-13 R270 R274 R315-316 R322-323	52-1004	RES 1.00M 1% 1/10W SM 0805 TA	PT2201	R1.00M-C1-0805	0805
1	R273	52-4538	RES 1.21K 1% 1/10W SM 0805 TA	PT1810	R1.21KC1-0805	0805
3	R279 R337-338	52-4500	RES 10.0K 1% 1/10W SM 0805 TA	PT1034	R10.0KC1-0805	0805
8	R1 R324-330	52-1010	RES 100K 1% 1/10W SM 0805 TA	PT2014	R100KC1-0805	0805
2	R281 R284	50-1504	RES 100K 5% 1/10W SM 0805 TA	PT1096	R100KC5-0805	0805
2	R312 R319	52-3229	RES 11.0K 1% 1/10W SM 0805 TA	PT1712	R11.0KC1-0805	0805
1	R331	52-3212	RES 110K 1% 1/10W SM 0805 TA	PT1729	R110KC1-0805	0805
2	R313 R320	52-3234	RES 12.1K 1% 1/10W SM 0805 TA	PT1707	R12.1KC1-0805	0805
2	R2-3	52-3227	RES 13.3K 1% 1/10W SM 0805 TA	PT1714	R13.3KC1-0805	0805
1	R277	52-3233	RES 15.0K 1% 1/10W SM 0805 TA	PT1708	R15.0KC1-0805	0805
2	R314 R321	52-3237	RES 17.4K 1% 1/10W SM 0805 TA	PT1705	R17.4KC1-0805	0805
1	R339	52-3211	RES 191K 1% 1/10W SM 0805 TA	PT1730	R191KC1-0805	0805
1	R335	OMIT	OMIT RES 1M 5% 1/10W SM 0805 TA (50-1506)	PT1435	R1MC5-08050	0805
4	R264 R290 R308-309	52-4501	RES 20.0K 1% 1/10W SM 0805 TA	PT1035	R20.0KC1-0805	0805
1	R275	52-3224	RES 200 1% 1/10W SM 0805 TA	PT1717	R200-C1-0805	0805
2	R261 R294	52-3242	RES 280K 1% 1/10W SM 0805 TA	PT1696	R280KC1-0805	0805
2	R334 R341	52-3220	RES 30.1K 1% 1/10W SM 0805 TA	PT1721	R30.1KC1-0805	0805
2	R276 R343	52-3210	RES 332K 1% 1/10W SM 0805 TA	PT1731	R332KC1-0805	0805
3	R282-283 R310	52-4531	RES 39.2K 1% 1/10W SM 0805 TA	PT1820	R39.2KC1-0805	0805
8	R10 R271-272 R280 R317-318 R332 R342	52-4511	RES 4.99K 1% 1/10W SM 0805 TA	PT1041	R4.99KC1-0805	0805
2	R11 R278	50-1523	RES 470K 5% 1/10W SM 0805 TA	PT1025	R470KC5-0805	0805
2	R4-5	52-4502	RES 49.9 1% 1/10W SM 0805 TA	PT1036	R49.9-C1-0805	0805
1	R340	52-4504	RES 499 1% 1/10W SM 0805 TA	PT1102	R499-C1-0805	0805
1	R336	52-4514	RES 57.6K 1% 1/10W SM 0805 TA	PT1042	R57.6KC1-0805	0805
2	U7-8	70-2148	IC NSL-32H OPTOCOUPLER 500 OHM BULK	PT1960	UNSL-32H	UNSL-32H
2	U4-5	72-4058	IC 4301 VCA/RMS DETECTOR	PT1959	UTHAT4301-S	SO30-THAT
3	U1-3	72-1450	IC, TL074, OP-AMP, QUAD, JFET, -INPUT, SO14, T&R	PT1049	UTL074-S	SO14
4	VR1-2 VR27 VR31	42-0001	POT, 50K, TOP ADJUST, T&R	PT1323	VR50K420001	VRTRIM2