

Technical Manual

JBL SOUNDZONE Z32S/A



SPECIFICATIONS

All connectors where not otherwise noted are Euroblocks which accept bare wire. All Euroblock connector plugs are included.

LINE INPUT:

- Type: Unbalanced, RCA Connector x 2, Per Source
- Nominal Sensitivity: -10 dBV
- Input Impedance: 20 k
- Headroom: >25 dB (-10 dBV Nominal)
- Noise: >0.06%, 20 Hz – 20 kHz (0 Gain)
- Frequency Response: 30 Hz – 20 kHz ±1 dB
- Equalization: Bass ±8 dB @ 50 Hz
Treble ±8 dB @ 10 kHz

MIC INPUT:

- Type: Balanced, Euroblock Connector for Bare Wire
- Input Impedance: 2 k
- Sensitivity: -60 dBV to -20 dBu
- Noise: -118 dBu EIN 150 Source Impedance, 22 kHz Bandwidth
- Frequency Response: Band Limited to 250 Hz – 8 kHz ± 1 dB
- Common Mode Rejection: > 40 dB, Typically > 55 dB
- Equalization: Bass ±8 dB @ 200 Hz
Treble ±8 dB @ 8 kHz.

ZONE OUTPUTS:

- Type: Balanced, Euroblock Connector for Bare Wire
- Nominal Output: +4 dBu (1.2 V)
- Maximum Output: +18 dBu (6.2 V)
- Subwoofer Output: Low-passed 100 Hz, 24 dB/oct Linkwitz-Riley
- HPF: High-passed 100 Hz, 24 dB/oct Linkwitz-Riley

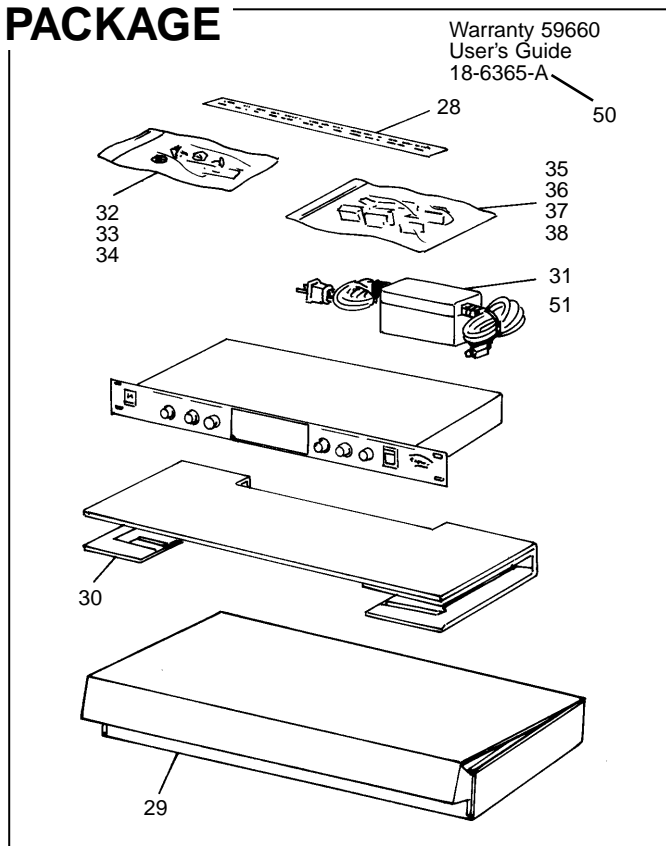
MISCELLANEOUS:

- Direct Input: -2 dBu (0.62 V) Nominal Sensitivity
10 k Nominal Input Impedance
- Priority Hold: Adjustable From Approx 3 Seconds to Approx 20 Seconds
- Iso Aux Out: Isolated via 600 ohm Balanced Isolation Transformer. Output Level Adjustable to +13 dBu (3.5 V) Max.
- Remote Wall Plates: Connections via Category 5 UTP, Category 5 Connectors Both Ends, No Audio Runs Through Wires. RJ45 Connector.
- Mute Terminals: Shorting The Pins Mutes All Source Inputs, Does Not Mute Mic Input.
- VCA Port: 0 V For No Attenuation, +5 V For Full Attenuation
- Page Assign: Shorting Zone Pin to Ground (provided) Assigns Page to That Zone.
- Source Linking: Category 5 Cable, RJ45 Connector. With More Than 2 Units, Category 5 Y-Cable Required. Recommended Max of 4 Units for Direct Linking. More With Outboard DA. Recommended Max Link Cable Length 6 ft. (2.4M)

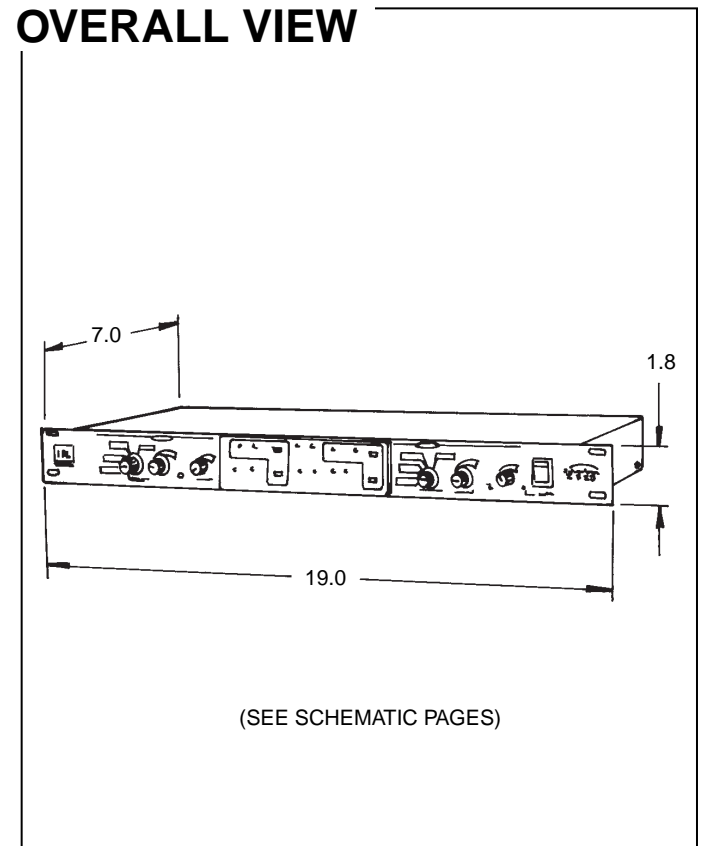
GENERAL:

- Power Consumption: 30 W
- Power Requirements: 115 V ±10% or 230 ±10% Thermal Fuse in External Transformer
- Dimensions (W x H x D): 19.0" x 1.8" (no feet) x 7.0" (Including Knobs and Connectors), 6.3" Deep Behind Rail.
(482 mm x 46 mm x 178 mm, 160 mm behind rail)
- Weight: 5 lb. (2.2 kg)

PACKAGE



OVERALL VIEW



JBL SOUNDZONE Z32S/A

COMPONENT PARTS LIST

ITEM NO.	PART NO.	QTY	DESCRIPTION
1	40-2163JBL	2	500K B DUAL ROT
2	72-1480JBL	1	NJM4580, DUAL OP-AMP
3	72-1450JBL	17	TL074, OP-AMP, QUAD
4	60-0096JBL	4	1000µF ELEC 25V 20%
5	40-2161JBL	3	20K A DUAL ROT
6	40-2165JBL	4	20K A 9mm ROT
7	40-2159JBL	2	500K B 9mm ROT
8	40-2162JBL	2	20K B 9mm DUAL ROT
9	40-2164JBL	11	20K B 9mm ROT
10	44-0050JBL	7	SWITCH DPDT MINI IN-OUT
11	44-0049JBL	2	SWITCH ROT DP4T 20mm
12	32-3224JBL	3	JACK RCA DUAL
13	32-1134JBL	2	JACK RJ45 DUAL 8 PIN
14	70-4014JBL	1	7805, +5V, 1.5 AMP
15	70-4013JBL	2	7812, +12V, 1 AMP
16	70-4017JBL	2	7912, -12V, 1 AMP
17	32-0024JBL	1	FUSE, 2.5A, POLYSWITCH
18	70-1911JBL	4	LED MULTI-COLOR RED/GRN
19	70-1902JBL	2	LED RED
20	70-1900JBL	1	LED GRN
21	70-1901JBL	2	LED YEL
22	JBL S/Z Module	2	JBL S/Z DAUGHTER PCB ASSY
23		1	JBL Z32S FRONT PANEL ART
24	*44-0011JBL **44-0189JBL	1	POWER SWITCH, ROCKER CSA APPROVED
25	34-0259-A	4	KNOB SOFT TOUCH WHITE LINE (JBL Z21S / 32S)
26	34-0258JBL	2	KNOB SOFT TOUCH GREY LINE (JBL Z21S / 32S)
27	24-6364JBL	1	Z32S SMOKED ACRYLIC WINDOW

ITEM NO.	PART NO.	QTY	DESCRIPTION
28	30-6364JBL	2	LABEL JBL Z32S/21S STICK ON SOURCE
29	20-6362	1	SHIPPING BOX JBL Z32S/21S
30	22-6365	1	BOX INSERT JBL Z32S/21S
31	PS14550-120JBL	1	POWER ADAPTOR 14V 550MA 120V LCK
32	22-0005JBL	4	BUMPON ROUND BLACK
33	28-0217JBL	4	NYLON WASHER .20 .430 .065 BLK
34	28-0074JBL	4	10-32 TRUSS HEAD SCREW BLK/SHIPPING
35	32-2019JBL	2	PLUG 3.5mm PITCH 9 POS EURO
36	32-2018JBL	1	PLUG 5.08mm PITCH 4 POS EURO
37	32-2017JBL	4	PLUG 5.08mm PITCH 3 POS EURO
38	32-2016JBL	1	PLUG 5.08mm PITCH 2 POS EURO
39	72-5438JBL	5	CD4066 QUAD SWITCH
40	72-4032JBL	3	LF353M, JFET OPAMP
41	72-4331JBL	1	CA3046M, NPN TRANSISTOR
42	72-5439JBL	1	CD4538BCM DUAL
43	72-1439JBL	7	5532MD, OPAMP
44	72-5440JBL	2	CD4071BCM QUAD 2-INPUT
45	32-1997JBL	1	CON PLUG 4 PIN 3mm
46	32-2013JBL	4	CON PLUG EURO 1 X 3
47	32-2015JBL	2	CON PLUG EURO 1 X 9
48	32-2012JBL	1	CON PLUG EURO 1 X 2
49	32-2014JBL	1	CON PLUG EURO 1 X 4
50	18-6365-A	1	OWNERS MANUAL Z32S/Z21S
51	PS14550- 230JBL	1	POWER ADAPTOR 14V 550MA 230V LCK
52	28-0366JBL	1	4-40 x 3/8 PH, FLAT T/S
	JBLZ32S Retro		Update Kit
	JBL Z32S Retro/230		Update Kit / 230

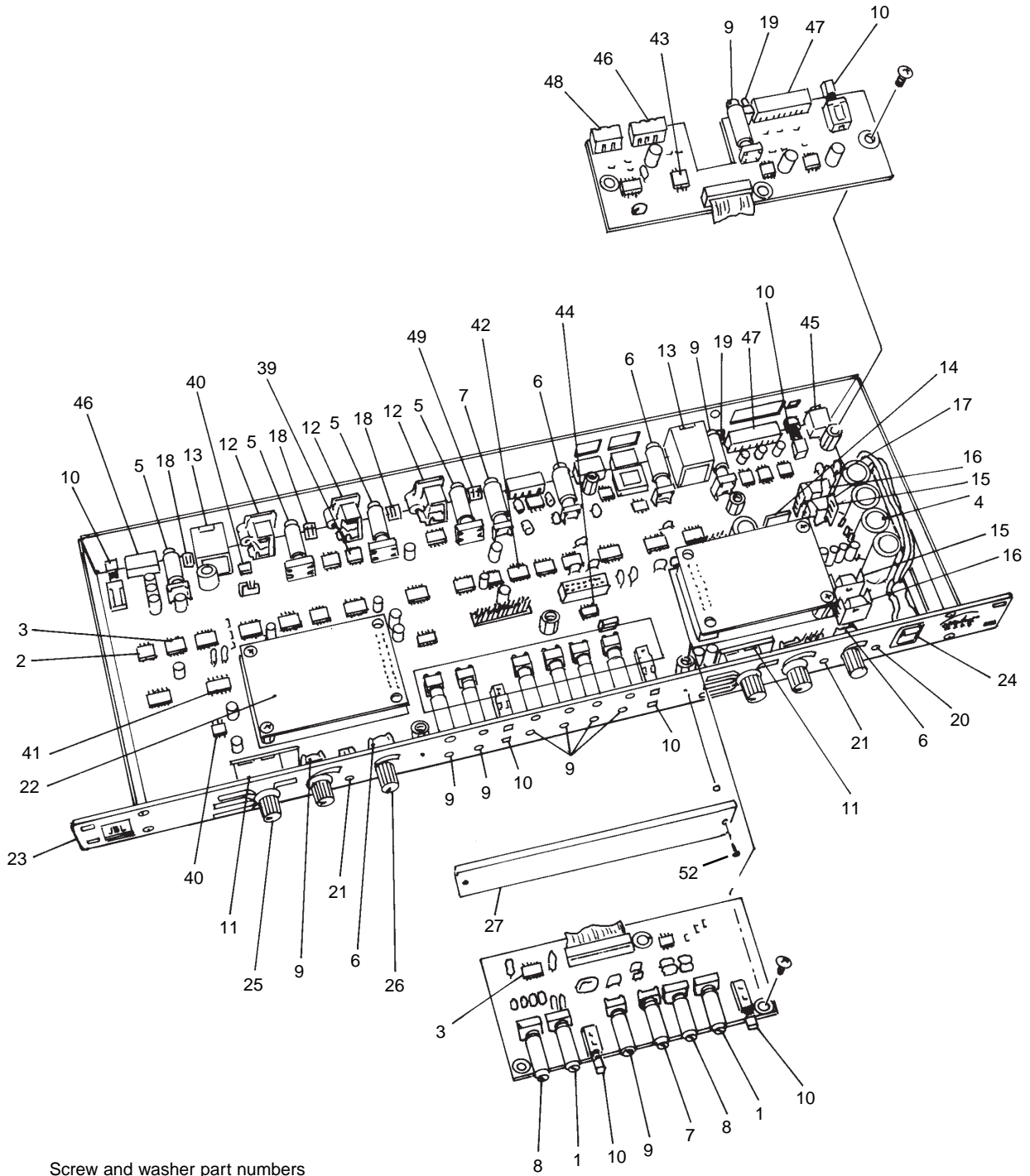
JBL SOUNDZONE Z32S/A

* JBL SoundZone Z32S

** JBL SoundZone Z32S/A

JBL SOUNDZONE Z32S/A

COMPONENT EXPLODED VIEW



Screw and washer part numbers
that hold the acrylic window on to
the front of Z32S
Screw, 28-0366
Washer, 28-1046