

# Technical Manual



# JBL SOUNDZONE Z21S

## SPECIFICATIONS

All connectors where not otherwise noted are Euroblocks which accept bare wire. All Euroblock connector plugs are included.

### LINE INPUT:

- Type: Unbalanced, RCA Connector x 2, Per Source
- Nominal Sensitivity: -10 dBV
- Input Impedance: 20 k
- Headroom: >25 dB (-10 dBV Nominal)
- Noise: >0.06%, 20 Hz – 20 kHz (0 Gain)
- Frequency Response: 30 Hz – 20 kHz ±1 dB
- Equalization: Bass ±8 dB @ 50 Hz  
Treble ±8 dB @ 10 kHz

### MIC INPUT:

- Type: Balanced, Euroblock Connector for Bare Wire
- Input Impedance: 2 k
- Sensitivity: -60 dBV to -20 dBu
- Noise: -118 dBu EIN 150 Source Impedance, 22 kHz Bandwidth
- Frequency Response: Band Limited to 250 Hz – 8 kHz ± 1 dB
- Common Mode Rejection: > 40 dB, Typically > 55 dB
- Equalization: Bass ±8 dB @ 200 Hz  
Treble ±8 dB @ 8 kHz.

### ZONE OUTPUTS:

- Type: Balanced, Euroblock Connector for Bare Wire
- Nominal Output: +4 dBu (1.2 V)
- Maximum Output: +18 dBu (6.2 V)
- Subwoofer Output: Low-passed 100 Hz, 24 dB/oct Linkwitz-Riley
- HPF: High-passed 100 Hz, 24 dB/oct Linkwitz-Riley

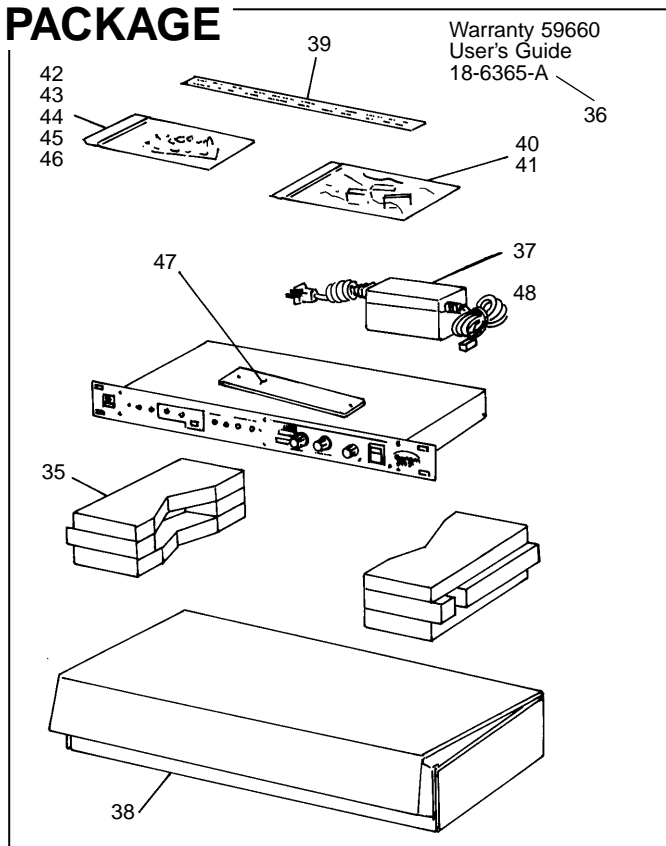
### MISCELLANEOUS:

- Direct Input: -2 dBu (0.62 V) Nominal Sensitivity  
10 k Nominal Input Impedance
- Priority Hold: Adjustable From Approx 3 Seconds to Approx 20 Seconds
- Iso Aux Out: Isolated via 600 ohm Balanced Isolation Transformer. Output Level Adjustable to +13 dBu (3.5 V) Max.
- Remote Wall Plates: Connections via Category 5 UTP, Category 5 Connectors Both Ends, No Audio Runs Through Wires. RJ45 Connector.
- Mute Terminals: Shorting The Pins Mutes All Source Inputs, Does Not Mute Mic Input.
- VCA Port: 0 V For No Attenuation, +5 V For Full Attenuation
- Page Assign: Shorting Zone Pin to Ground (provided) Assigns Page to That Zone.
- Source Linking: Category 5 Cable, RJ45 Connector. With More Than 2 Units, Category 5 Y-Cable Required. Recommended Max of 4 Units for Direct Linking. More With Outboard DA. Recommended Max Link Cable Length 6 ft. (2.4M)

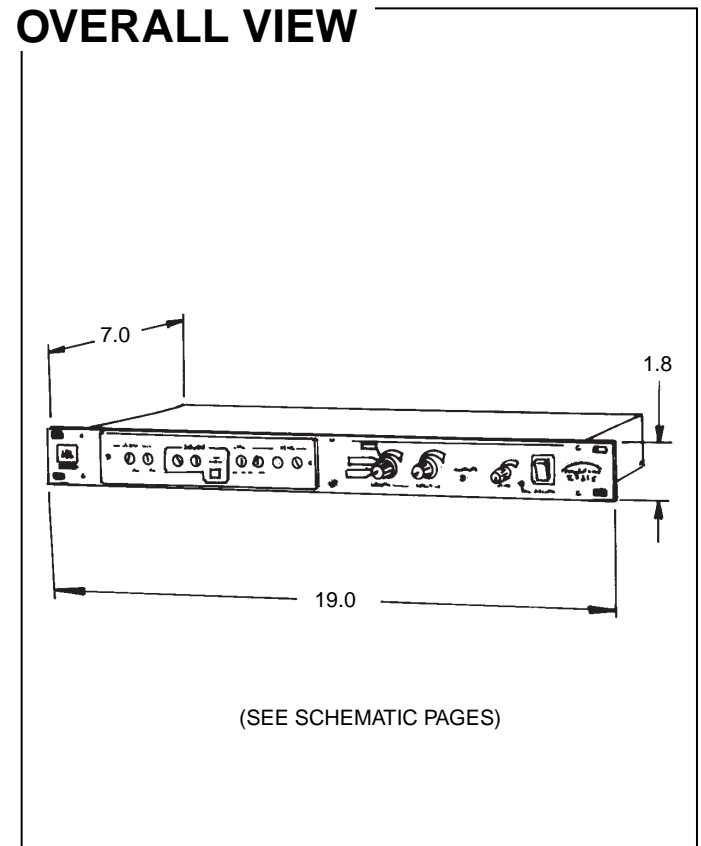
### GENERAL:

- Power Consumption: 20 W
- Power Requirements: 115 V ±10% or 230 ±10% Thermal Fuse in External Transformer
- Dimensions (W x H x D): 19.0" x 1.8" (no feet) x 7.0" (Including Knobs and Connectors), 6.3" Deep Behind Rail.  
(482 mm x 46 mm x 178 mm, 160 mm behind rail)
- Weight: 5 lb. (2.2 kg)

## PACKAGE



## OVERALL VIEW



# JBL SOUNDZONE Z21S

## COMPONENT PARTS LIST

ITEM NO.	PART NO.	QTY	DESCRIPTION
1	40-2157JBL	1	5K 5C DUAL ROT
2	40-2163JBL	1	500K B DUAL ROT
3	40-2159JBL	1	500K B 9mm ROT
4	40-2165JBL	2	20K A 9mm ROT
5	40-2162JBL	1	20K B DUAL ROT
6	40-2161JBL	2	20K A DUAL ROT
7	32-1134JBL	1	CON JACK RJ45 DUAL 8 PIN
8	32-3301JBL	1	JACK RJ45 SINGLE PORT 8 PIN
9	70-1900JBL	1	LED GRN
10	40-2164JBL	7	20K B ROT
11	32-3224JBL	2	JACK RCA DUAL
12	44-0050JBL	3	SWITCH DPDT MINI IN-OUT
13	70-1911JBL	3	LED MULTI-COLOR RED/GRN
14	32-2013JBL	2	CON PLUG EURO 1 X 3
15	72-1480JBL	1	NJM4580, DUAL OP-AMP, SO8
16	70-1902JBL	2	LED RED
17	72-4331JBL	1	CA3046M, NPN TRANSISTOR
18	72-1450JBL	11	TL074, OP-AMP, QUAD, JFET INPUT SO14, T&R
19	72-1439JBL	3	5532MD, DUAL BIPOLAR OPAMP, SO8-200
20	60-0070JBL	4	1000uF, ELEC, 25V, 20%
21	60-1073JBL	1	1000uF, ELEC, 35V, 20%
22	70-4013JBL	1	7812, +12V, 1 AMP
23	70-4017JBL	1	7912, -12V, 1 AMP
24	44-0048JBL	1	SWITCH ROT DP3T 20mm
25	70-4014JBL	1	7805, +5v, 1.5 amp
26	32-1997JBL	1	CON PLUG 4 PIN 3mm

ITEM NO.	PART NO.	QTY	DESCRIPTION
27	32-0024JBL	1	FUSE, 2.5A, POLYSWITCH
28	32-2015JBL	2	CON PLUG EURO 1 X 9
29	05-6364	1	Z21S MAIN PCB ASSEMBLY
30	34-0257JBL	3	SWITCHCAP BLK SQUARE
31	JBL S/Z Module	1	DAUGHTERBOARD SM ASSY
32	34-0529-A	2	KNOB SOFT TOUCH WHITE LINE (JBLZ21S/32S)
33	34-0258JBL	1	KNOB SOFT TOUCH GREY LINE (JBLZ21S/32S)
34	44-0011JBL	1	POWER SWITCH, ROCKER CSA APPROVED
35	20-6364-A	1	PRODUCT BOX JBL Z21S
36	18-6365-A	1	OWNERS MANUAL JBL Z32S/Z21S
37	PS0920-120-LCK-JBL	1	POWER ADAPTOR 9V 2.2A 120V LCK
38	20-6362	1	SHIPPING BOX JBL Z32S/21S
39	30-6364JBL	1	LABEL Z32S/Z21S STICK ON SOURCE
40	32-2017JBL	2	PLUG 5.08mm PITCH 3 POS EURO
41	32-2019JBL	1	PLUG 3.50mm PITCH 9 POS EURO
42	22-0005JBL	4	BUMPON ROUND BLACK
43	28-0217JBL	4	NYLON WASHER
44	28-0074JBL	4	10-32 TRUSS HD SCREW BLK SHIPPING
45	28-1046JBL	2	SPACER, .032" T, .120" ID .180" OD BLACK
46	28-0366JBL	2	4-40 X 3/8 PH FLAT T/S
47	24-6365JBL	1	SMOKED ACRYLIC WINDOW
48	PS0920CE-230JBL	1	Power Adaptor 9V 2.2A 230V LCK

JBL SOUNDZONE Z21S

# JBL SOUNDZONE Z21S

## COMPONENT EXPLODED VIEW

