

Technical Manual

JBL SOUNDZONE ZRV

TECHNICAL SPECIFICATIONS



ZR-V

For Volume Only

•Remote

Wall Plates:

Connection via Category 5 UTP, Category 5 Connectors Both Ends, no Audio Runs Through Wires. RJ45 Connector.

•Weight:

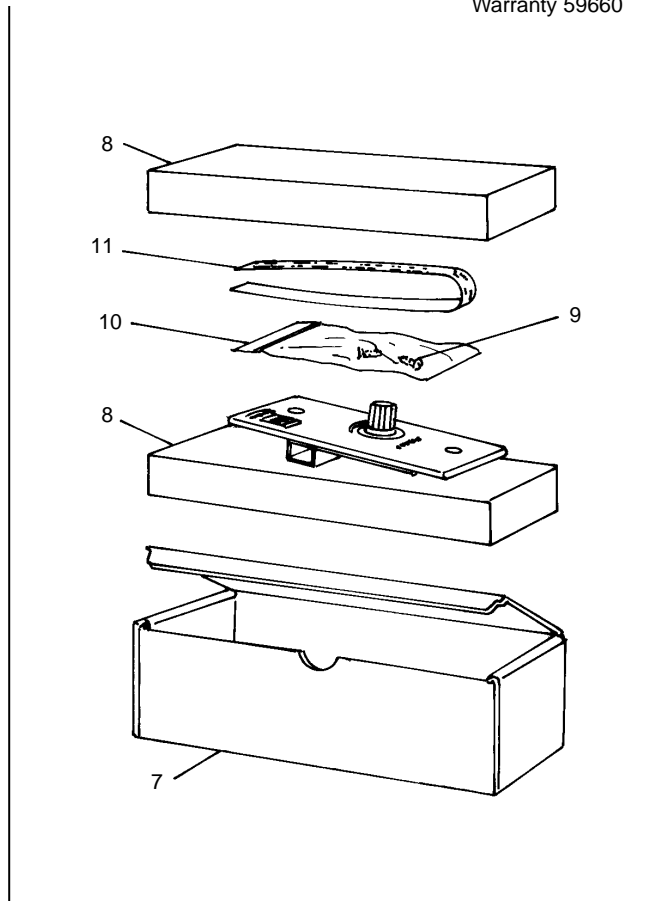
1 lb. (.45 kg)

COMPONENT PARTS LIST

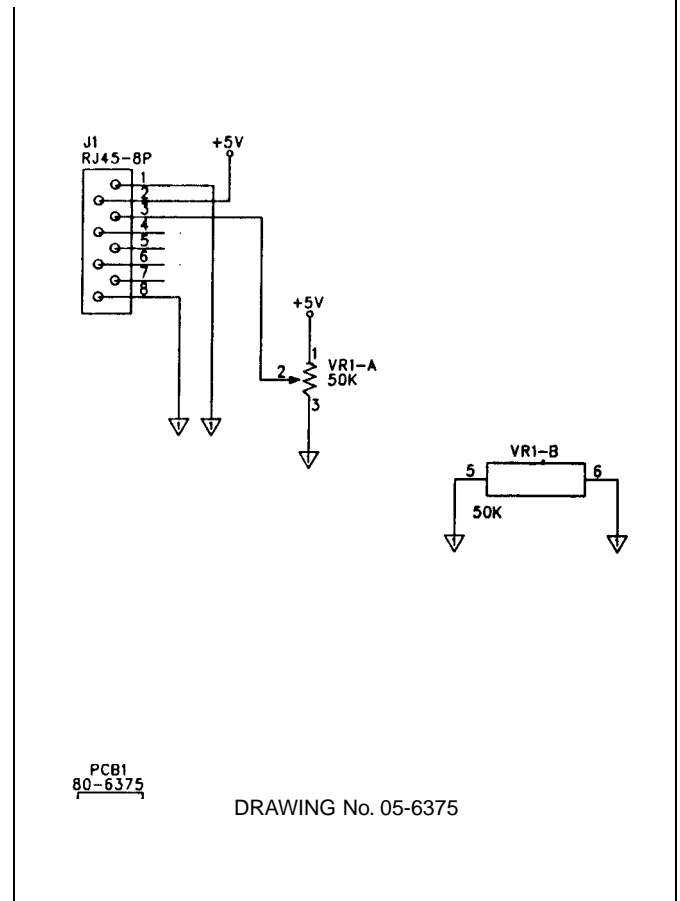
ITEM NO.	PART NO.	QTY	DESCRIPTION
1	05-6375	1	ZRV MAIN PCB ASSY
2	40-2152	1	POT 50k LINEAR TAPER
3	32-3301	1	RECEPTACLE, RJ-45 SNGL 8 CON 8 LOAD
4	04-6375	1	ZRV MECHANICAL ASSY
5	10-6375	1	ZRV FRONT PANEL P & S
6	34-0259	1	KNOB SOFT TOUCH WHITE LINE (Z21S/32S)
7	20-6374	1	PRODUCT BOX
8	22-6374	2	BOX INSERT
9	10-6371	2	PAINTED SCREW
10	22-0100	1	POLY BAG
11	30-6364	1	LABEL Z32S/21S STICK ON SOURCE
12			
13			

PACKAGE

Warranty 59660



SCHEMATIC

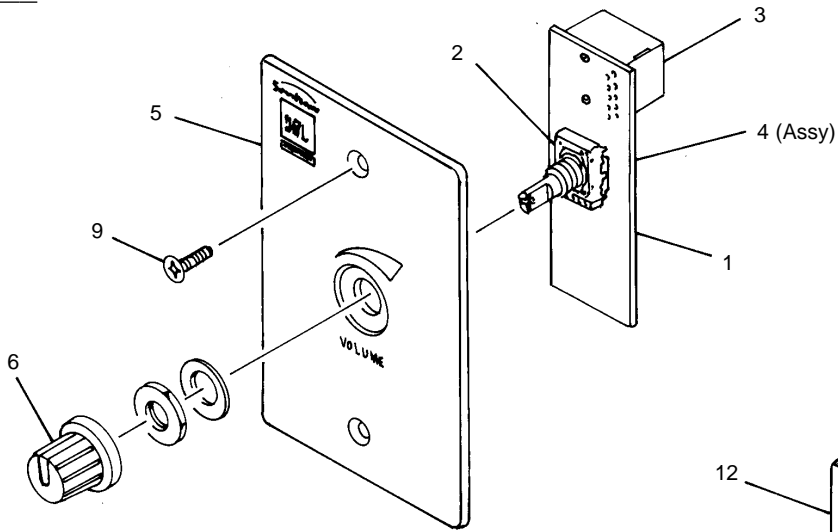


JBL SOUNDZONE ZRV REV A

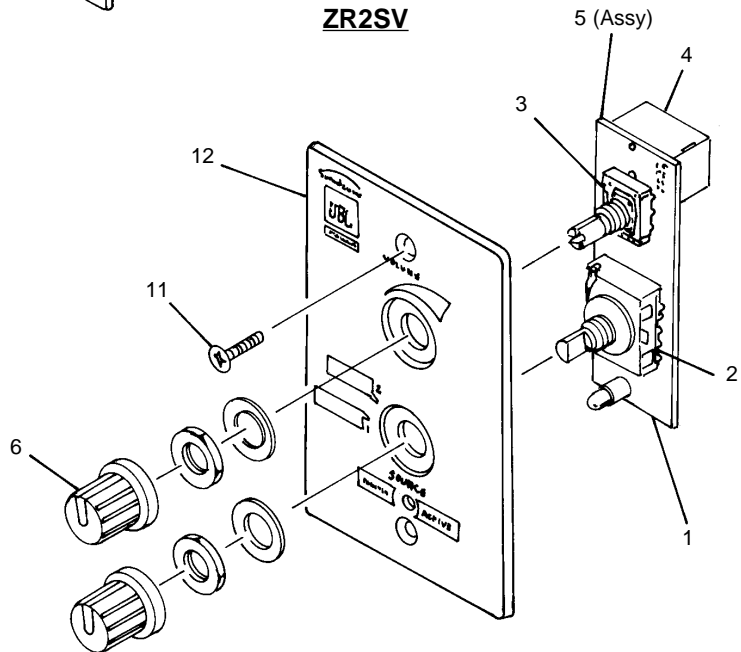
JBL SOUNDZONE ZRV, ZR2SV, ZR3SV

COMPONENT EXPLODED VIEW

ZRV



ZR2SV



ZR3SV

