

Technical Manual

JBL SOUNDZONE ZR2SV



TECHNICAL SPECIFICATIONS

ZR-2SV

For 2 Source & Volume (Attenuate)

•Remote

Wall Plates: Connection via Category 5 UTP, Category 5 Connectors Both Ends, no Audio Runs Through Wires. RJ45 Connector.

•Weight:

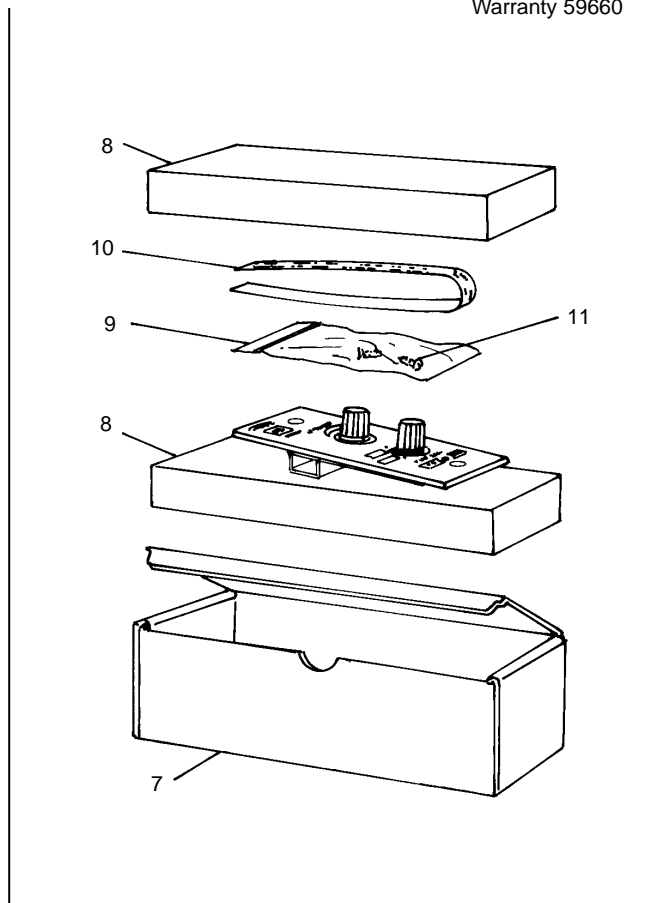
1 lb. (.45 kg)

COMPONENT PARTS LIST

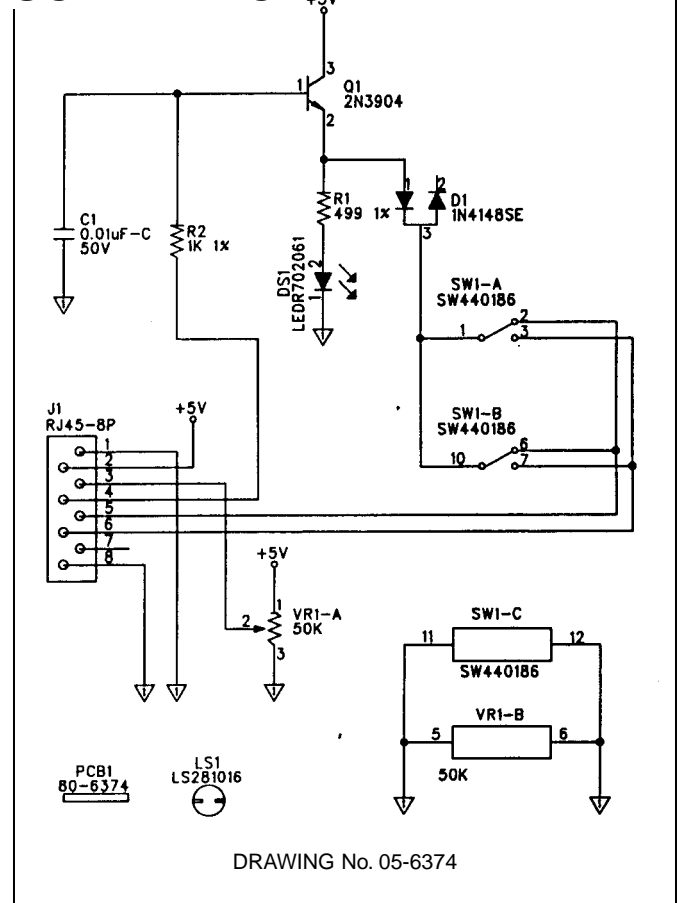
ITEM NO.	PART NO.	QTY	DESCRIPTION
1	05-6374	1	MAIN PCB ASSY
2	44-0186	1	SWITCH ROTARY 2 POS 15mm SHAFT
3	40-2152	1	POT 50k LINEAR TAPER
4	32-3301	1	RECEPTACLE, RJ-45 SNGL 8 CON 8 LOAD
5	04-6374	1	ZR2SV MECHANICAL ASSY
6	34-0259	2	KNOB SOFT TOUCH WHITE LINE (Z21S/32S)
7	20-6374	1	PRODUCT BOX
8	22-6374	2	BOX INSERT
9	22-0100	1	POLY BAG
10	30-6364	1	LABEL Z32S/21S STICK ON SOURCE
11	10-6371	2	PAINTED SCREW
12	10-6374	1	ZRV2V FRONT PANEL P & S
13			

PACKAGE

Warranty 59660



SCHEMATIC

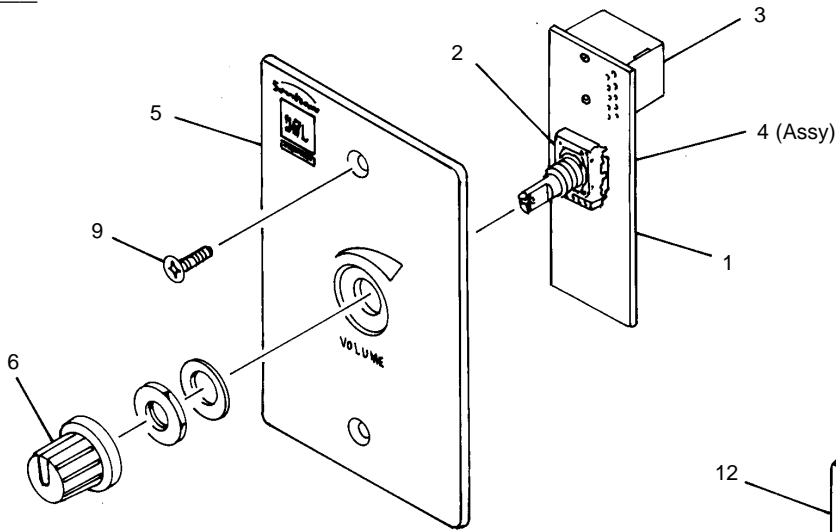


JBL SOUNDZONE ZR2SV REV A

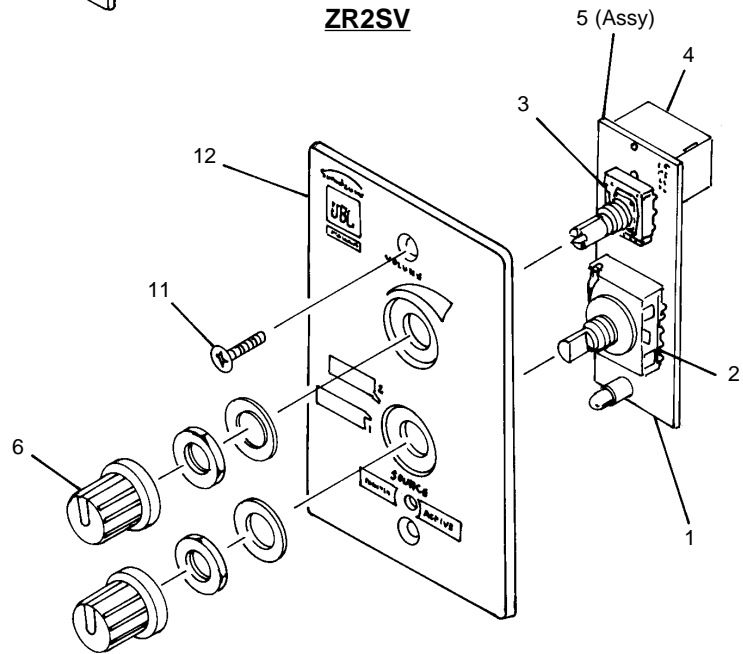
JBL SOUNDZONE ZRV, ZR2SV, ZR3SV

COMPONENT EXPLODED VIEW

ZRV



ZR2SV



ZR3SV

