

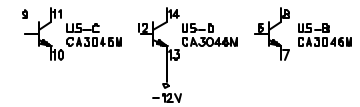
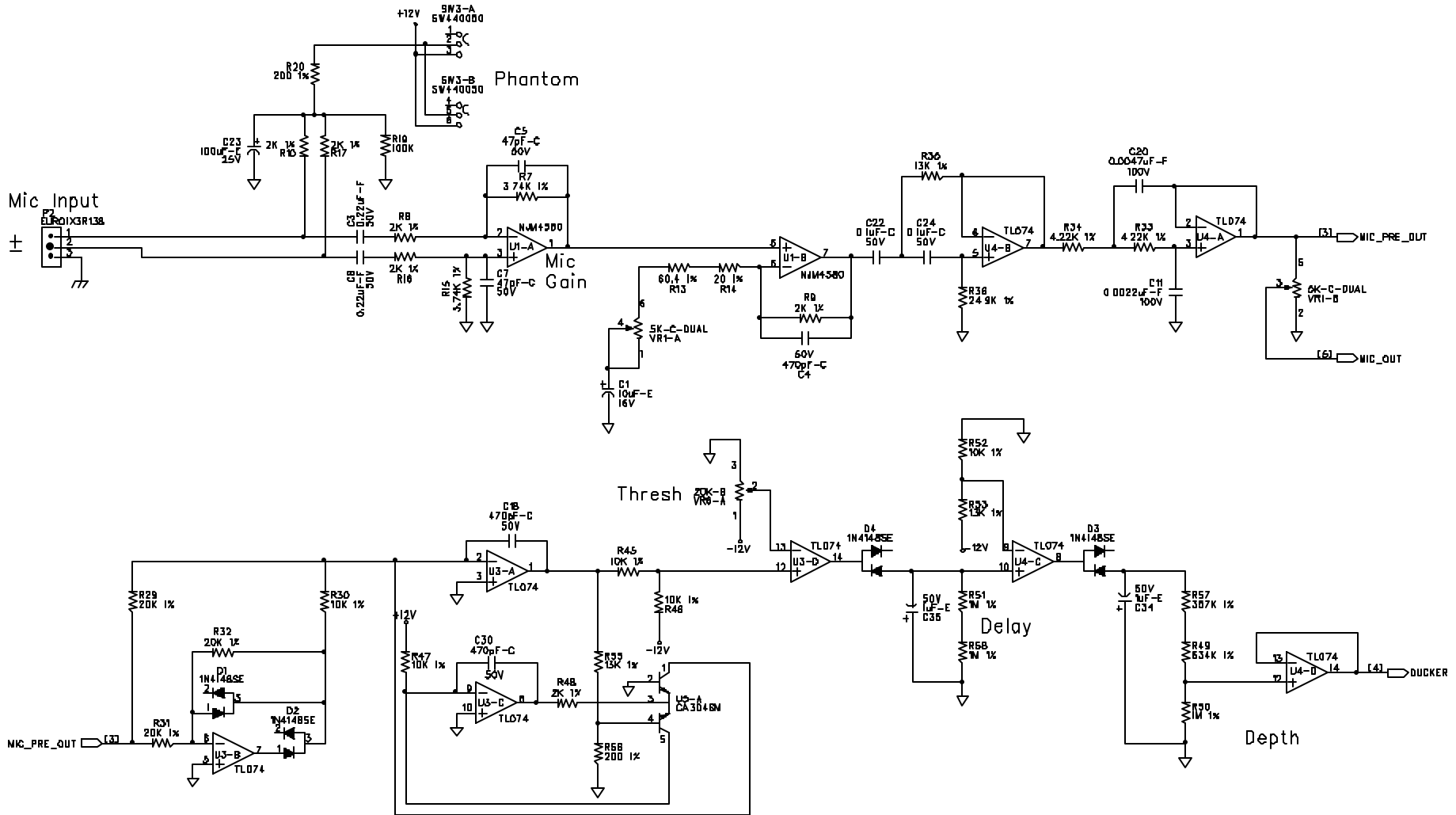
REV	DESCRIPTION	ECN #	INIT	DATE
A1	Fix Remote Volume Tapers: R130, R152, R153		XXXX	04-19-01
A0	Release To Production		XXXX	04-13-01
P2	PROTOTYPE: Final changes complete		XXXX WRC	03-08-01
P1	PROTOTYPE		XXXX WRC	12-13-00
P0	PROTOTYPE		XXXX WRC	11-13-00

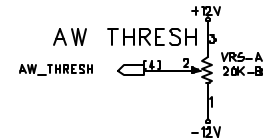
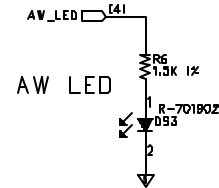
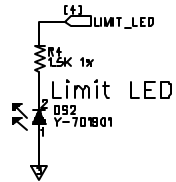
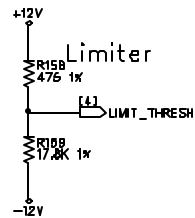
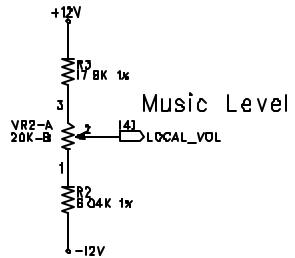
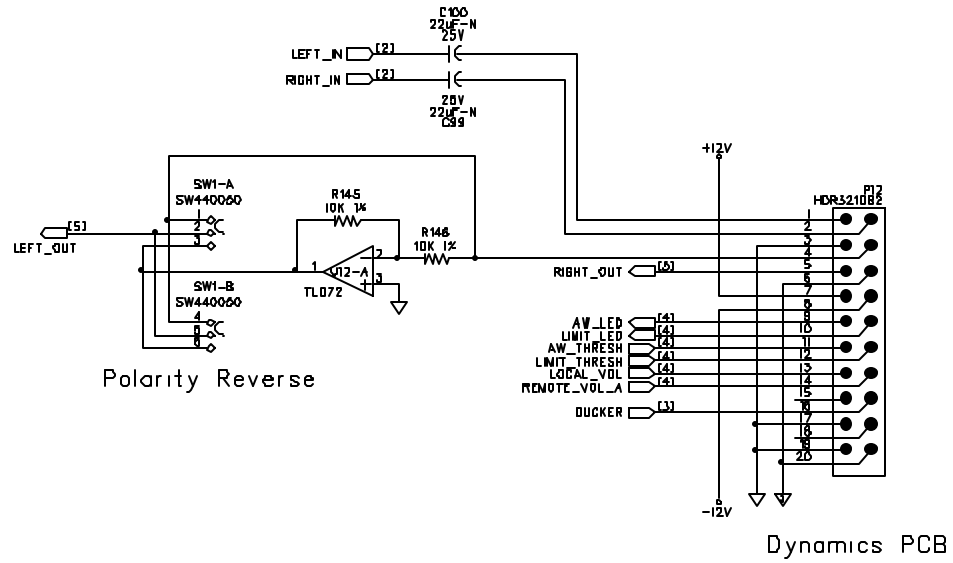
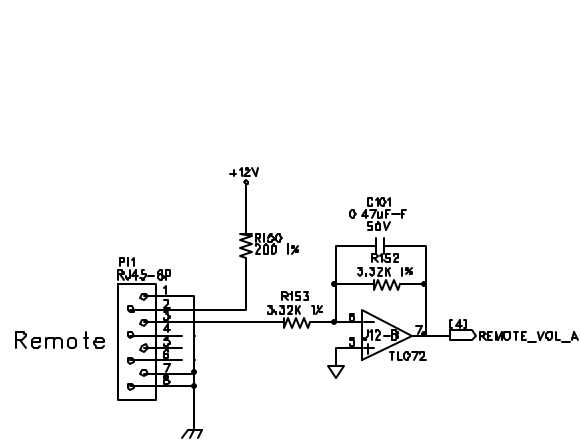
REVISION HISTORY				
<p><b>JBL Professional</b>                      0760 South Sandy Parkway Sandy Utah 84070</p>				
<p>TITLE:  <b>JBL SMS1</b>  <b>SOUNDZONE MUSIC SYSTEM</b></p>				
DESIGNER: Mark Carbridge		ENGINEER: JOHN C ELLIOT		
SIZE A	DRAWING NO 05-SMS1		REVISION A1	
DATE 04-19-01	FILENAME 05SMS1A1.SCH	SHEET 1 OF 7		



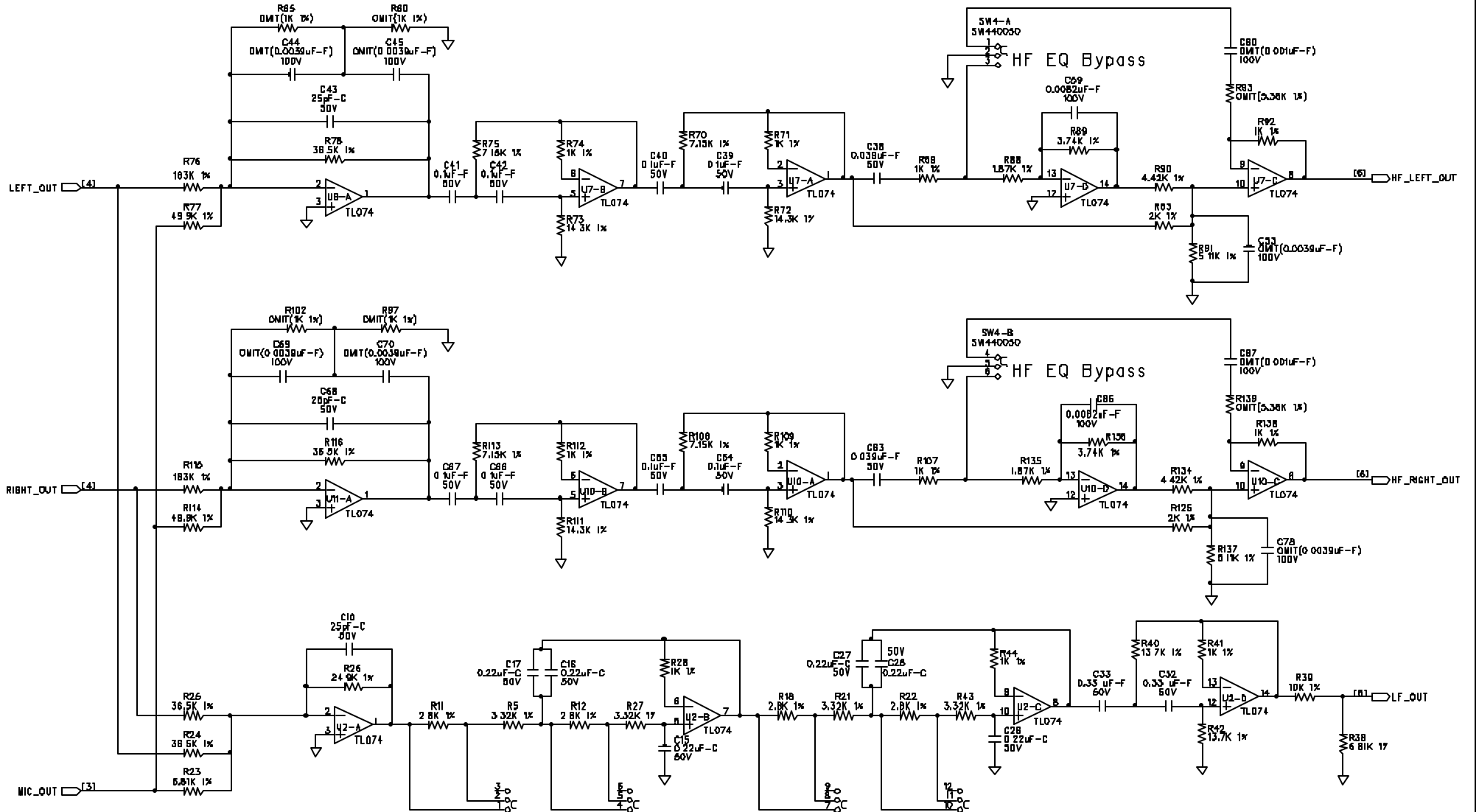




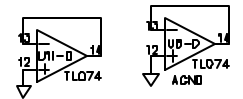
SIZE A	SHEET TITLE MICROPHONE	REVISION A1
DATE 04-19-01	DRAWING NO 05-SMS1	SHEET 3 OF 7



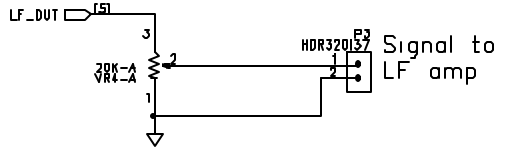
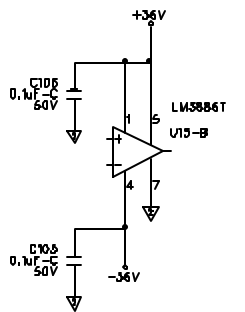
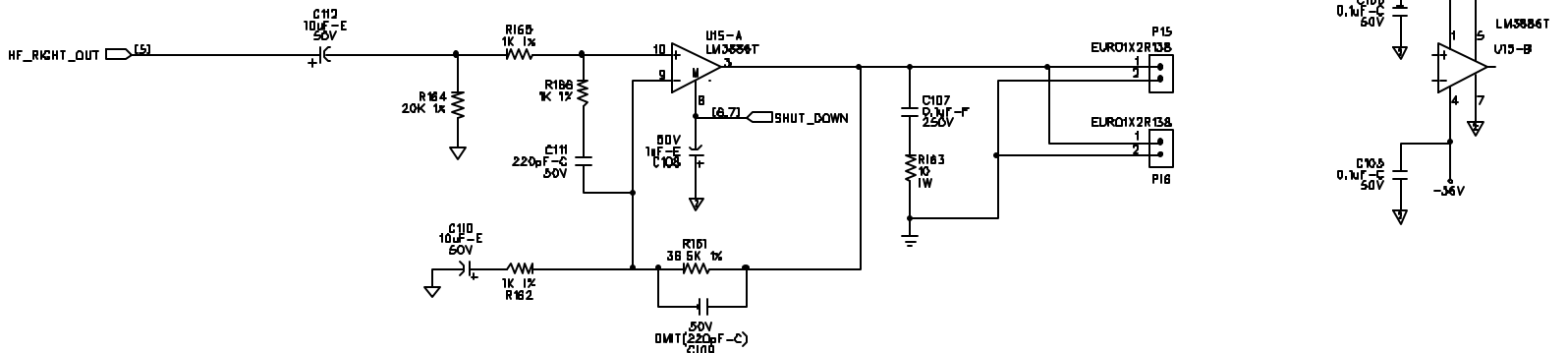
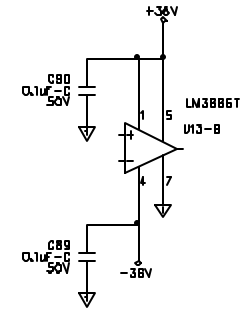
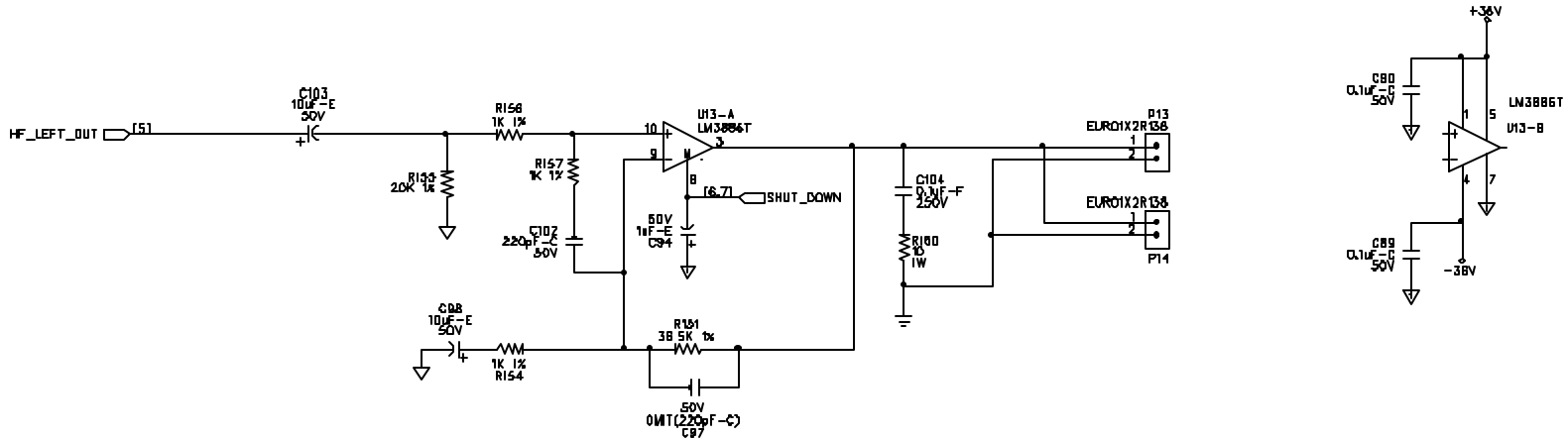
SIZE A	SHEET TITLE EXTERNAL CONTROLS	REVISION A1
DATE 04-19-01	DRAWING NO 05-SMS1	SHEET 4 OF 7



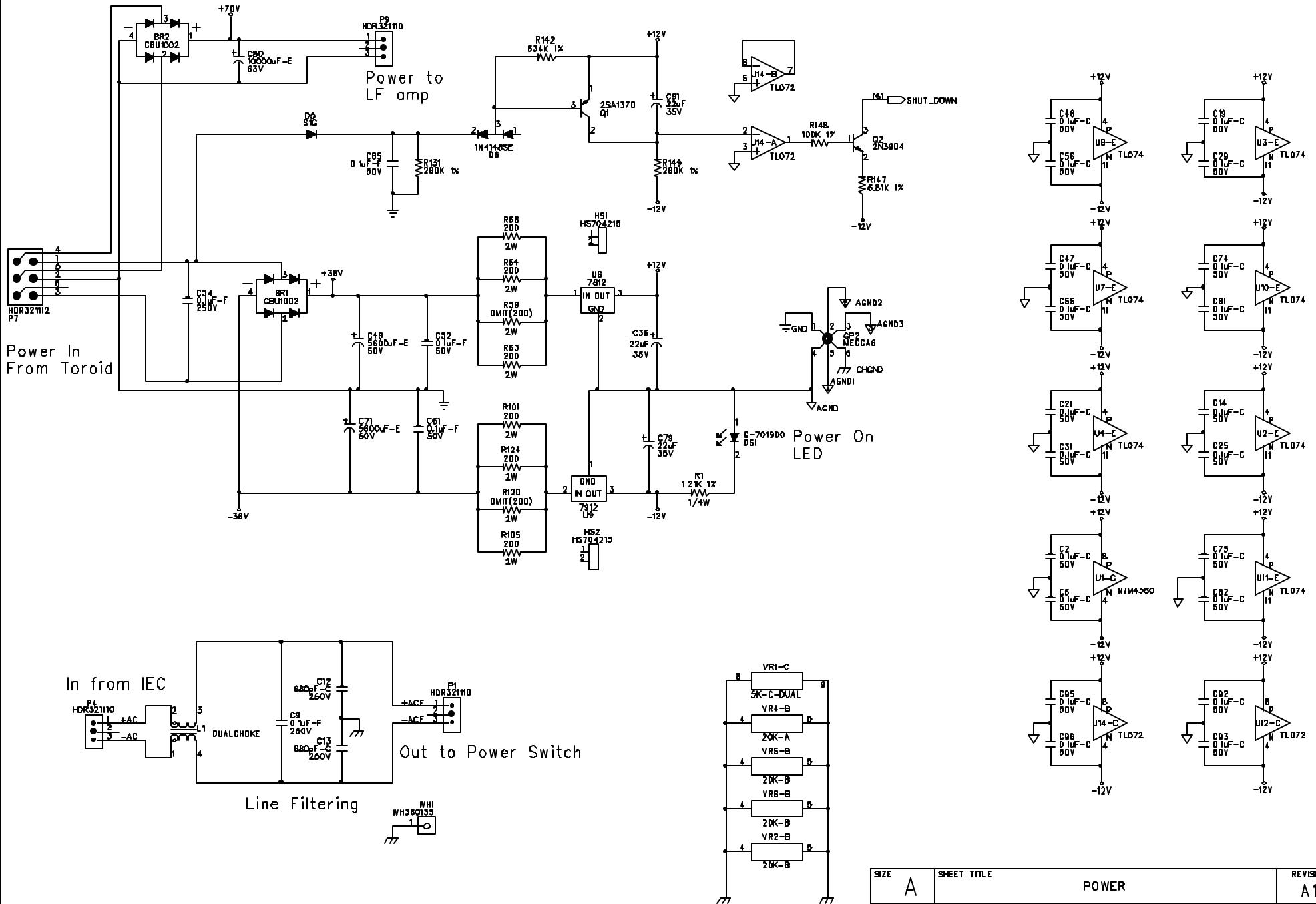
80Hz-100Hz Select  
 IN=80Hz  
 OUT=160Hz



SIZE	A	SHEET TITLE	FILTERING	REVISION	A1
DATE	04-19-01	DRAWING NO	05-SMS1	SHEET	5 OF 7



SIZE A	SHEET TITLE AMPLIFIERS	REVISION A1
DATE 04-19-01	05-SMS1	SHEET 8 OF 7



SIZE	SHEET TITLE	POWER		REVISION
A				A1
DATE:	04-19-01	DRAWING NO:	05-SMS1	SHEET 7 OF 7