

Technical Manual

JBL P726



SPECIFICATIONS

ACOUSTIC & ELECTRICAL SPECIFICATIONS:

- Nominal Impedance: LF: 8 ohm
HF: 8 ohm
- Power Rating: HF: 150 W Continuous Program above 1 kHz
LF: 300 W AES
- Frequency Response: 60 Hz - 16 kHz
- Sensitivity: LF: 100 dB (1m, 2.83V)
HF: 108 dB (1m, 2.83V)
- Crossover Frequency: Active C236

SYSTEM COMPONENTS:

- Cabinet: CP726
- Grill: GP726
- Low Frequency Transducer: 300 mm (12 in)
Cone Transducer (2020H)
- DC Resistance: 4.8 ohm \pm 10% Aluminium Wire

SYSTEM COMPONENTS:

- High Frequency Transducer: 100 mm (4 in)
Pure Titanium Diaphragm
Compression Driver (2447H)
- DC Resistance: 4.10 ohm \pm 8% Aluminium Wire

PHYSICAL SPECIFICATIONS:

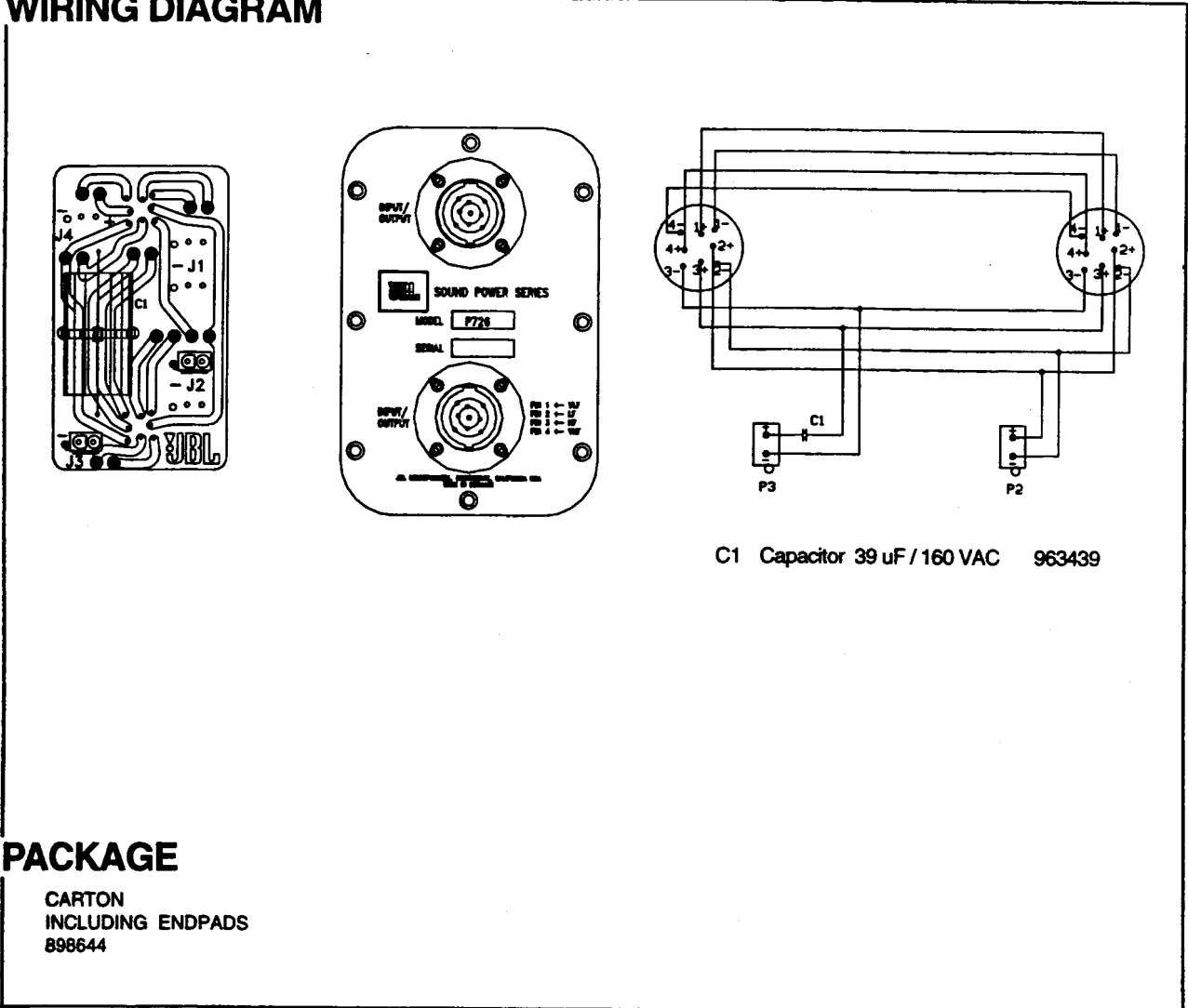
- Enclosure Dimensions: 650 x 503 x 480 mm
25.59 x 19.78 x 18.88 in)
- Shipping Weight: 45 kg (99 lb)

NEUTRIK CONNECTOR

- Pins 1 \pm = Loophrough
- Pins 2 \pm = Input LF
- Pins 3 \pm = Input HF
- Pins 4 \pm = Loophrough

⊕ Denotes outward cone movement with positive voltage applied to LF pin 2 + and HF pin 3 +.

WIRING DIAGRAM



PACKAGE

CARTON
INCLUDING ENDPADS
898644

JBL P726

JBL P726

COMPONENT EXPLODED VIEW

TO CHANGE DIAPHRAGM:
Unscrew the 4 screws holding
the horn, and turn anti-clockwise.

NOTE!
A complete horn consists
of 2 part numbers.

