

Technical Manual

JBL M360 MK II



SPECIFICATIONS

ACOUSTIC & ELECTRICAL SPECIFICATIONS:

- Nominal Impedance: 8 ohms
- Power Rating: 350 Watts IEC
- Frequency Response: (-10 dB) 35 Hz - 22 KHz
- Sensitivity: 99 dB*
- Crossover Frequency: 650 Hz - 4,5 KHz

SYSTEM COMPONENTS:

- Cabinets: CM360 MK II
- Grille: GM360 MK II
- Low Frequency Transducer: 380 mm (15 Inch) CONE

SYSTEM COMPONENTS: (cont'd)

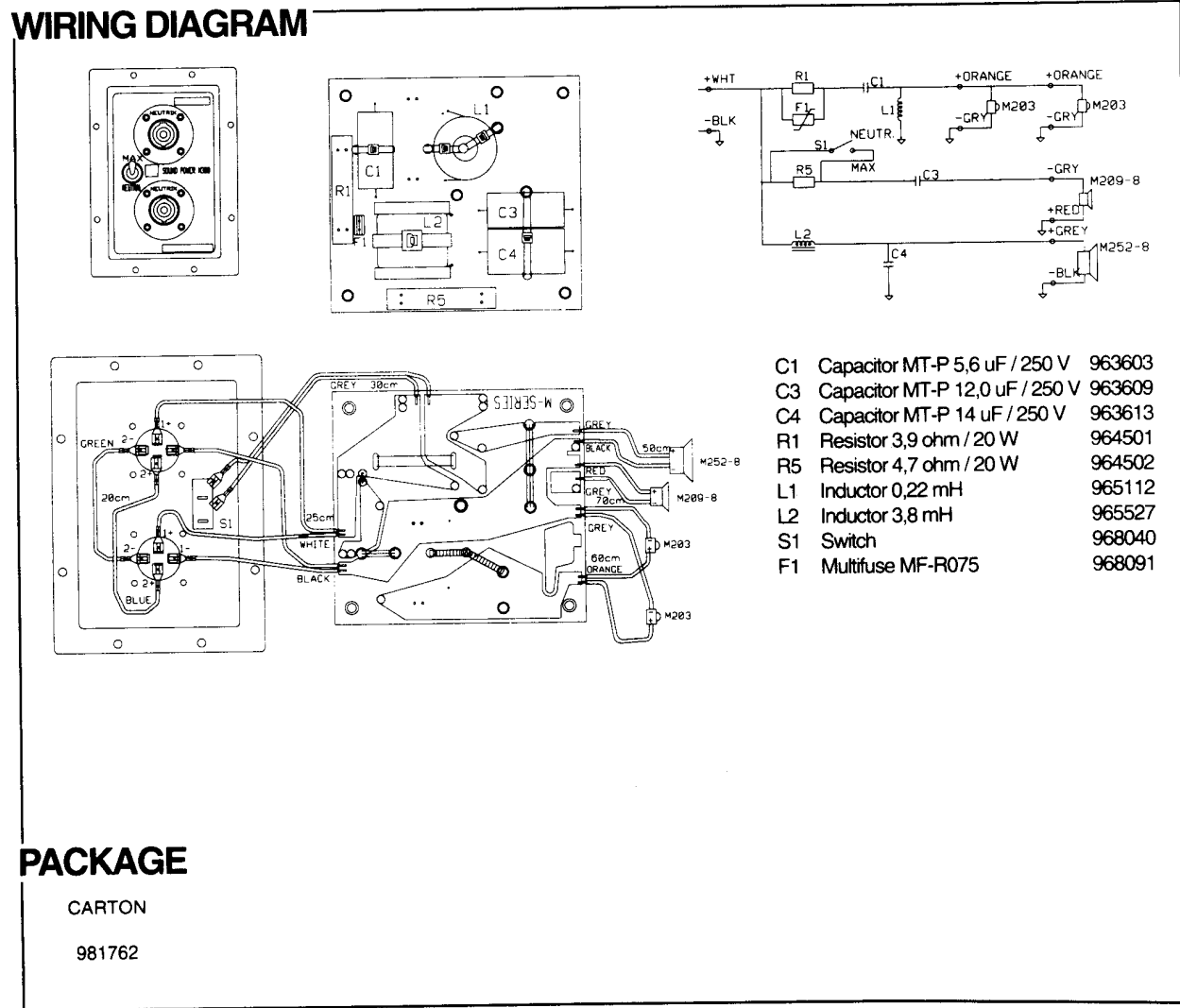
- Midrange Frequency Transducer: 200 mm (8 Inch) CONE
- High Frequency Transducer: Horn loaded tweeter
- Crossover Network: NM360 MK II

PHYSICAL SPECIFICATIONS:

- Enclosure Dimensions: 900 x 520 x 430 (D) mm
35,4 x 20,5 x 16,9 (D) Inch
- Shipping Weight: 50 Kg
110,5 lbs

*1 Watt (2,83 V RMS) @ 1 Meter

WIRING DIAGRAM



PACKAGE

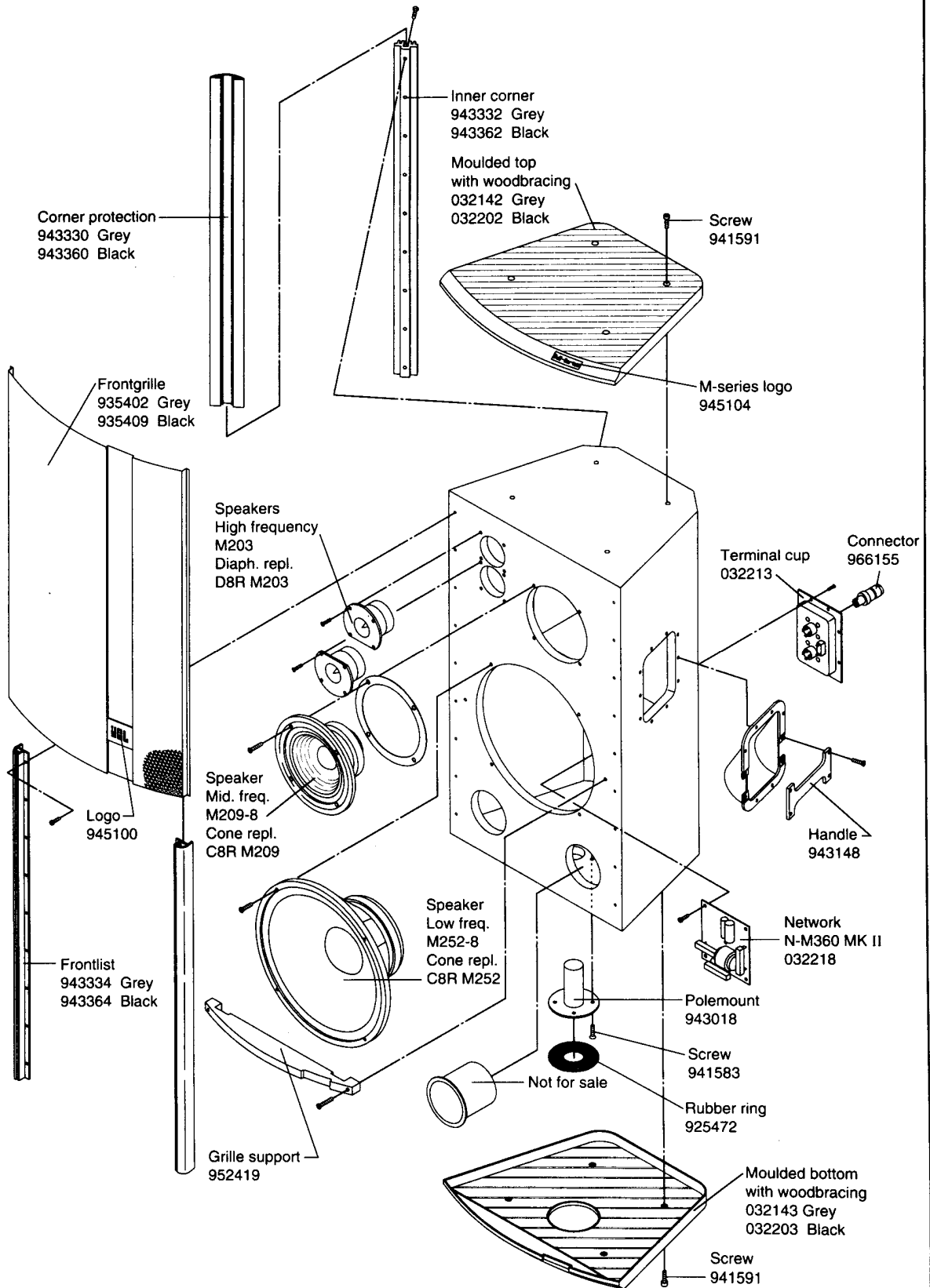
CARTON

981762

JBL M360 MK II

JBL M360 MK II

COMPONENT EXPLODED VIEW



JBL M360 MK II