

Technical Manual

# JBL M360



## SPECIFICATIONS

### ACOUSTIC & ELECTRICAL SPECIFICATIONS:

- Nominal Impedance: 8 ohms
- Power Rating: 350 Watts IEC
- Frequency Response: (-10 dB) 35 Hz - 22 KHz
- Sensitivity: 99 dB\*
- Crossover Frequency: 950 Hz - 4.5 KHz

### SYSTEM COMPONENTS:

- Cabinets: CM360
- Grille: GM360
- Low Frequency Transducer: 380 mm (15 Inch) CONE

### SYSTEM COMPONENTS: (cont'd)

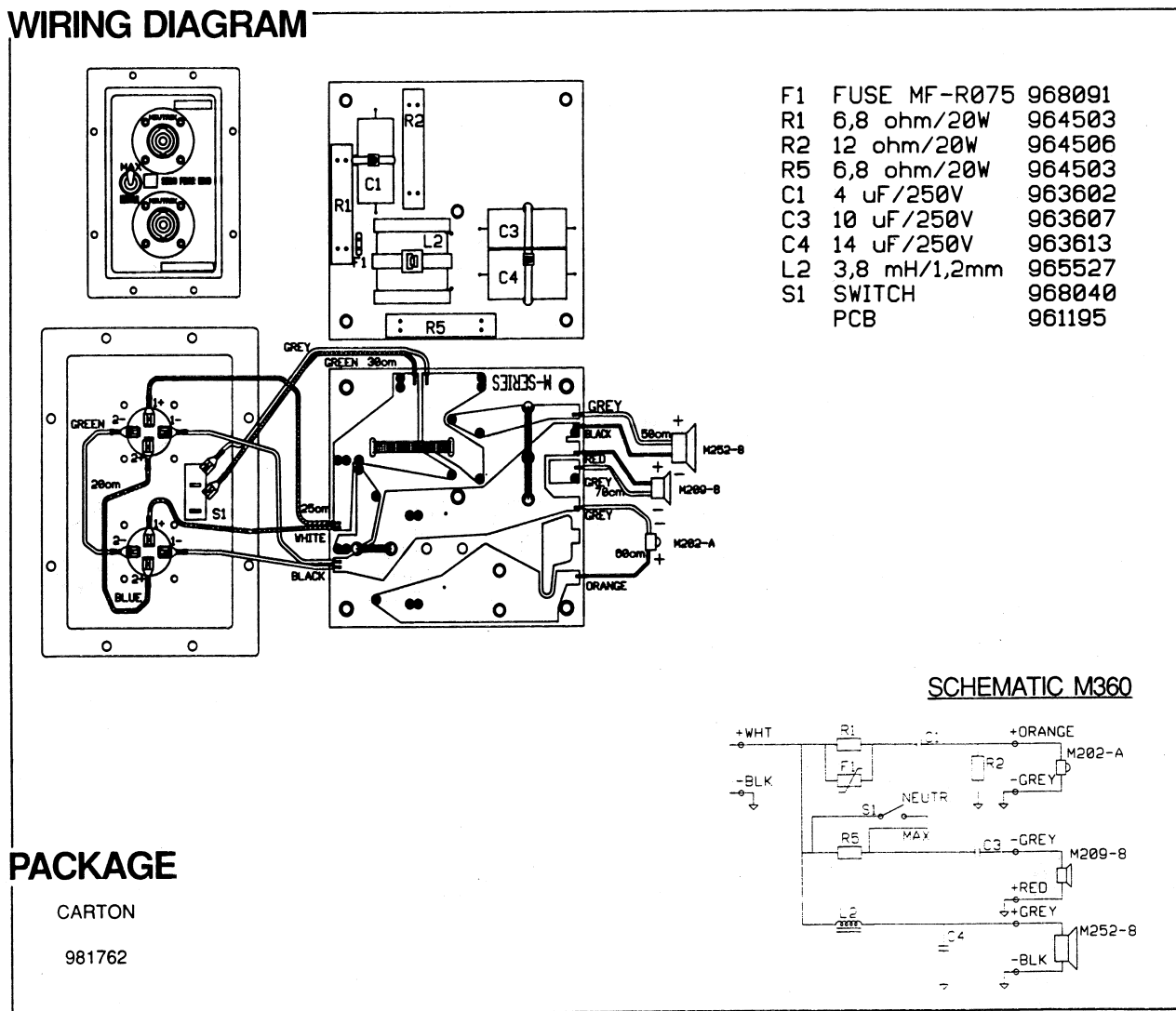
- Midrange Frequency Transducer: 200 mm (8 Inch) CONE
- High Frequency Transducer: Pure Titanium Diaphragm Horn loaded tweeter
- Crossover Network: NM360

### PHYSICAL SPECIFICATIONS:

- Enclosure Dimensions: 900 x 520 x 430 (D) mm  
35,4 x 20,5 x 16,9 (D) Inch
- Shipping Weight: 50 Kg  
110,5 lbs

\*1 Watt (2,83 V RMS) @ 1 Meter

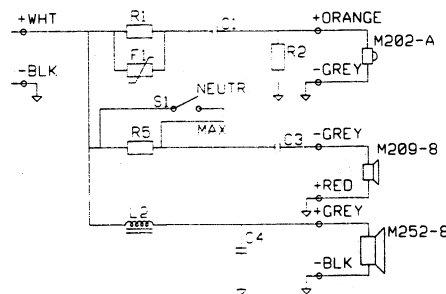
## WIRING DIAGRAM



## PACKAGE

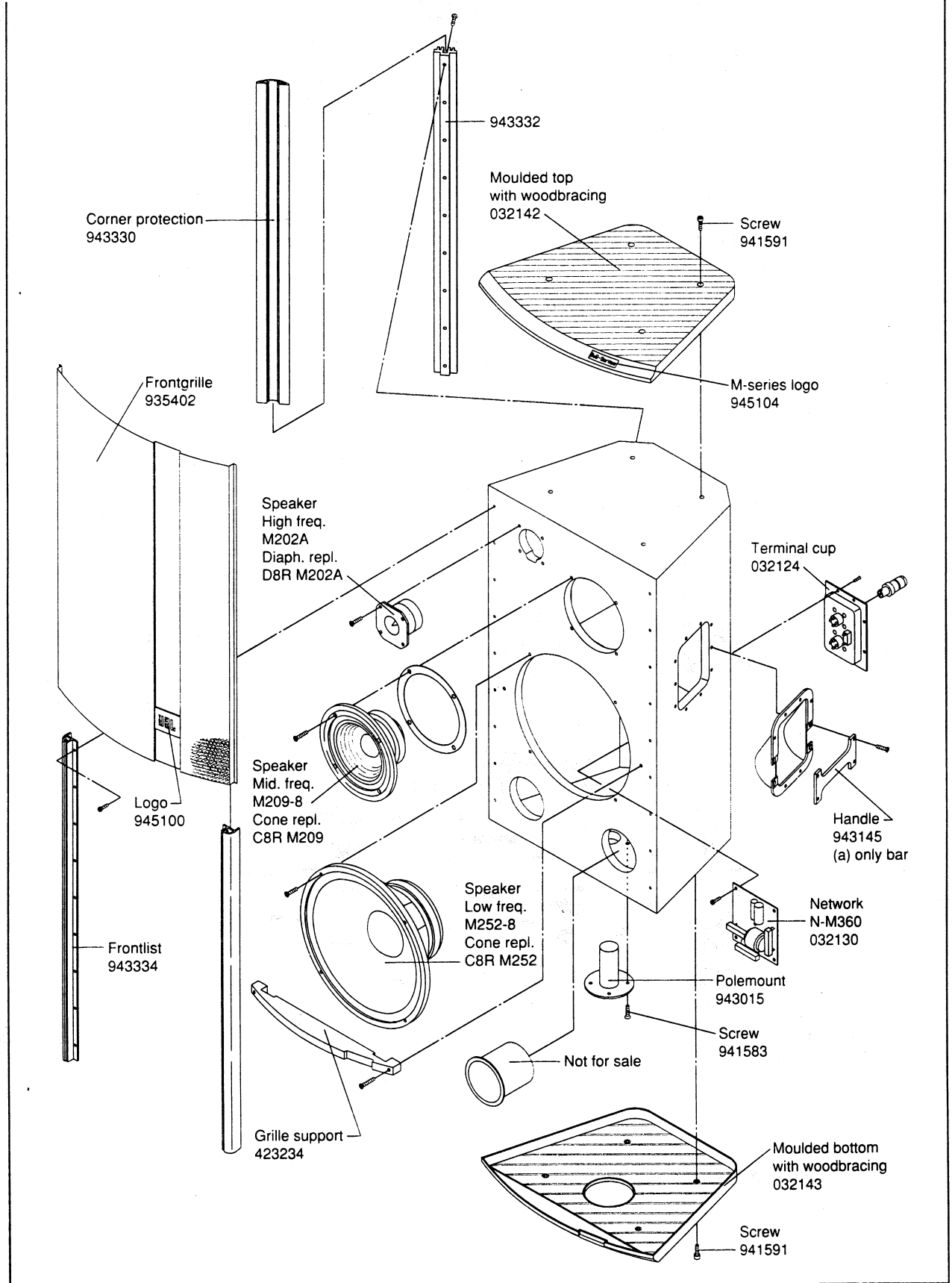
CARTON  
981762

### SCHMATIC M360



# JBL M360

## COMPONENT EXPLODED VIEW



JBL M360