

Technical Manual

# JBL M330



## SPECIFICATIONS

### ACOUSTIC & ELECTRICAL SPECIFICATIONS:

- Nominal Impedance: 8 ohms
- Power Rating: 350 Watts IEC
- Frequency Responce: (-10 dB) 45 Hz - 18 KHz
- Sensitivity: 99 dB\*
- Crossover Frequency: 1250 Hz

### SYSTEM COMPONENTS:

- Cabinets: CM330
- Grille: GM330
- Low Frequency Transducer: 300 mm (12 Inch) CONE

### SYSTEM COMPONENTS: (cont'd)

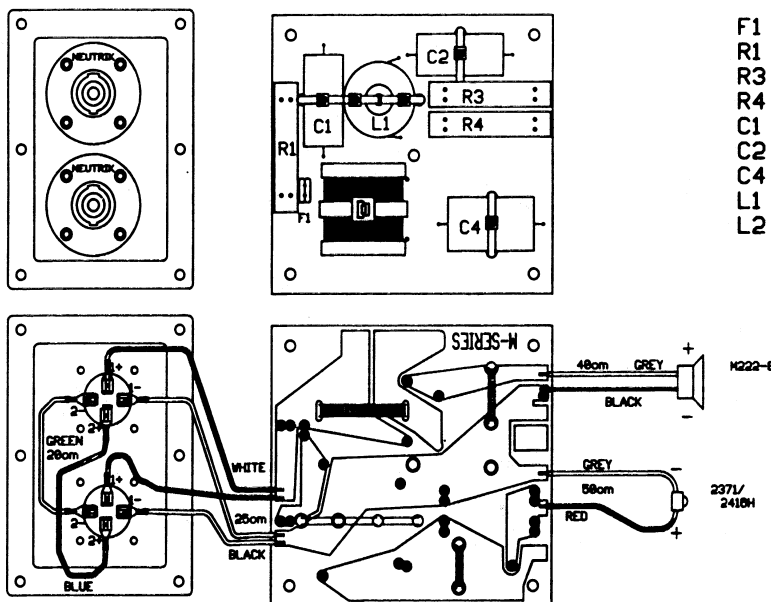
- High Frequency Transducer: 25 mm (1 Inch) Pure Titanium Diaphragm
- Crossover Network: NM330

### PHYSICAL SPECIFICATIONS:

- Enclosure Dimensions: 700 x 460 x 390 (D) mm  
27,6 x 18,1 x 15,4 (D) Inch
- Shipping Weight: 35 Kg  
77,4 lbs

\*1 Watt (2,83 V RMS) @ 1 Meter

## WIRING DIAGRAM



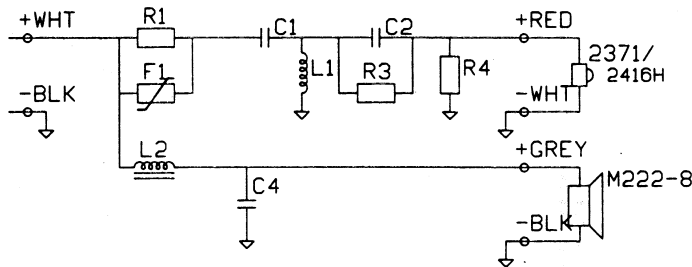
|    |              |        |       |
|----|--------------|--------|-------|
| F1 | FUSE MF-R090 | 968090 | 2 PCS |
| R1 | 3,9 ohm/20W  | 964501 |       |
| R3 | 3,9 ohm/20W  | 964501 |       |
| R4 | 6,8 ohm/20W  | 964503 |       |
| C1 | 8 uF/250V    | 963605 |       |
| C2 | 12 uF/250V   | 963609 |       |
| C4 | 10 uF/250V   | 963607 |       |
| L1 | 0,75mH/0,8mm | 965123 |       |
| L2 | 2,2mH/1,2mm  | 965556 |       |

SCHEMATIC M330

## PACKAGE

CARTON

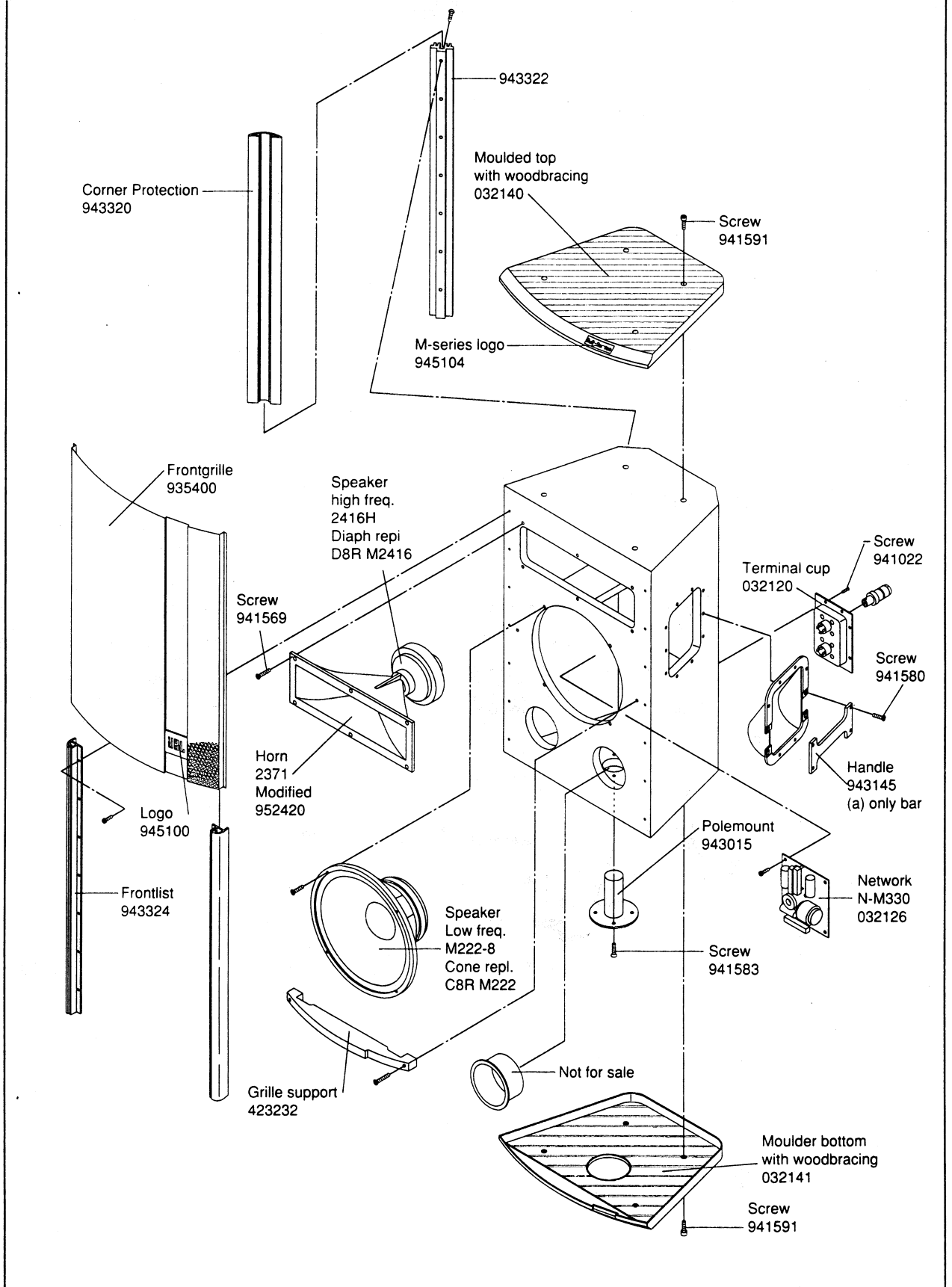
981750



JBL M330

# JBL M330

## COMPONENT EXPLODED VIEW



JBL M330