

Technical Manual

JBL I725AP

COMPACT BI-RADIAL™ SPEAKER SYSTEM



SPECIFICATIONS

ACOUSTIC & ELECTRICAL SPECIFICATIONS:

- Nominal Impedance: Passiv: 8 ohm
Active: LF 8 ohm, HF 8 ohm
- Power Rating: Passiv: 600W IEC
HF 100W continuous program above 1,2 kHz
LF 600W AES
- Frequency Response: 50 Hz-20 kHz
- Sensitivity: 95 dB (1 m, 2,83 V)*
- Crossover Frequencies: Passiv: 1200 Hz
Active: C 236

SYSTEM COMPONENTS:

- Cabinet: CP725AP
- Grille: CP725AP
- Low Frequency Transducer: 300 m (12 in) Cone Transducer (2206H)
- DC Resistance: 5,3 ohm ± 10% Aluminium Wire
- High Frequency Transducer: 25 mm (1 in) Pure Titanium Diaphragm Compression Driver (2426 H)

- DC Resistance: 3,2 ohm ± 8% Aluminium Wire
- Crossover Network: HF Network: 270643
LF Network: 270678

PHYSICAL SPECIFICATIONS:

- Enclosure Dimensions: 646 mm x 362 mm x 356 mm
(25 3/8 x 14 1/4 x 14 in)
- Shipping Weight: 29,5 kg (65 IBS)

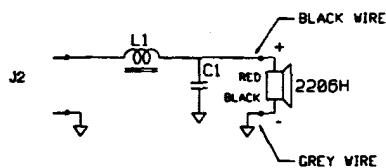
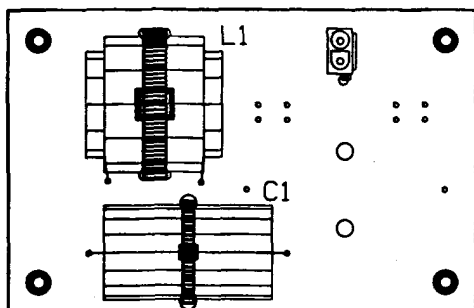
NEUTRIK CONNECTOR

Pins 1 ± = Loopthrough
 Pins 2 ± = Input FR (LF activ)
 Pins 3 ± = Input HF (Activ mode)
 Pins 4 ± = Loopthrough

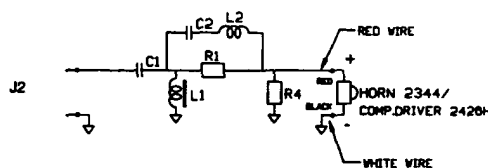
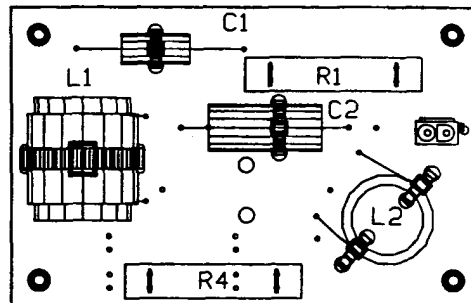
How to modify to Active version.
 Remove red/black input wire from input pc board. Remove wires to Transducers from the passiv pc boards. Mount the HF wire (red/wht) to J3, and the LF (grey/blk) to J2.

⊕ Denotes outward cone movement with positive voltage to pin 2 + (passiv mode), and pin 2 + LF and pin 3 + HF IN (Active mode)

WIRING DIAGRAM



- C1 Capacitor 33 uF / 250 V 933619
- L1 Inductor 3,2 mH 01,2 SP-FL 965571



- C1 Capacitor 4,7 uF / 250 V 963608
- C2 Capacitor 8,0 uF / 250 V 963605
- R1 Resistor 20 ohm / 20 W 964507
- R4 Resistor 6,8 ohm / 20 W 964503
- L1 Inductor 1,6 mH 01,2 SP-FL 965524
- L2 Inductor 0,025 mH ø1,0 air 965119

PACKAGE

CARTON
 INCLUDING ENDPADS
 898640

JBL I725AP

JBL I725AP

COMPONENT EXPLODED VIEW

