

Technical Manual



PROFESSIONAL

JBL SF22SP/230

SPECIFICATIONS

ACOUSTIC & ELECTRICAL SPECIFICATIONS:

- Nominal Impedance: 4 Ohms
- Amplifier Power: Continuous 300W with < 0.2% THD Peak 500W
- Frequency Range: 33Hz – 125 Hz (-10dB)
- Sensitivity: 95 dB SPL (1 Watt @1 Meter)
- Crossover Frequency: LPF: 100Hz, 24 dB/Oct Infrasonic Filter: 25 Hz, 18 dB/Oct

SYSTEM COMPONENTS:

- Cabinet: Enclosure (Not For Sale)
- Grille: 350069-001
- Low Frequency Transducer: (2) M212-8 , 300mm (12 in.) Cone Transducer
- DC Resistance: 5.55 ohm ±.3%

AURAL SWEEP TEST SPECIFICATIONS:

- A. System Aural Sweep Test: 0.5 Vrms for 300W Output (Sub Level Control Fully Clock-Wise) Sweep 20 Hz to 150 Hz
- B. L.F. Aural Sweep Test: 7.0V Input, 20 Hz to 200 Hz

PHYSICAL SPECIFICATIONS:

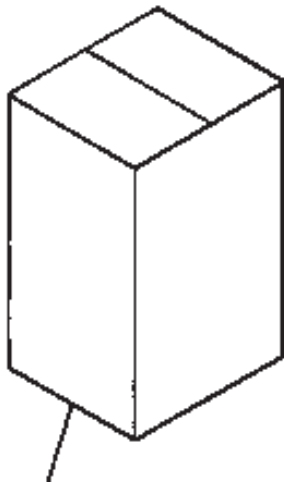
- Enclosure Dimensions: 810.3 x 463.6 x 850.1 mm D (31.90 x 18.25 x 33.47 in.D.)
- Net Weight: 126 lb (57.1 kg.) (Including Casters) 339804-001

WARRANTY INFORMATION:

- Refer to Warranty Statement packed with each product.

PACKAGE

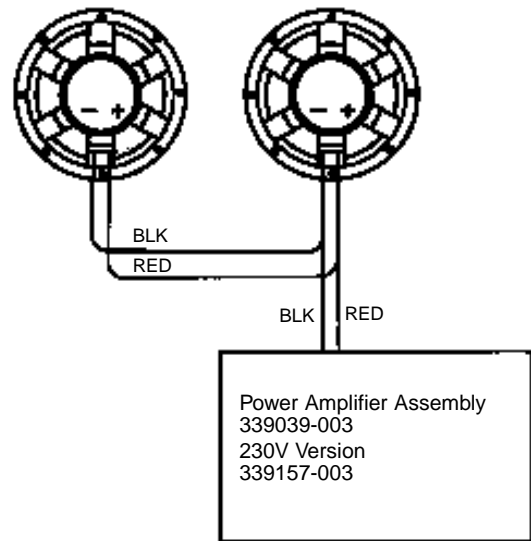
Warranty 59660
Owners Manual 350033-001



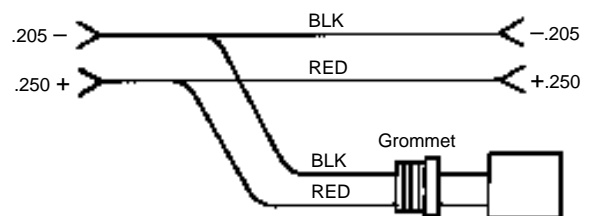
- Carton 339040-01
- Filler (2) 339041-001
- PKG, Microfoam (8) 49790P
- Carton, Caster 350494-001
- Filler, Caster 350034-001
- Caster (4), 339804-001
- Spkr, Pole MP255S Sub, 337315-001

WIRING DIAGRAM

Driver, Low Freq (2)
M212-8
(339014-003)



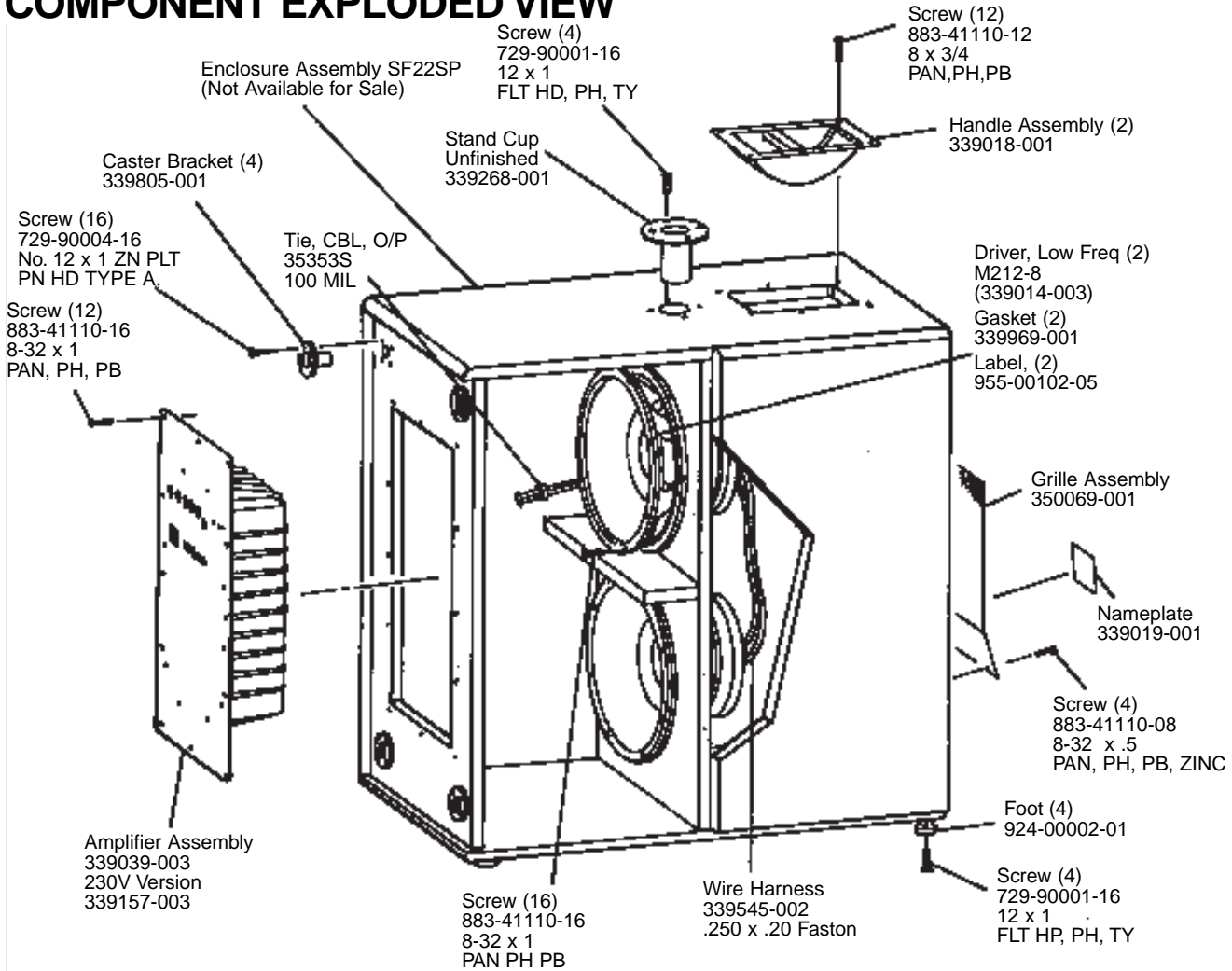
WIRE HARNESS (339545-002)



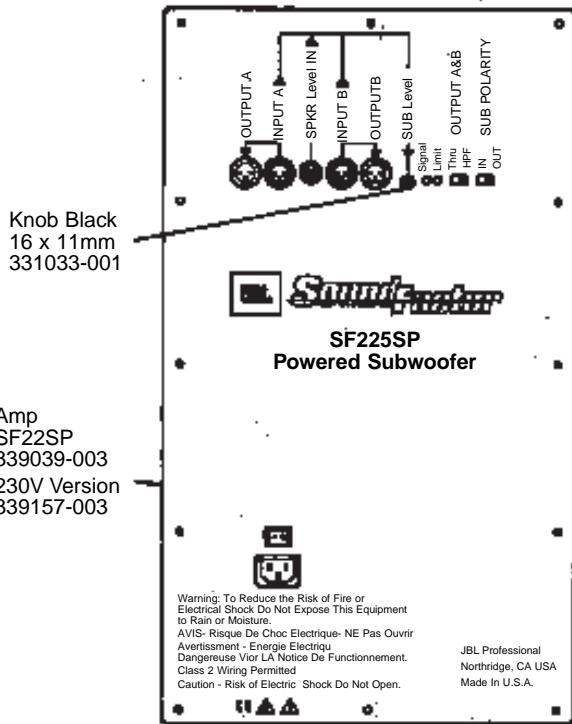
JBL SF22SP/230 REV L

JBL SF22SP/230

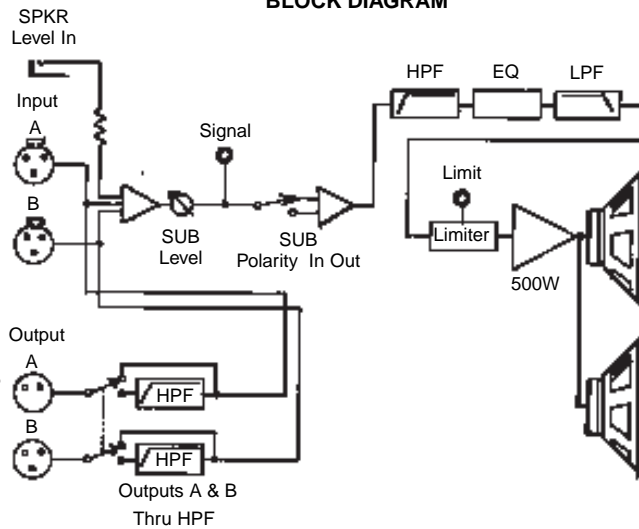
COMPONENT EXPLODED VIEW



PANEL

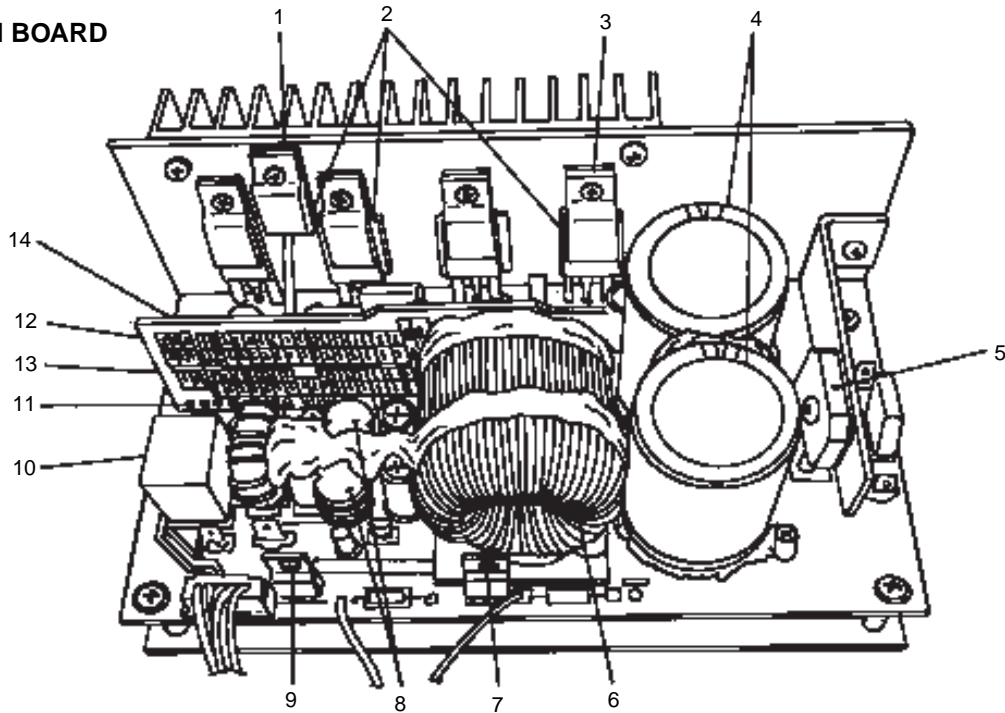


BLOCK DIAGRAM



COMPONENTS

MAIN BOARD

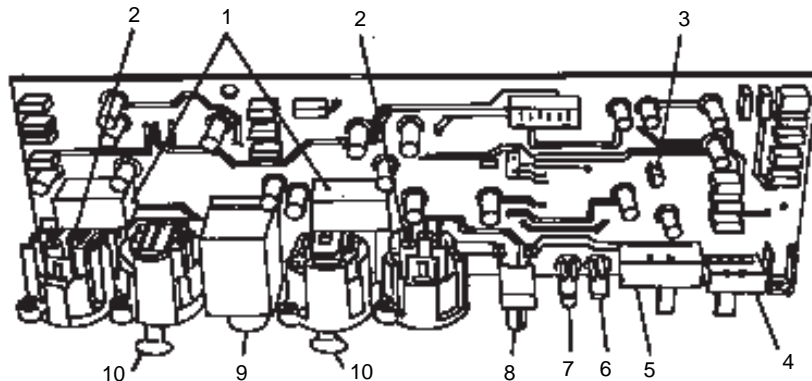


COMPONENT PARTS LIST: Main PCB 351044-001

Item	Part No.	Qty	Description	Ref. Des.
1	351047-001	1	TSE-103 K L:50MM	TH1
2	351056-001	4	IRFP250N	Q11,13,15,17
3	351036-001	5	Brkt Pwr Transistor	P. Transistors
4	351049-001	2	10000 UF63V	C1, C4
5	351059-001	1	400V, 8A	BR1
6	351053-001	1	70UH	L8
7	351060-001	1	LM317T	Q6

Item	Part No.	Qty	Description	Ref. Des.
8	351051-001	2	30MH	L9, L10
9	351061-001	2	LM337T	Q8
10	351070-001	1	48VDC RELAY	RLY1
11	351052-001	1	56 UH	L12
12	351072-001	1	SF22SP DRIVE	PIN 1 A
13	351398-001	1	7 PIN CONN	
14	331399-001	1	11 PIN CONN	

INPUT BOARD



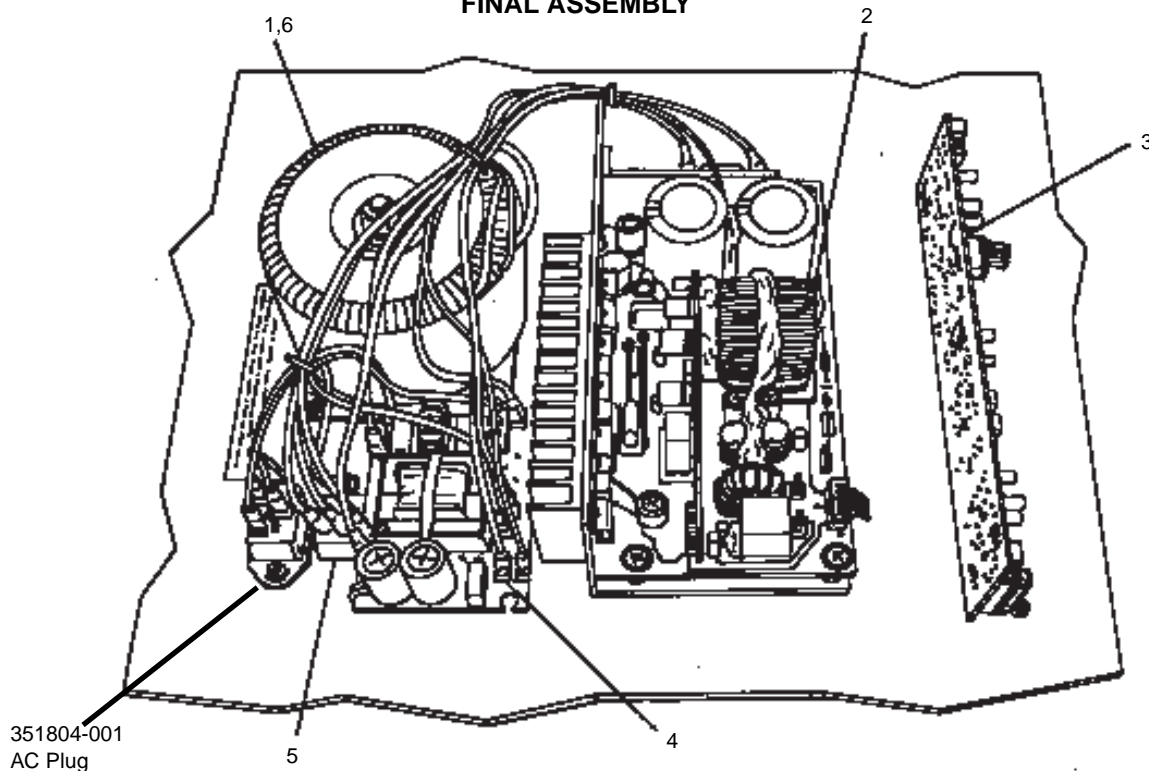
COMPONENT PARTS LIST: Input PCB 351086-001

Item	Part No.	Qty	Description	Ref. Des.
1	351104-001	2	TRS-5VDC	K1, K2
2	351098-001	2	PN: NC3MAH	JK201,JK204
3	351090-001	1	J113	Q206
4	351103-001	1	PO12BA-PA8 SW	S202
5	351102-001	1	P242BLB-PC10 SW	S201/SW201

Item	Part No.	Qty	Description	Ref. Des.
6	351089-001		PN: LT6431-81	D213
7	351088-001	1	PN: LT6421-81	D210
8	351087-001	1	PN: RD09L1120032-EJ	VR201
9	351100-001	1	PN: SCJ628R3 NAS1B00	JK1
10	351099-001	2	XLR (NEUTRIK)	JK202,JK204

COMPONENTS

FINAL ASSEMBLY



COMPONENT PARTS LIST: Final Assembly

Item	Part No.	Qty	Description
1	351032-001	1	PN:TTO-10654-01 Toroid Transformer 120V
2	351044-001	1	Main
3	351086-001	1	SF22SP Pre PCB
4	351105-001	1	Fuse/PT2 BD
5	351255-001	1	Power Switch
6	351619-002	1	PN;TTO-10655-02 Toroid Transformer 220V

FUSE – PT2 BD

COMPONENT PARTS LIST: Fuse PT2 BD 351105-001

Item	Part No.	Qty	Description	Ref. Des.
1	351109-001	1	200V, 2A	BR2
2	351106-001	2	4700UF/25V 85C	C15, C16
3	351107-001	1	PN: XG275M224VHS2	CXAC18
4	351108-001	1	324UH	L13
5	351111-001	1	7A/250V 5X20MM	F1

Fuse Holder, 351110-001

