

# Technical Manual

# JBL SRX728S



## SPECIFICATIONS

### ACOUSTIC & ELECTRICAL SPECIFICATIONS:

- Nominal Impedance: Parallel: 4 Ohms; Discrete: 8 ohms x 2
- Power Capacity: Continuous / Program / Peak  
Parallel: 1600W / 3200W / 6400W
- Frequency Range: 27 Hz – 220 Hz (-10 dB)
- Maximum SPL: 136 dB SPL peak
- System Sensitivity: Passive Mode 98 dB SPL (1 watt @ 1 meter)
- Recommend Cross-over Frequencies: 80 Hz, 24 dB / octave HPF  
-over Frequencies: 80 Hz, 24 dB / octave LPF

### SYSTEM COMPONENTS:

- Cabinet: Enclosure (Not For Sale)
- Grille: 353372-001
- Low Frequency Transducer: 2 2268HPL, 457 mm (18 in) Differential Driver woofer with neodymium-magnet & dual voice coils
- DC Resistance: 5.1 ohms ± 10%

### AURAL SWEEP TEST SPECIFICATIONS:

- A. System Aural Sweep Test: 10.0V Input, 20 Hz to 2 Hz
- B. L.F. Aural Sweep Test: 10.0V Input, 20 Hz to 2 kHz

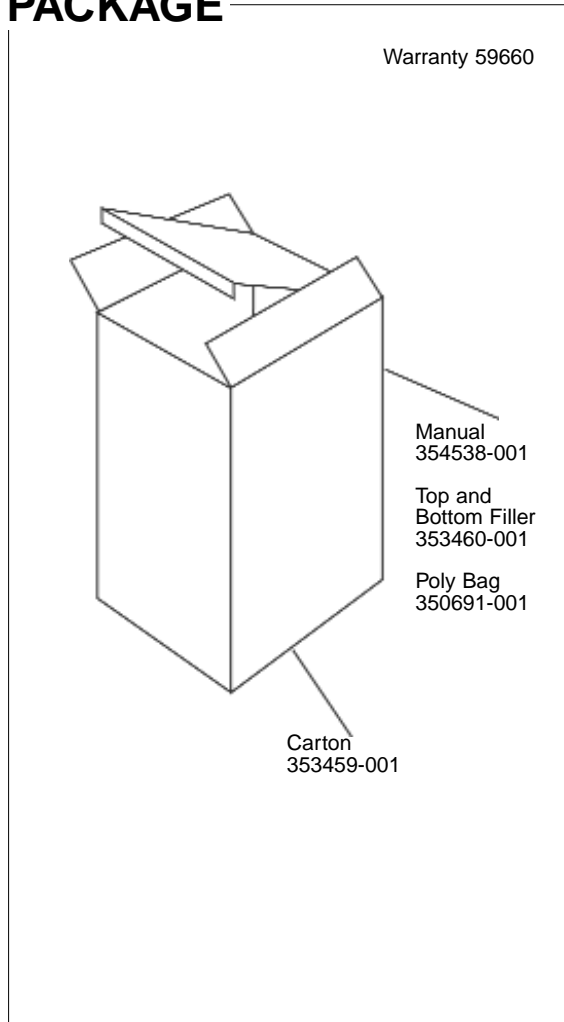
### PHYSICAL SPECIFICATIONS:

- Enclosure Dimensions: 602 x 1067 x 838mm D  
(23.7 x 42 x 33 in. D)
- Net Weight: 166.5 lb (76 kg.)

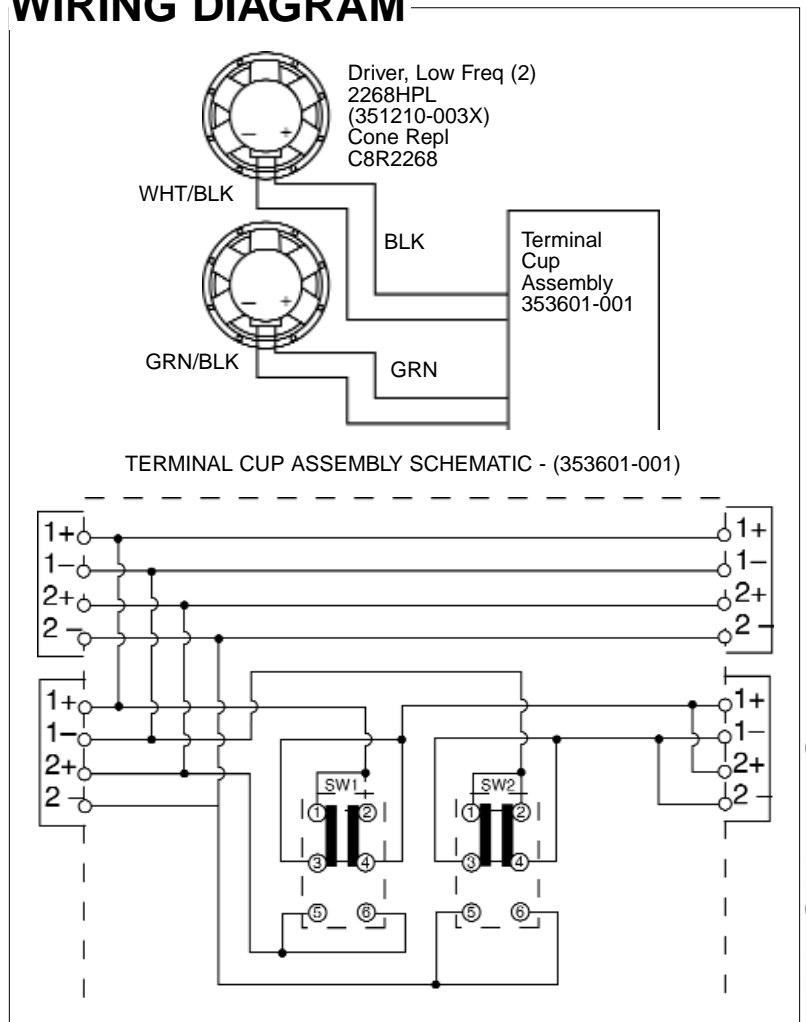
### WARRANTY INFORMATION:

- Refer to Warranty Statement packed with each product.

## PACKAGE



## WIRING DIAGRAM



# JBL SRX728S

## COMPONENT EXPLODED VIEW

