

Technical Manual

JBL SRX725/F



SPECIFICATIONS

PACOUSTIC & ELECTRICAL SPECIFICATIONS:

- Nominal Impedance: 4 Ohms
- Power Capacity: Continuous Program / Peak:
Passive: 1200W / 2400W / 4800W
Bi-amp L.F: 1200W / 2400W / 4800W
Bi-amp H.F: 75W / 150W / 300W
- Frequency Range: 37 Hz – 20 kHz (-10 dB)
- Maximum SPL: 136 dB SPL peak
L.F. 134 dB SPL cont avg (140 dB peak)
H.F. 133 dB SPL cont avg (139 dB peak)
Passive mode: 134 dB SPL cont avg (140 dB peak)
- System Sensitivity: Passive Mode 99 dB SPL (1 watt @ 1 meter)
- Passive Crossover: Bi-am / passive, externally switchable
HP and LP, 1.2 kHz

SYSTEM COMPONENTS: (CONT'D)

- Transducer: magnet compression driver
- DC Resistance: 4.1 ohms ± 8%
- Crossover Network: 353342-001

AURAL SWEEP TEST SPECIFICATIONS:

- A. System Aural Sweep Test: 10.0V Input, 20 Hz to 20 kHz
- B. L.F. Aural Sweep Test: 10.0V Input, 20 Hz to 1 kHz
- C. H.F. Aural Sweep Test: 2.83V Input, 550 Hz to 20 kHz

PHYSICAL SPECIFICATIONS:

- Enclosure Dimensions: 1219 x 541 x 508 mm D
(48.0 x 21.3 x 27.20 in. D)
- Net Weight: 100 lb (45 kg.)

WARRANTY INFORMATION:

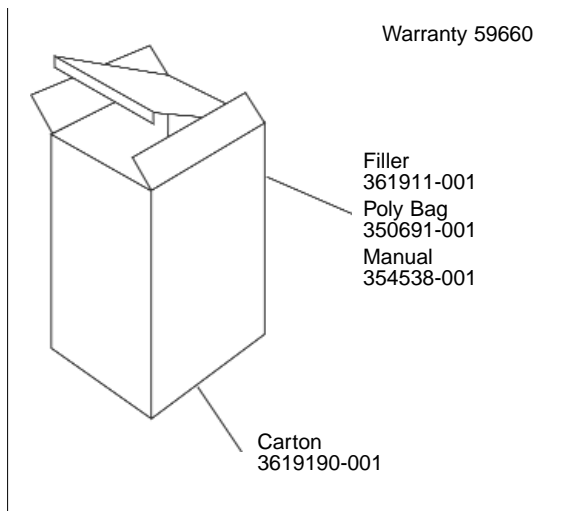
- Refer to Warranty Statement packed with each product.

SYSTEM COMPONENTS:

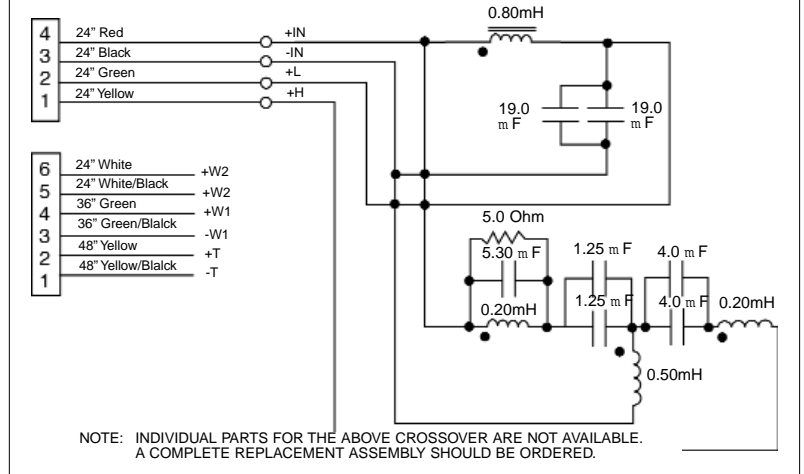
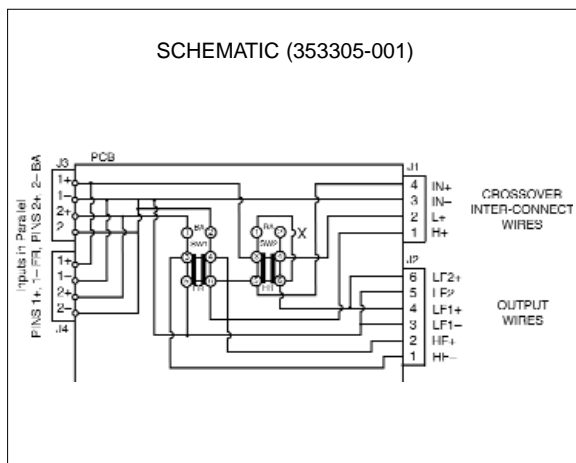
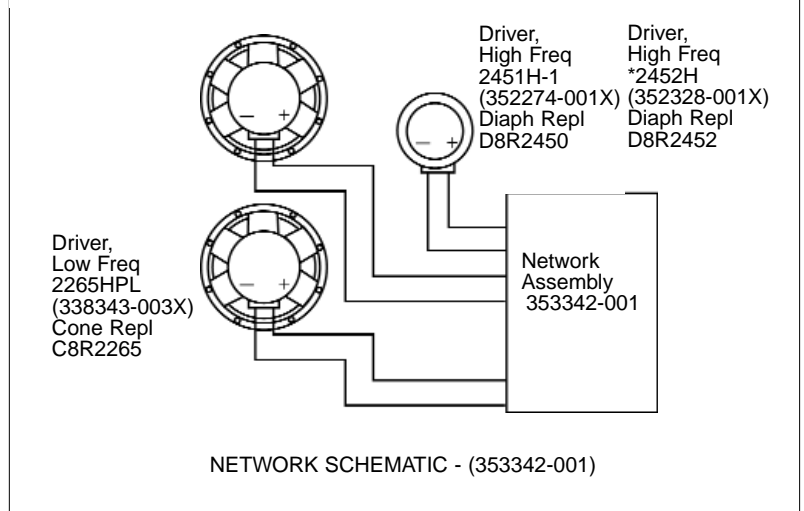
- Cabinet: Enclosure (Not For Sale)
- Grille: 353310-001
- Low Frequency Transducer: 2 2265HPL, 380 mm (15 in) Differential Driver woofer with neodymium-magnet & dual voice coils
- DC Resistance: 4 ohms
- High Frequency: 102 mm (4 in) voice coil, neodymium-

* SRX725 starting with serial number SRX725-15053.
* SRX725F on all models manufactured after 2005

PACKAGE



WIRING DIAGRAM



JBL SRX725/F REV R

JBL SRX725/F

COMPONENT EXPLODED VIEW

Horn
352606-002

Gasket, Horn
353444-002

Screw (10)
804-41110-16
10-32 x 1
PAN, PH, BLK ZINC,
LCS

Sticker (2)
Horn
337882-001

Lock Washer, Horn (2)
844-03100-03

Network Assembly
353342-001
Screw (4)
882-41110-10
6 x 5/8
PAN, PH, PB,
BLK ZINC, LCS

Driver,
High Freq
2451H-1
(352274-001X)
Diaph Repl
D8R2450

Screw (2)
806-73004-10
1/4-20 x 3/8
SKT, HEX, BLK
ZINC, ALLOY
Driver

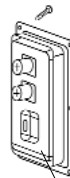
Driver,
High Freq
2452H
(352328-001X)
Diaph Repl
D8R2452

L Bracket (5)
353296-001
Bolt (10)
352051-001
M10 x 25mm
Hex (black)

Screw (10)
883-41110-08
#8 x 0.5
PAN, PH, PB, BLK ZINC,
LCS

Flying Track (5)
353314-001

Screw (15)
354468-001
M6 x 20
HEX, SKT, Flat,
MCS, BLK



Terminal Cup Assy
353305-001
Input Plate Overlay
354430-002

Input Plate Overlay/F
354430-007

Screw (6)
882-41110-10
6 x 5/8
PAN, PH, PB, BLK
ZINC, LCS

Gasket, Handle
382-00337-00

Handle
923-00022-06

Screw (8)
Handle-Metal
804-41110-12
10-32 x 3/4
PAN, PH, BLK ZINC, LCS

Screw (12)
Handle - Wood
844-41110-12
10 x 3/4
PAN, PH, PB, BLK ZINC,
LCS

Grille Assembly
353310-001
Grille Badge
353849-001
Screw (2)
882-51110-12
6 x 3/4
OV, PH, PTCL,
BLK ZINC, LCS

Driver, Low Freq (2)
2265HPL
(338343-003X)
Cone Repl
C8R2265
Screw (16)
804-01110-16
10-32 x 1
FIL, PH, BLK ZINC,
LCS

Gasket, (2)
360-70002-01

Dust Dome
71646-04

T-Nut (26)
61861
10-32 x 7/16
Step Barrel

Foot (4)
353445-001

Screw (4)
884-41110-12
10-32 x 3/4
PAN, PH, PB,
BLK ZINC, LCS

Enclosure Assembly
SRX725F
(Not Available for
Sale)