

Technical Manual



JBL SRX718S

SPECIFICATIONS

ACOUSTIC & ELECTRICAL SPECIFICATIONS:

- Nominal Impedance: 8 Ohms
- Power Capacity: Continuous / Program / Peak:
Passive: 800W / 1600W / 3200W
- Frequency Range: 31 Hz – 220 Hz (–10 dB)
- Maximum SPL: 130 dB SPL peak (1 watt @ 1 meter)
- System Sensitivity: Passive Mode 95 dB SPL (1 watt @ 1 meter)
- Crossover Freq.: 30 Hz, 24 dB / octave HPF
80 Hz, 24 dB / octave LPF

SYSTEM COMPONENTS:

- Cabinet: Enclosure (Not For Sale)
- Grille: 352248-001
- Low Frequency Transducer: 2268H, 457 mm (18 in) Differential Driver Woofer
- DC Resistance: 5.1 ohms ± 10%
- Crossover Network: 353601-001

AURAL SWEEP TEST SPECIFICATIONS:

- A. System Aural Sweep Test: 10.0V Input, 20 Hz to 1 kHz
- B. L.F. Aural Sweep Test: 10.0V Input, 20 Hz to 1 kHz

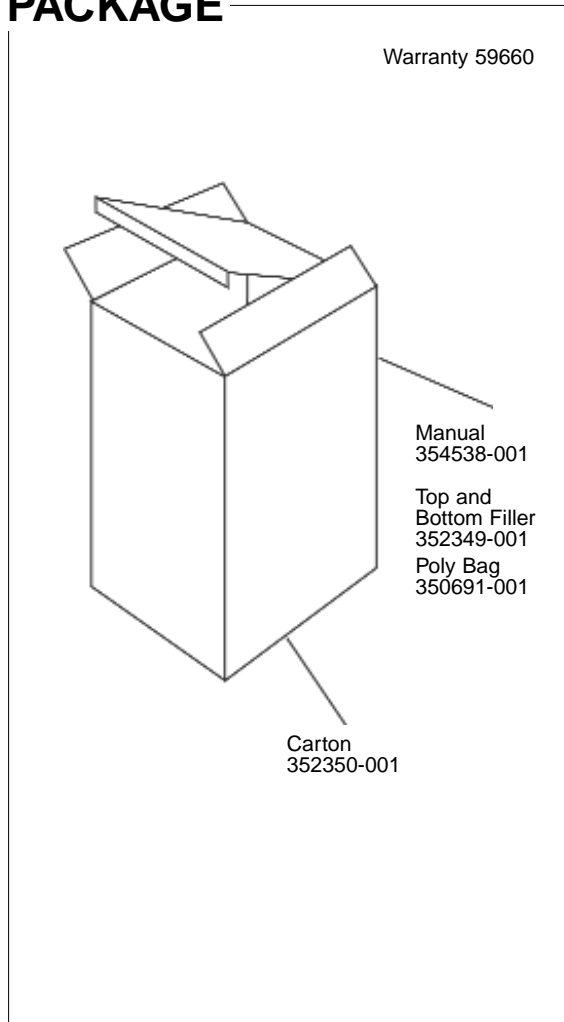
PHYSICAL SPECIFICATIONS:

- Enclosure Dimensions: 508 x 597 x 749 mm D
(20.0 x 23.5 x 29.5 in. D)
- Net Weight: 79 lb (36 kg.)

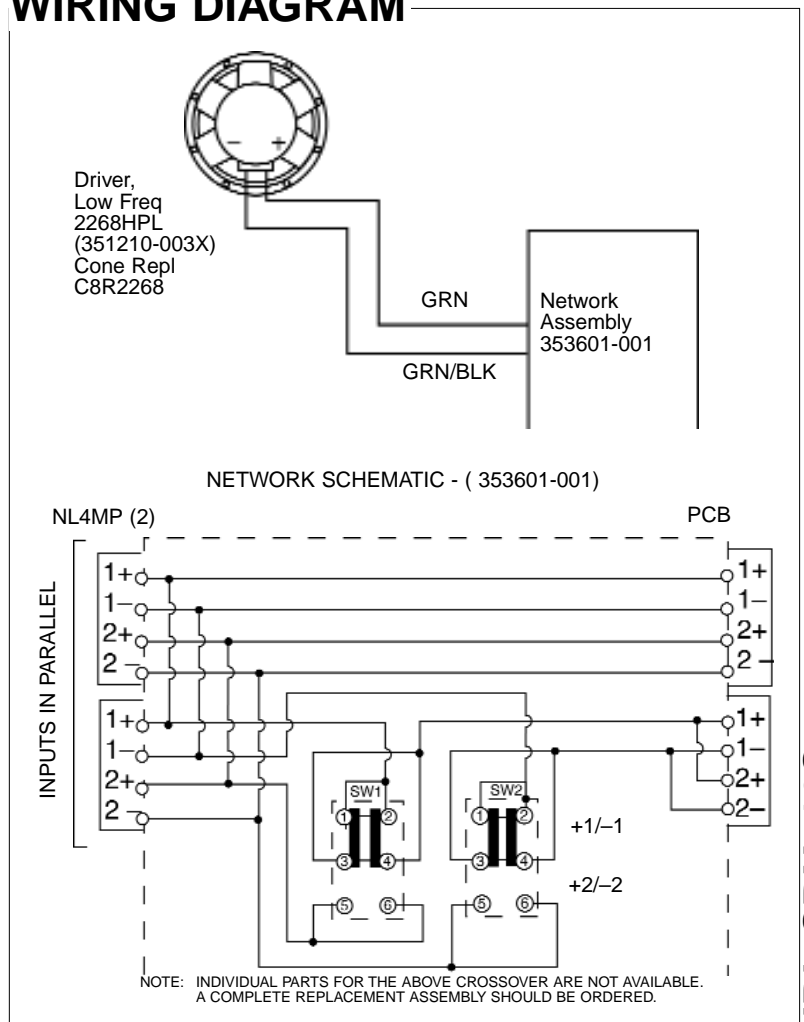
WARRANTY INFORMATION:

- Refer to Warranty Statement packed with each product.

PACKAGE



WIRING DIAGRAM



JBL SRX718S REV H

JBL SRX718S

COMPONENT EXPLODED VIEW

