

Technical Manual



JBL SRX712M

SPECIFICATIONS

ACOUSTIC & ELECTRICAL SPECIFICATIONS:

- Nominal Impedance: 8 Ohms
- Power Capacity: Continuous / Program / Peak:
Passive: 800W / 1600W / 3200W
Bi-amp LF: 800W / 1600W / 3200W
Bi-amp HF: 75W / 150W / 300W
- Frequency Range: 70 Hz – 20 kHz (-10 dB)
- Maximum SPL: 131 dB SPL peak (1 Watt @ 1 Meter)
- System Sensitivity: Passive Mode 96 dB SPL (1 Watt@ 1 Meter)
- Crossover Freq.: 1.2 kHz

SYSTEM COMPONENTS:

- Cabinet: Enclosure (Not For Sale)
- Grille: 352248-001
- Low Frequency
Transducer: 2262H, 305 mm (12 in) Differential Drive Woofer
- DC Resistance: 5.1 ohms ± 10%
- High Frequency
Transducer: 2431H, 75 mm (3 in) voice coil, neodymium compression driver
- DC Resistance: 4 ohms ± 10%
- Crossover Network: 353425-006

AURAL SWEEP TEST SPECIFICATIONS:

- A. System Aural Sweep Test: 10.0V Input, 20 Hz to 20 kHz
- B. L.F. Aural Sweep Test: 10.0V Input, 20 Hz to 1 kHz
- C. H.F. Aural Sweep Test: 2.83V Input, 550 Hz to 20 kHz

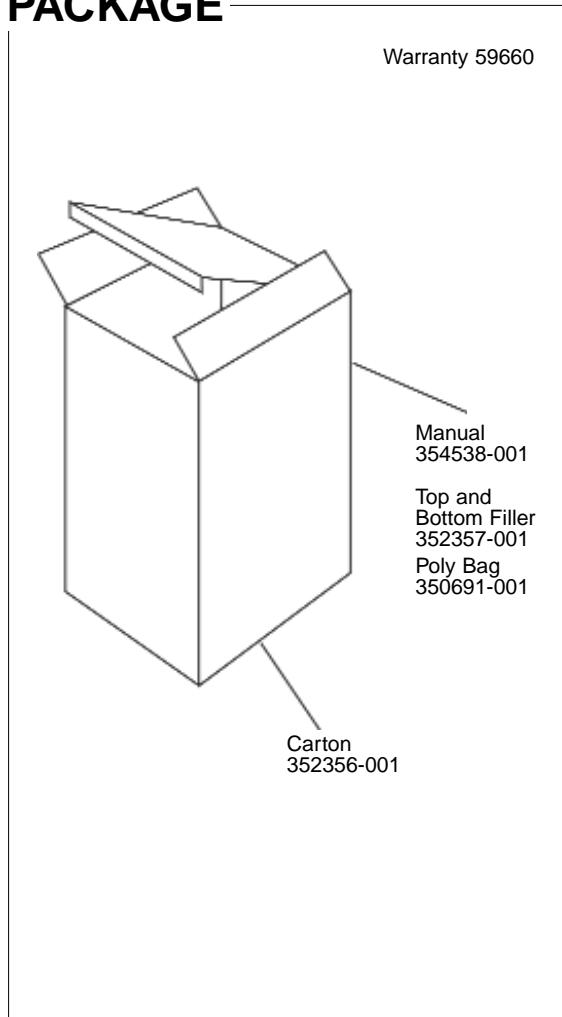
PHYSICAL SPECIFICATIONS:

- Enclosure Dimensions: 349 x 546 x 260 mm D
(13.75 x 21.5 x 10.25 in. D)
- Net Weight: 33 lb (15 kg.)

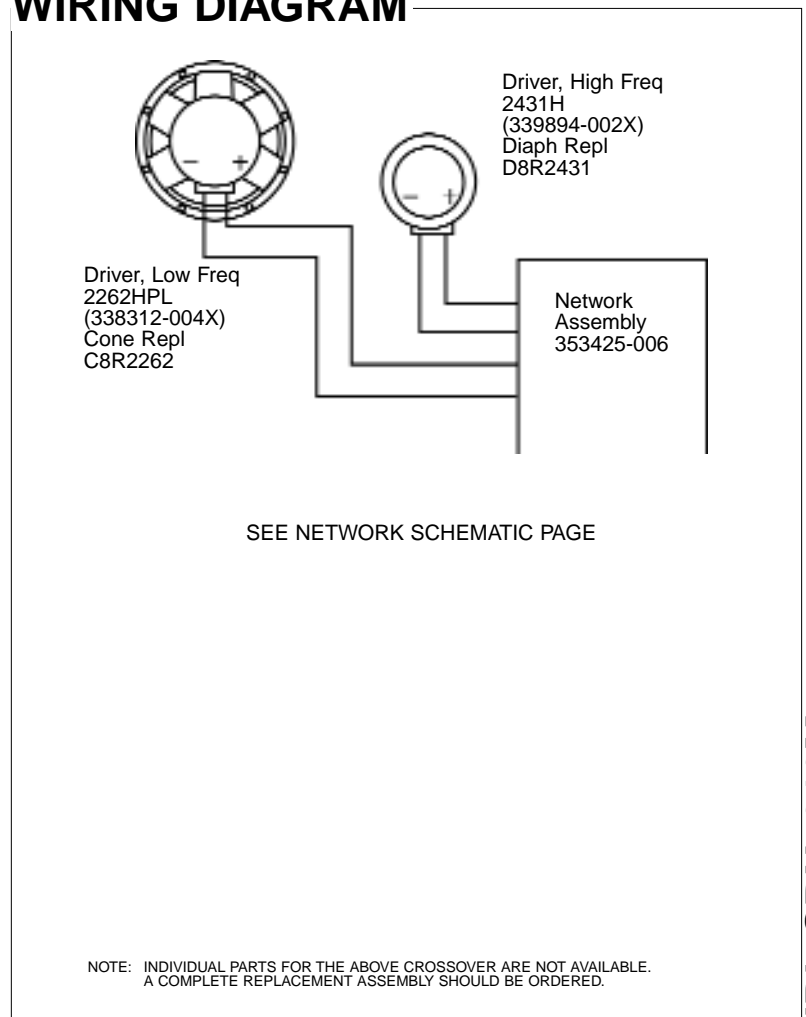
WARRANTY INFORMATION:

- Refer to Warranty Statement packed with each product.

PACKAGE

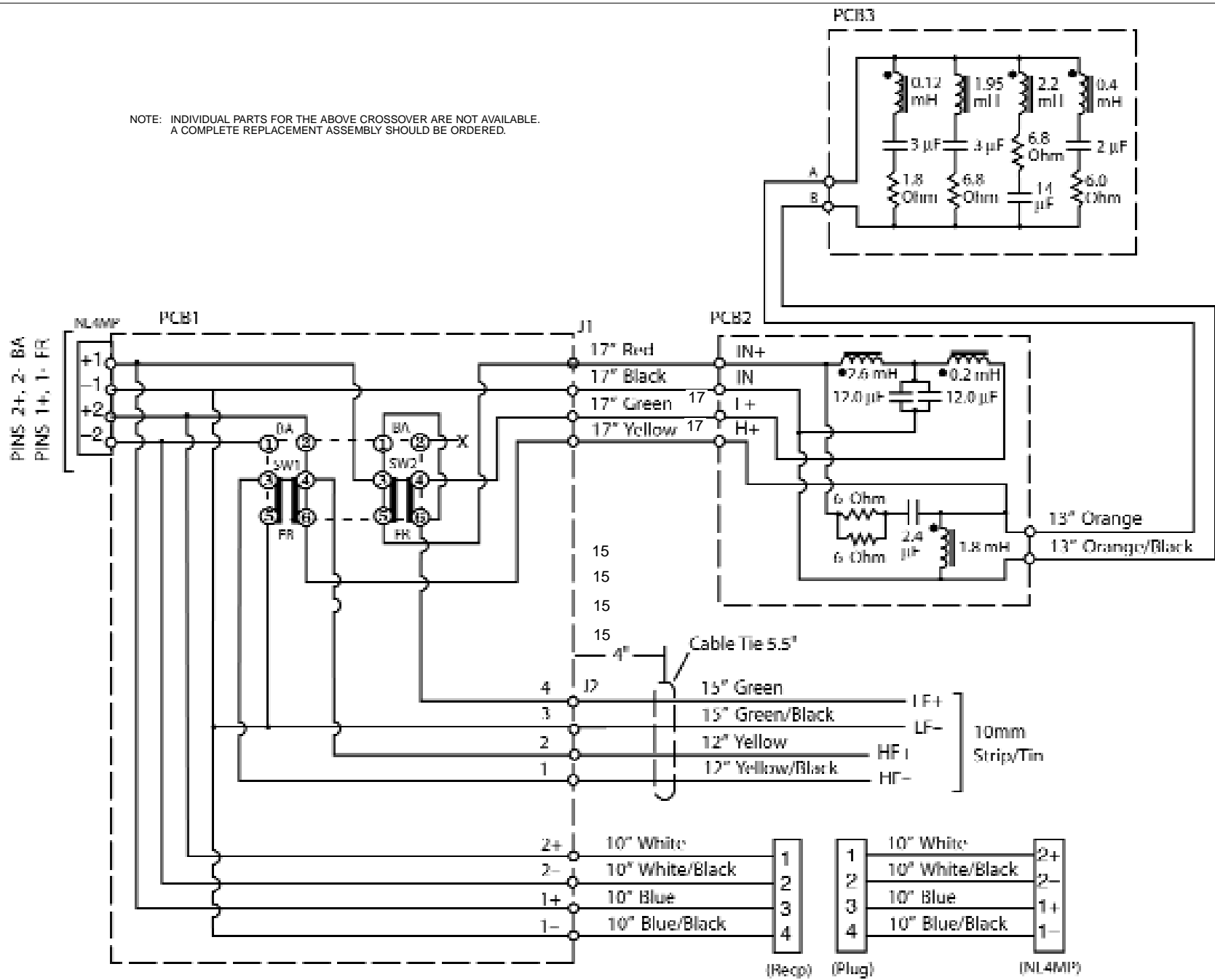


WIRING DIAGRAM



JBL SRX712M

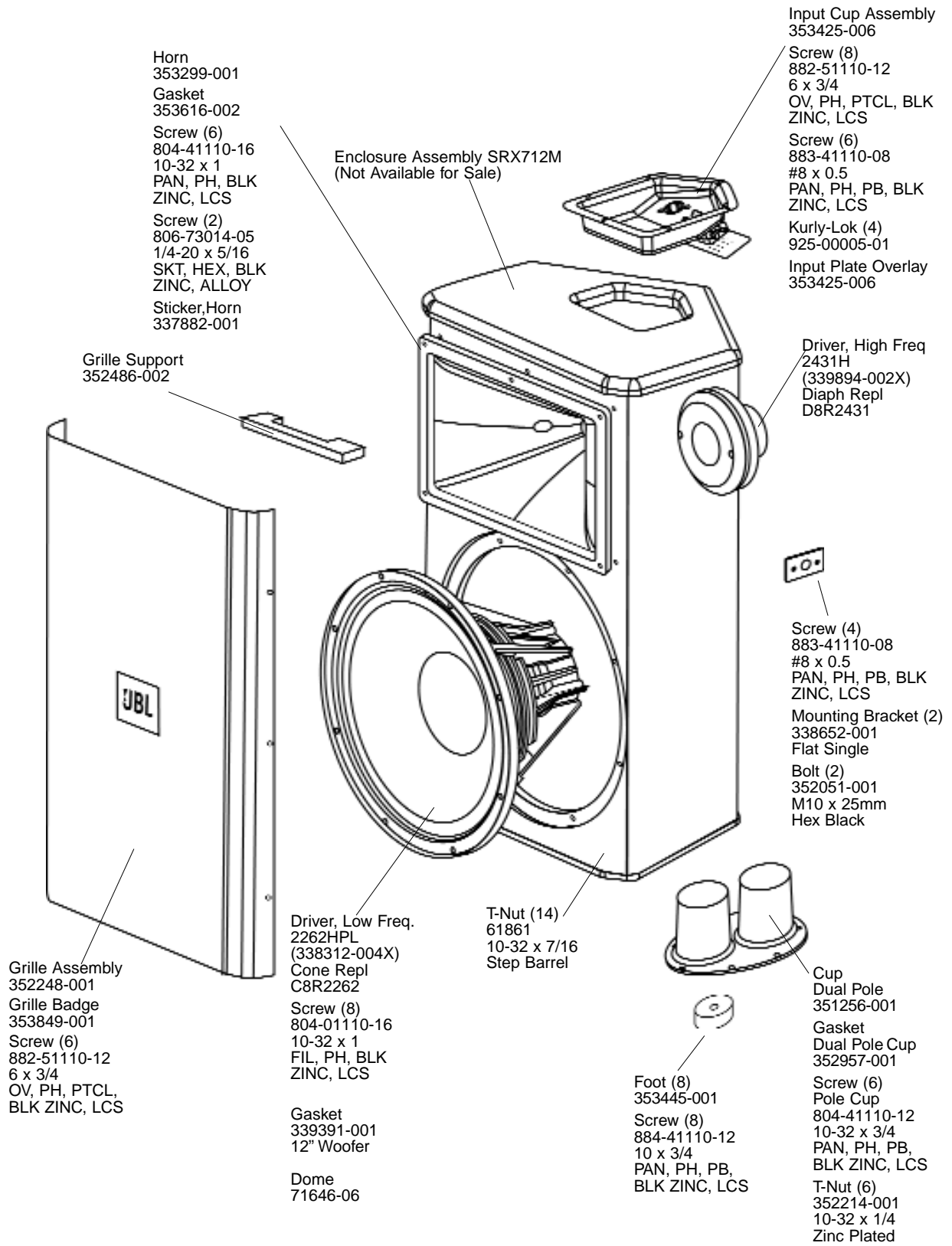
SCHEMATIC (353425-005)



JBL SRX712M

JBL SRX712M

COMPONENT EXPLODED VIEW



Horn
353299-001
Gasket
353616-002
Screw (6)
804-41110-16
10-32 x 1
PAN, PH, BLK
ZINC, LCS
Screw (2)
806-73014-05
1/4-20 x 5/16
SKT, HEX, BLK
ZINC, ALLOY
Sticker, Horn
337882-001

Grille Support
352486-002

Grille Assembly
352248-001
Grille Badge
353849-001
Screw (6)
882-51110-12
6 x 3/4
OV, PH, PTCL,
BLK ZINC, LCS

Enclosure Assembly SRX712M
(Not Available for Sale)

Driver, Low Freq.
2262HPL
(338312-004X)
Cone Repl
C8R2262

Screw (8)
804-01110-16
10-32 x 1
FIL, PH, BLK
ZINC, LCS

Gasket
339391-001
12" Woofer

Dome
71646-06

T-Nut (14)
61861
10-32 x 7/16
Step Barrel

Input Cup Assembly
353425-006

Screw (8)
882-51110-12
6 x 3/4
OV, PH, PTCL, BLK
ZINC, LCS

Screw (6)
883-41110-08
#8 x 0.5
PAN, PH, PB, BLK
ZINC, LCS

Kurly-Lok (4)
925-00005-01

Input Plate Overlay
353425-006

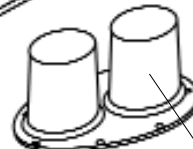
Driver, High Freq
2431H
(339894-002X)
Diaph Repl
D8R2431



Screw (4)
883-41110-08
#8 x 0.5
PAN, PH, PB, BLK
ZINC, LCS

Mounting Bracket (2)
338652-001
Flat Single

Bolt (2)
352051-001
M10 x 25mm
Hex Black



Cup
Dual Pole
351256-001

Gasket
Dual Pole Cup
352957-001

Foot (8)
353445-001
Screw (8)
884-41110-12
10 x 3/4
PAN, PH, PB,
BLK ZINC, LCS

Screw (6)
Pole Cup
804-41110-12
10-32 x 3/4
PAN, PH, PB,
BLK ZINC, LCS

T-Nut (6)
352214-001
10-32 x 1/4
Zinc Plated

JBL SRX712M