

Technical Manual

JBL SR4731X



SPECIFICATIONS

ACOUSTIC & ELECTRICAL SPECIFICATIONS:

- Nominal Impedance: 4 ohms
- Power Capacity: 1200W Continuous Pink Noise
- Frequency Range: 40 Hz – 18 kHz (-10dB)
- Sensitivity: 98 dB SPL, 1 Watt @ 1 Meter
- Crossover Frequency: 1.2 kHz

SYSTEM COMPONENTS:

- Cabinet: SR4731X (Not For Sale)
- Grille: 128-00396-00
- Low Frequency Transducer: 305mm (12 in.) Paper Cone Transducer (2206H) (2)
- DC Resistance: 5.3 ohm ±10% Copper Wire
- High Frequency Transducer: 50.8mm (2 in.) Exit Pure Titanium Compression Driver (2447J)
- DC Resistance: 8.0 ohm ±8% Aluminum Wire

SYSTEM COMPONENTS: (Cont'd)

- Crossover Network: 129-20057-00

AURAL SWEEP TEST SPECIFICATIONS:

- A. System Aural Sweep Test: 7.0V Input, 20 Hz to 20 kHz
- B. L.F. Aural Sweep Test: 15.0V Input, 20 Hz to 1.2 kHz
- C. H.F. Aural Sweep Test: 2.0V Input, 550 kHz to 20 kHz

PHYSICAL SPECIFICATIONS:

- Enclosure Dimensions: 1092mm x 635mm x 460mm D (43.0 x 25.0 x 18.0 in. D)
- Shipping Weight: 136 lbs. (61.6 kg.)

WARRANTY INFORMATION:

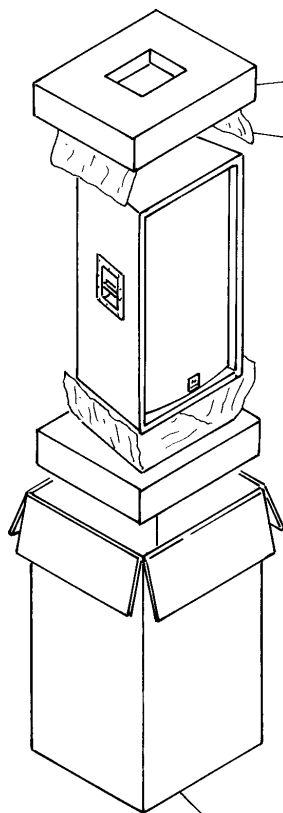
- Refer to Warranty Statement packed with each product.

PACKAGE

Warranty 59660
User's Guide
SR-X Series
981-00052-04

Filler, (2)
Top & Bottom
991-00179-02

Microfoam (8)
Packaging
49790P

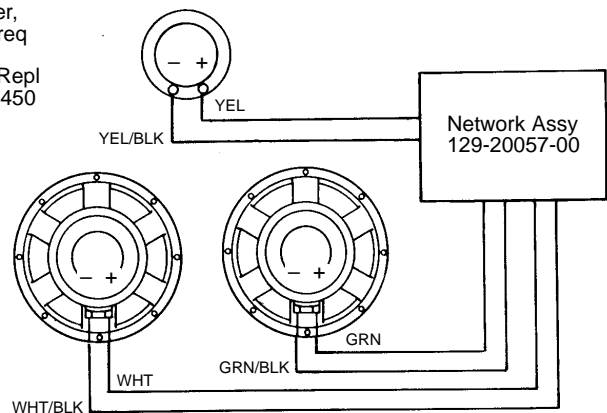


Carton
SR4731X
990-00178-00

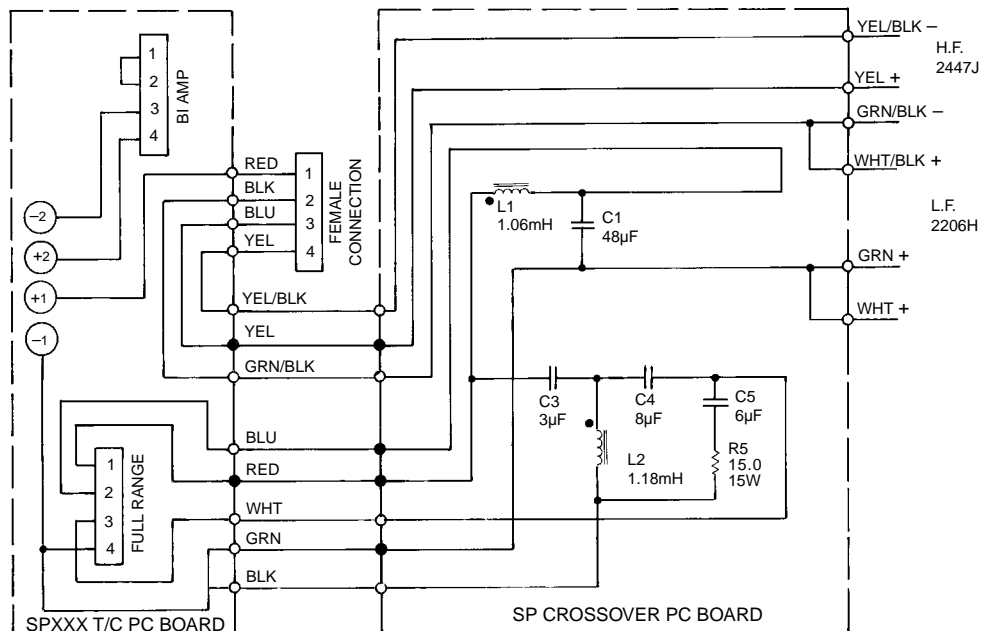
WIRING DIAGRAM

Speaker,
High Freq
2447J
Diaph Repl
D16R2450

Speaker,
Low Freq
2206H (2)
Cone Repl
C8R2206

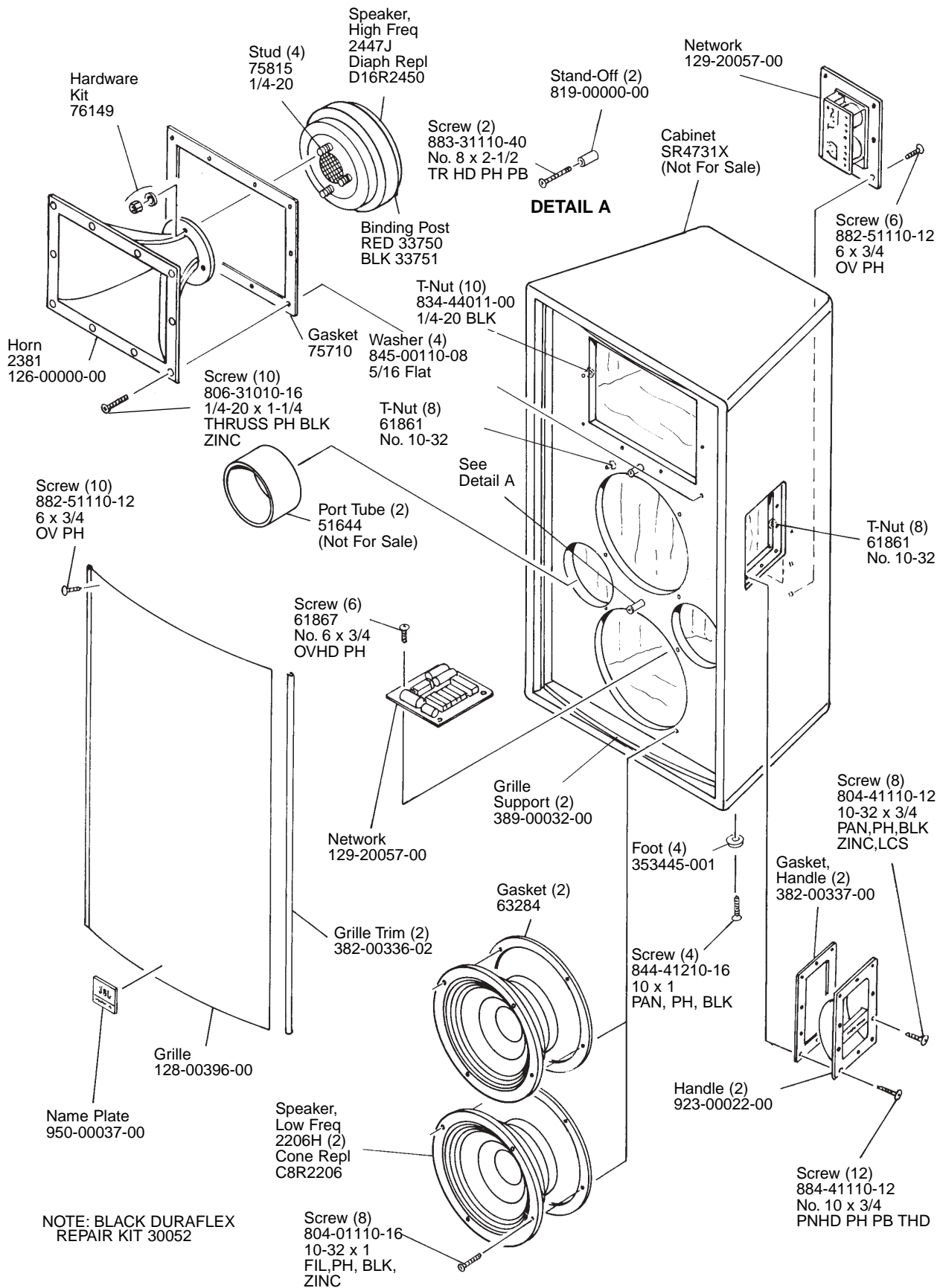


SCHEMATIC (129-20057-00)



JBL SR4731X

COMPONENT EXPLODED VIEW



NOTE: BLACK DURAFLEX REPAIR KIT 30052