

Technical Manual

JBL SR4738

SPECIFICATIONS



ACOUSTIC & ELECTRICAL SPECIFICATIONS:

- Nominal Impedance: 4 ohm
- Power Rating: 800W
- Frequency Response: 30 Hz to 17 kHz
- Sensitivity: 98 dB SPL*
- Crossover Frequencies: 600 Hz and 2.2 kHz

SYSTEM COMPONENTS:

- Cabinet: CSR4738
- Grille: GSR4738 (71765)
- Low Frequency Transducer: 460mm (18 in.) Paper Cone Transducer (2241G)
- DC Resistance: 2.5 ohm \pm 10% Aluminum Wire
- Mid Range Transducer: 250mm (10 in.) Paper Cone Transducer (2123H)
- DC Resistance: 4.2 ohm \pm 10% Aluminum Wire

*1 Watt (2.83 V RMS) @ 1 Meter

SYSTEM COMPONENTS: (cont'd)

- High Frequency Transducer: 25mm (1 in.) Pure Titanium Compression Driver (2416H)
- DC Resistance: 5.0 ohm \pm 10% Aluminum Wire
- Crossover Network: 71938

AURAL SWEEP TEST SPECIFICATIONS:

- A. System Aural Sweep Test: 7.0V Input, 20 Hz to 20 kHz
- B. L.F. Aural Sweep Test: 10.0V Input, 20 Hz to 1.2 kHz
- C. M.F. Aural Sweep Test: 6.0V Input, 80 Hz to 6 kHz
- D. H.F. Aural Sweep Test: 10.0V Input, 500 Hz to 20 kHz

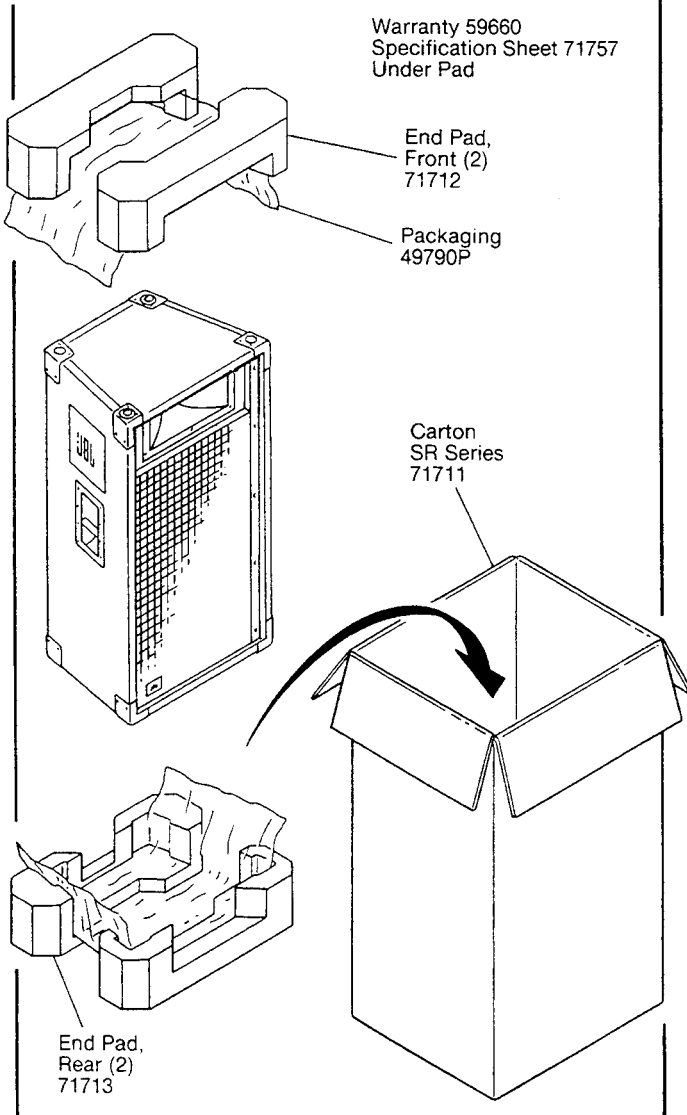
PHYSICAL SPECIFICATIONS:

- Enclosure Dimensions: 1067mm x 622mm x 432mm D (42.0 x 24.5 x 17.0 in. D)
- Shipping Weight: 111.5 lbs. (50.6 kg)

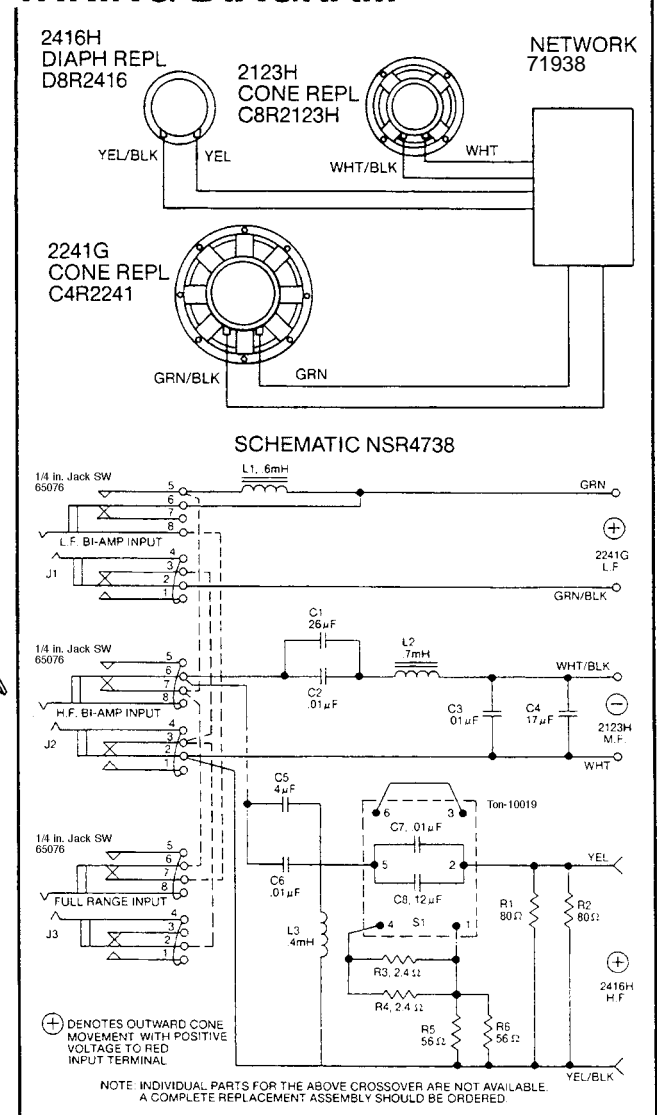
WARRANTY INFORMATION:

- Refer to the Warranty Statement packed with each product.

PACKAGE



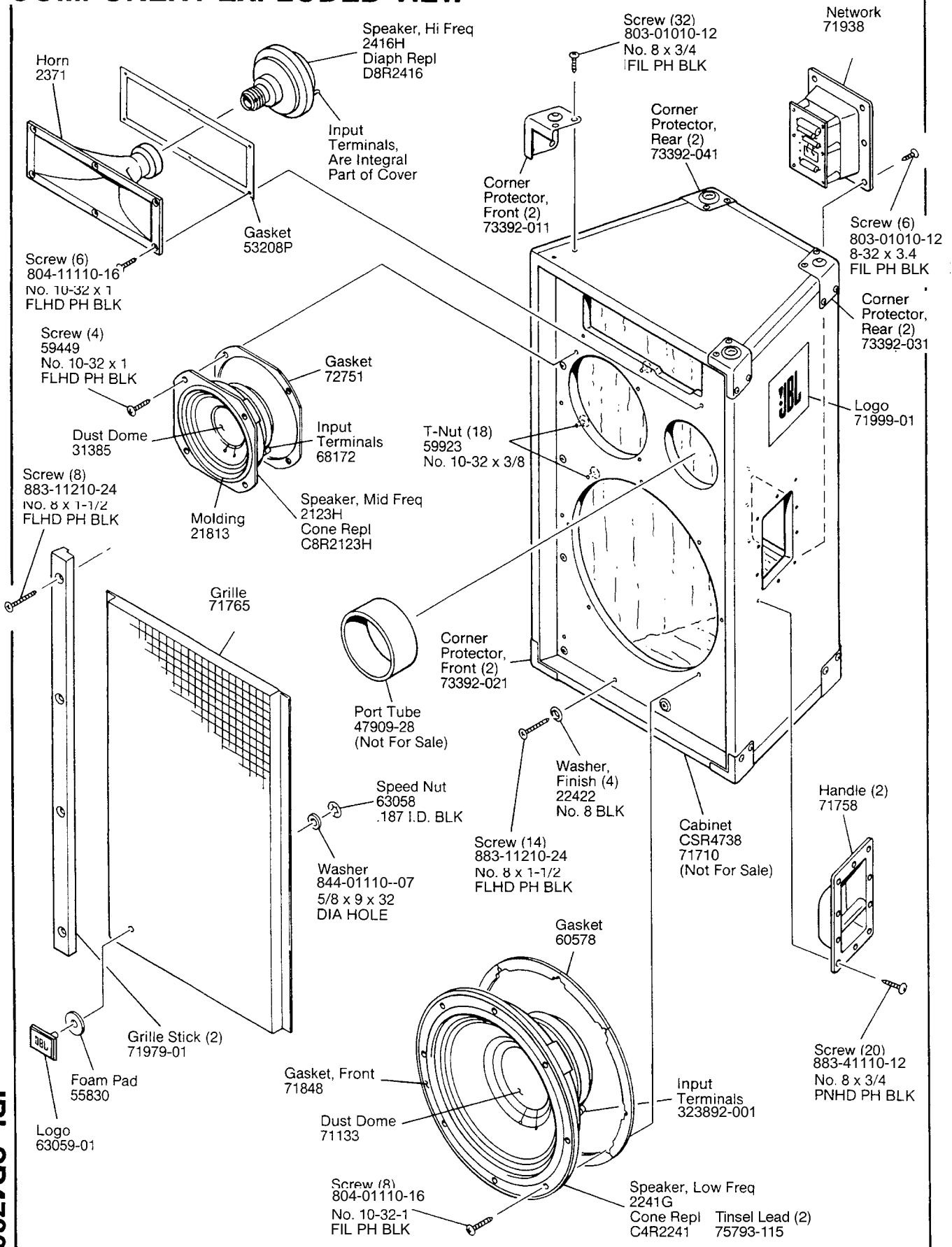
WIRING DIAGRAM



JBL SR4738 REV H

JBL SR4738

COMPONENT EXPLODED VIEW



JBL SR4738