

# Technical Manual

# JBL SR4735

## SPECIFICATIONS



### ACOUSTIC & ELECTRICAL SPECIFICATIONS:

- Nominal Impedance: 8 ohm
- Power Rating: 600W
- Frequency Response: 35 Hz to 17 kHz
- Sensitivity: 99 dB SPL\*
- Crossover Frequencies: 600 Hz and 2.8 kHz

### SYSTEM COMPONENTS:

- Cabinet: CSR4735
- Grille: GSR4735 (71961)
- Low Frequency Transducer: 380mm (15 in.) Paper Cone Transducer (2226H)
- DC Resistance: 5.0 ohm  $\pm$  10% Aluminum Wire
- Mid Range Transducer: 203mm (8 in.) Paper Cone Transducer (2118H)
- DC Resistance: 5.3 ohm  $\pm$  10% Copper Wire

\*1 Watt (2.83 V RMS) @ 1 Meter

### SYSTEM COMPONENTS: (cont'd)

- High Frequency Transducer: 25mm (1 in.) Pure Titanium Compression Driver (2416H)
- DC Resistance: 3.2 ohm  $\pm$  8% Aluminum Wire
- Crossover Network: 71936

### AURAL SWEEP TEST SPECIFICATIONS:

- A. System Aural Sweep Test: 7.0V Input, 20 Hz to 20 kHz
- B. L.F. Aural Sweep Test: 10.0V Input, 20 Hz to 1.2 kHz
- C. M.F. Aural Sweep Test: 7.0V Input, 70 Hz to 7 kHz
- D. H.F. Aural Sweep Test: 2.83V Input, 550 Hz to 20 kHz

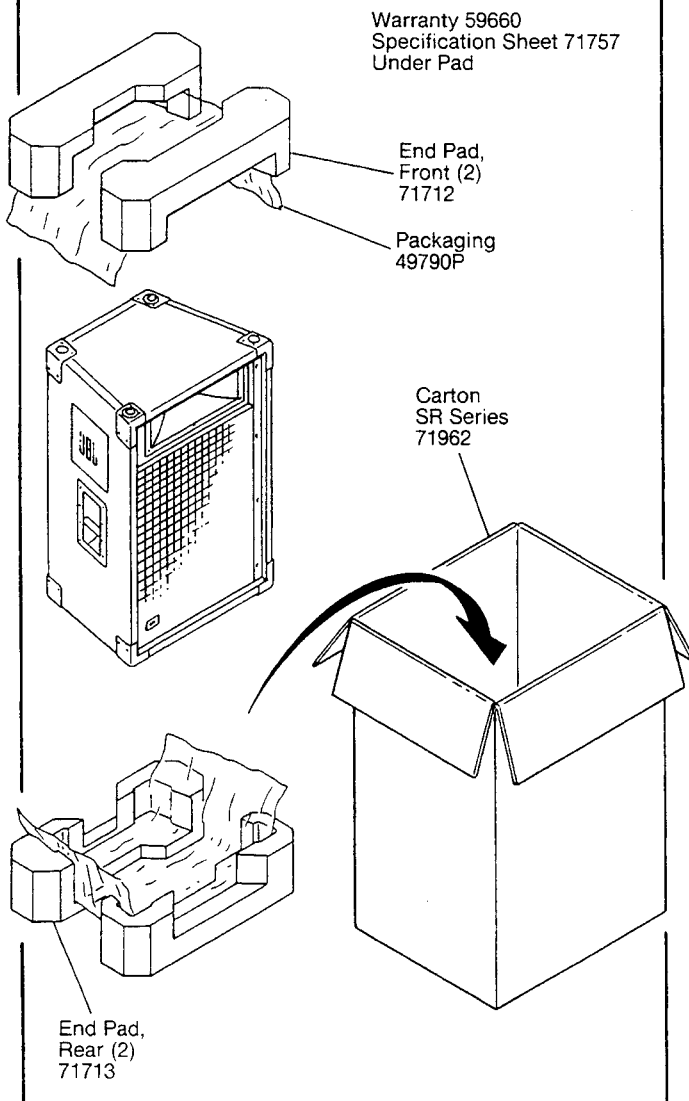
### PHYSICAL SPECIFICATIONS:

- Enclosure Dimensions: 889mm x 622mm x 432mm D (35.0 x 24.5 x 17.0 in. D)
- Shipping Weight: 92 lbs. (41.7 kg)

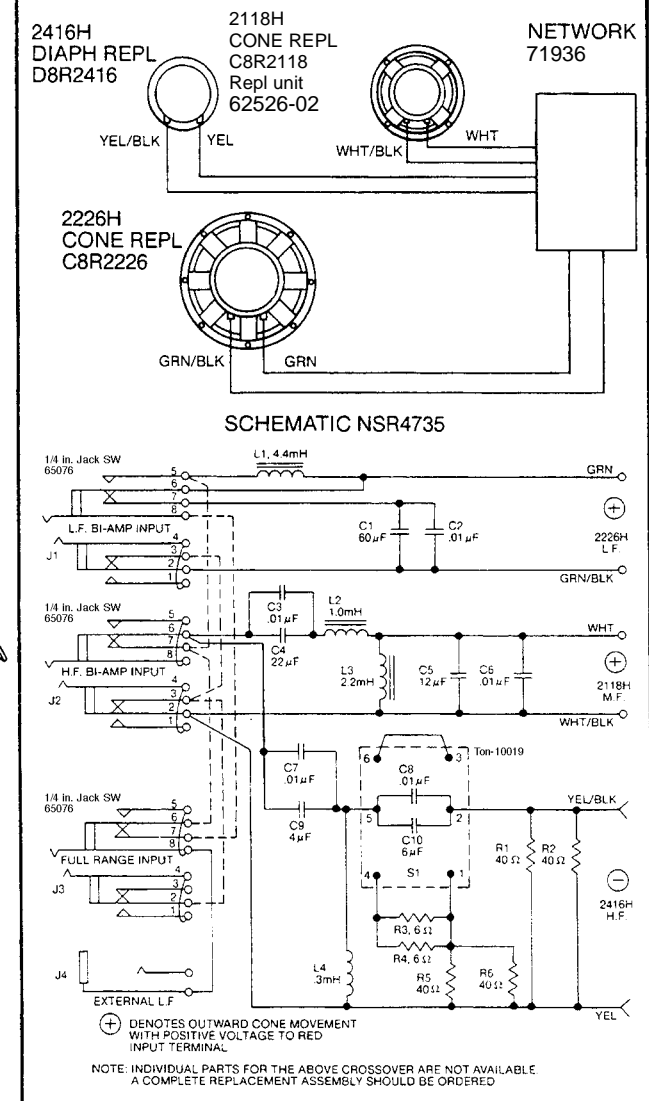
### WARRANTY INFORMATION:

- Refer to the Warranty Statement packed with each product.

## PACKAGE



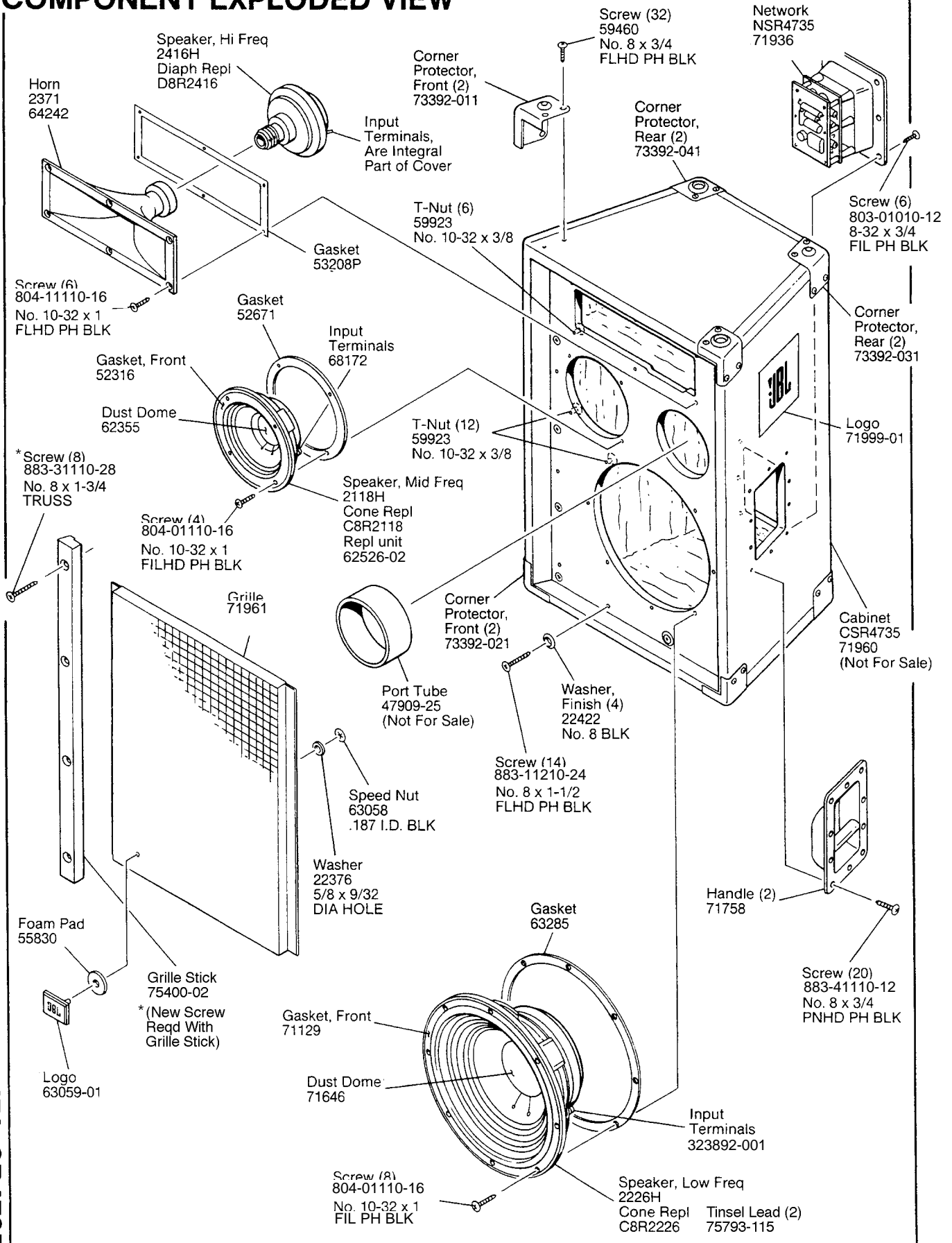
## WIRING DIAGRAM



JBL SR4735 REV L

# JBL SR4735

## COMPONENT EXPLODED VIEW



JBL SR4735