

Technical Manual

JBL SR4733A

SPECIFICATIONS



ACOUSTIC & ELECTRICAL SPECIFICATIONS:

- Nominal Impedance: 4 ohm
- Power Capacity: 1200W Continuous Pink Noise
- Frequency Range: 35 Hz to 18 kHz (-10 dB)
- Sensitivity: 99 dB SPL*
- Crossover Frequencies: 1.2 kHz

SYSTEM COMPONENTS:

- Cabinet: CSR4733A
- Grille: 75669
- Low Frequency Transducer: 380mm (15 in.) Paper Cone Transducer (2226H) (2)
- DC Resistance: 5.0 ohm \pm 10% Aluminum Wire

SYSTEM COMPONENTS: (cont'd)

- High Frequency Transducer: 38mm (1-1/2 in. Exit) Pure Titanium Compression Driver (2447J)
- DC Resistance: 8.0 ohm \pm 8% Aluminum Wire
- Crossover Network: 75671

AURAL SWEEP TEST SPECIFICATIONS:

- A. System Aural Sweep Test: 7.0V Input, 20 Hz to 20 kHz
- B. L.F. Aural Sweep Test: 15.0V Input, 20 Hz to 1.2 kHz
- C. H.F. Aural Sweep Test: 2.0V Input, 550 Hz to 20 kHz

PHYSICAL SPECIFICATIONS:

- Enclosure Dimensions: 1220mm x 635mm x 460mm D (48.0 x 25.0 x 18.0 in. D)
- Shipping Weight: 145 lbs. (65.8 kg.)

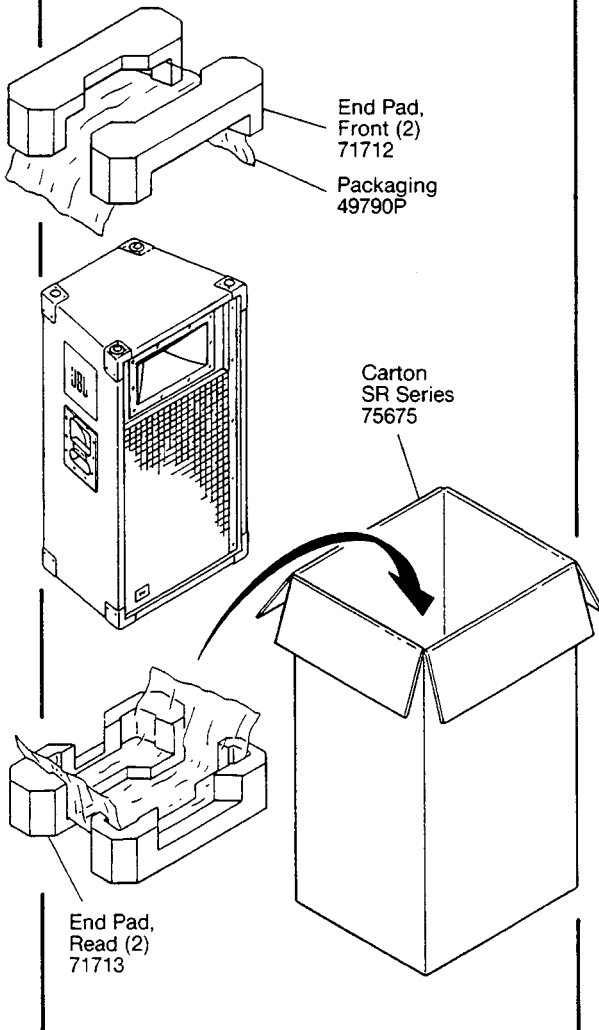
WARRANTY INFORMATION:

- Refer to the Warranty Statement packed with each product.

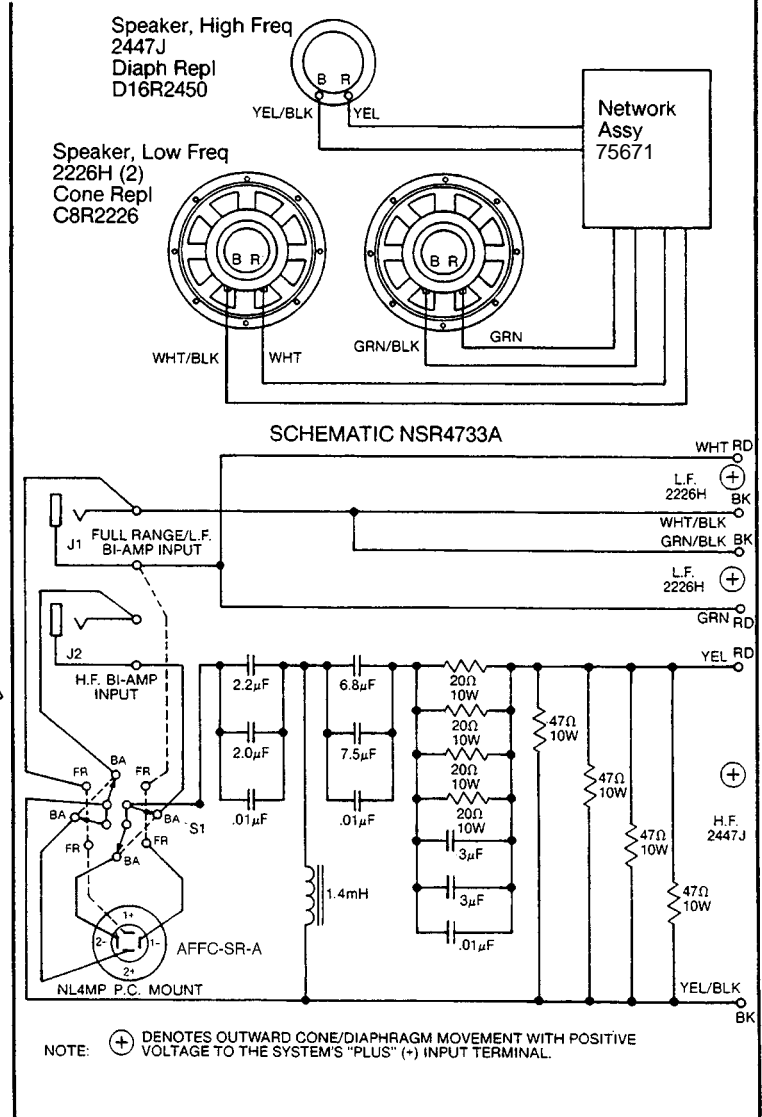
*1 Watt (2.0 V RMS) @ 1 Meter

PACKAGE

Warranty 59660
Specification Sheet 76487
Owners Manual 76364
Under Pad

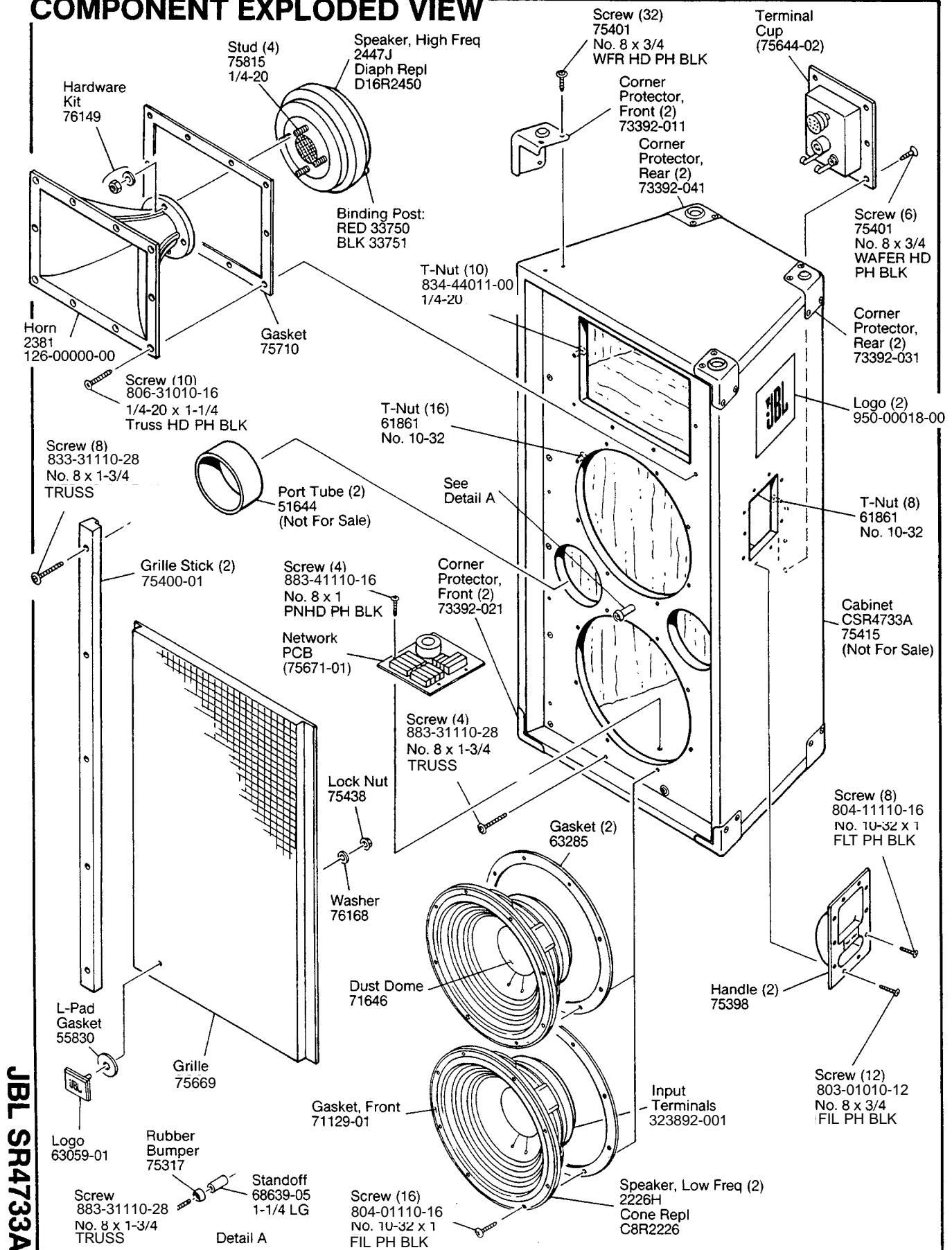


WIRING DIAGRAM



JBL SR4733A

COMPONENT EXPLODED VIEW



JBL SR4733A

Detail A