

Technical Manual

JBL SR4732N

SPECIFICATIONS



ACOUSTIC & ELECTRICAL SPECIFICATIONS:

- Nominal Impedance: 4 ohm
- Power Rating: 1200W Continuous Pink Noise
4800W Peak Pink Noise
- Frequency Range: 40 Hz to 20 kHz
- Sensitivity: 100 dB SPL*
- Crossover Frequencies: 1.2 kHz and 6.0 kHz

SYSTEM COMPONENTS:

- Cabinet: CSR4732
- Grille: GSR4732 (71766)
- Low Frequency Transducer: 300mm (12 in.) Paper Cone Transducer (2206H) (2)
- DC Resistance: 5.3 ohm \pm 10% Aluminum Wire
- Mid Range Transducer: 100mm (4 in.) Pure Titanium Compression Driver (2445J)
- DC Resistance: 8.0 ohm \pm 8% Aluminum Wire

*1 Watt (2.83 V RMS) @ 1 Meter

SYSTEM COMPONENTS: (cont'd)

- High Frequency Transducer: 44mm (1.75 in.) Aluminum Diaphragm Compression Driver (2404H-1)
- DC Resistance: 6.25 ohm \pm 8% Aluminum Wire
- Crossover Network: NSR4732N (74121)

AURAL SWEEP TEST SPECIFICATIONS:

- A. System Aural Sweep Test: 7.0V Input, 20 Hz to 20 kHz
- B. L.F. Aural Sweep Test: 10.0V Input, 20 Hz to 1.2 kHz
- C. M.F. Aural Sweep Test: 2.83V Input, 550 Hz to 1.2 kHz
- D. H.F. Aural Sweep Test: 1.0V Input, 1.0 kHz to 3.0 kHz

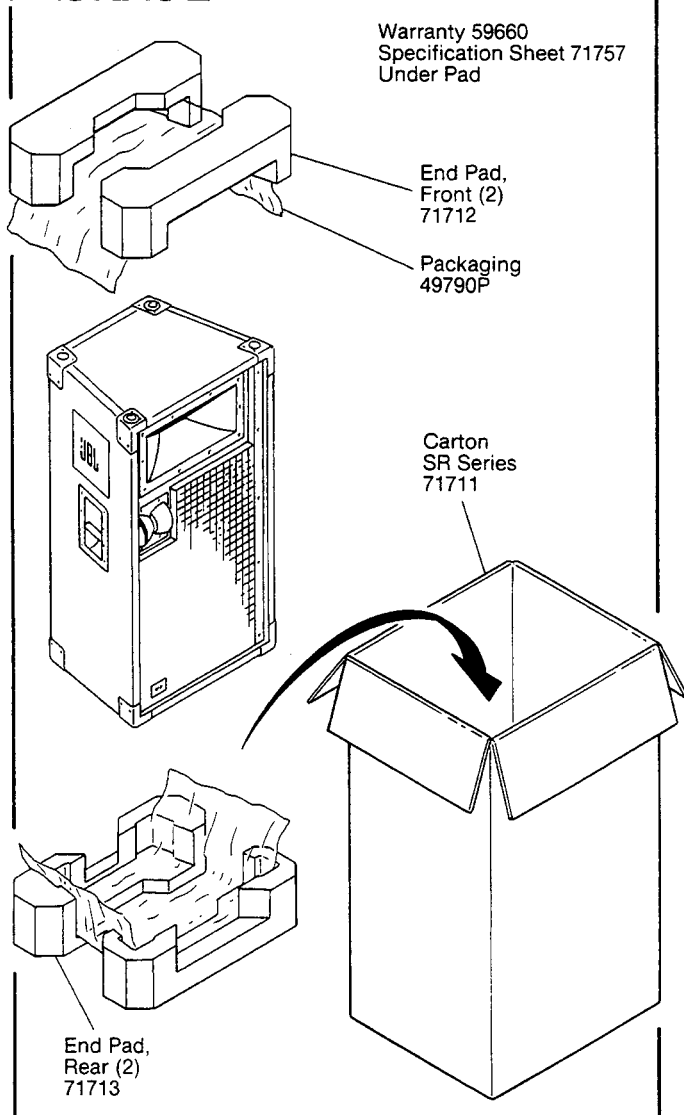
PHYSICAL SPECIFICATIONS:

- Enclosure Dimensions: 1092mm x 635mm x 460mm D
(43.0 x 25.0 x 18.0 in. D)
- Shipping Weight: 147.5 lbs. (67 kg)

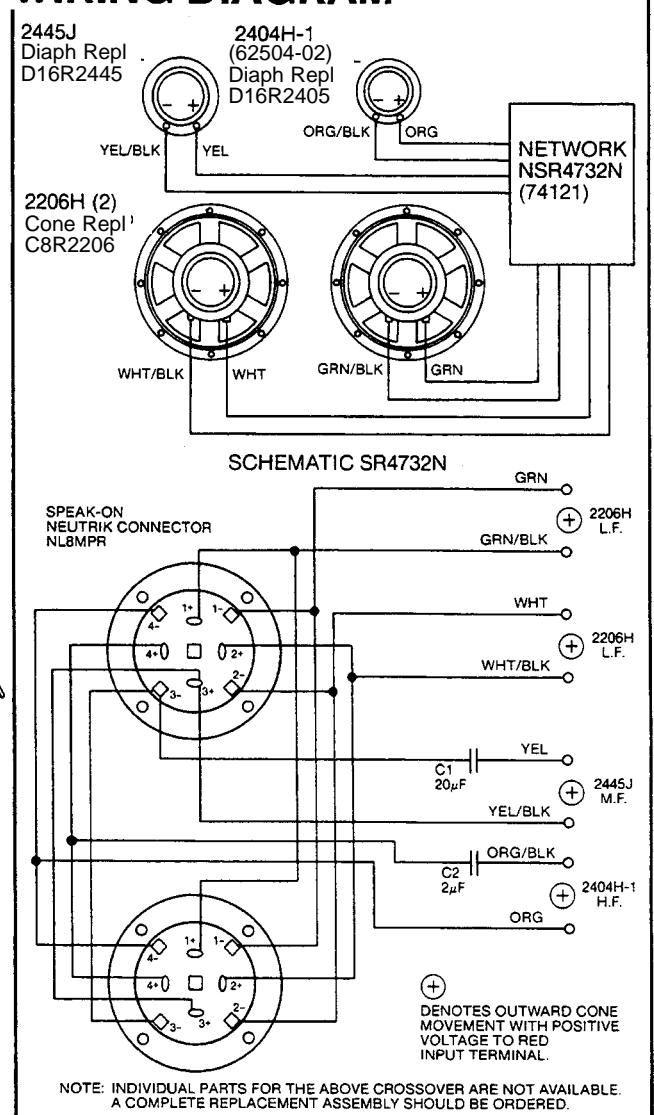
WARRANTY INFORMATION:

- Refer to the Warranty Statement packed with each product.

PACKAGE



WIRING DIAGRAM



JBL SR4732N REV D

