

# Technical Manual

# JBL SR4731A

## SPECIFICATIONS



### ACOUSTIC & ELECTRICAL SPECIFICATIONS:

- Nominal Impedance: 4 ohm
- Power Capacity: 1200W Continuous Pink Noise
- Frequency Range: 40 Hz to 18 kHz (-10 dB)
- Sensitivity: 89 dB SPL\*
- Crossover Frequencies: 1.2 kHz

### SYSTEM COMPONENTS:

- Cabinet: CSR4731A
- Grille: 75645
- Low Frequency Transducer: 305mm (12 in.) Paper Cone Transducer (2200H) (2)
- DC Resistance: 5.3 ohm  $\pm$  10% Copper Wire

### SYSTEM COMPONENTS: (cont'd)

- High Frequency Transducer: 38mm (1-1/2 in.) ESD Pure Titanium Compression Driver (2447J)
- DC Resistance: 6.0 ohm  $\pm$  5% Aluminum Wire
- Crossover Network: 75644-01

### AURAL SWEEP TEST SPECIFICATIONS:

- A. System Aural Sweep Test: 7.0V Input, 20 Hz to 20 kHz
- B. L.F. Aural Sweep Test: 15.0V Input, 20 Hz to 1.2 kHz
- C. H.F. Aural Sweep Test: 2.0V Input, 500 Hz to 20 kHz

### PHYSICAL SPECIFICATIONS:

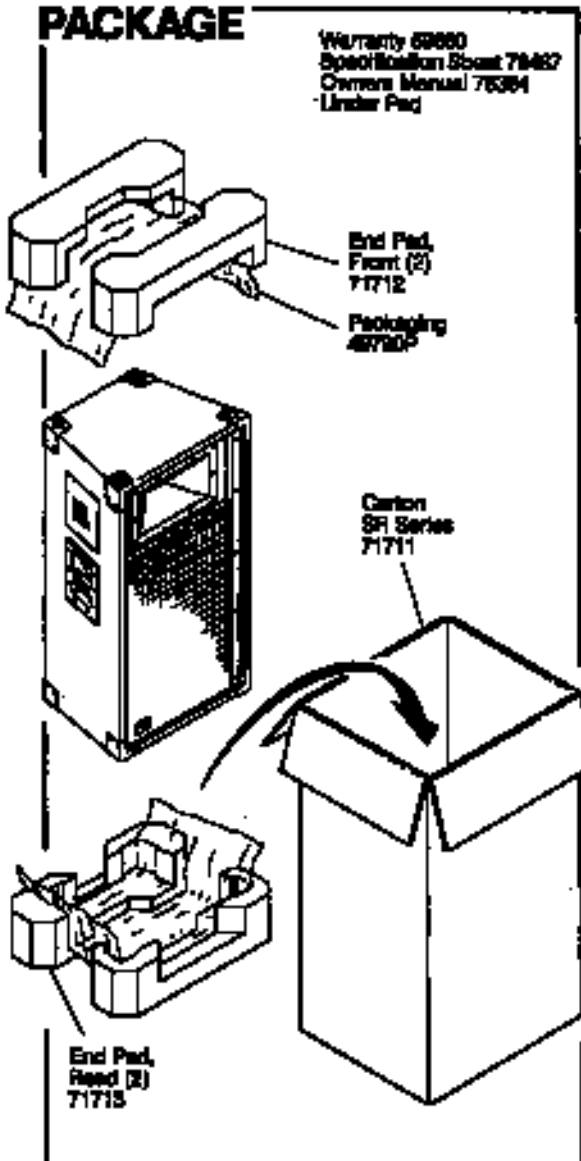
- Enclosure Dimensions: 1065mm x 636mm x 482mm D (42.0 x 25.0 x 18.9 in. D)
- Shipping Weight: 134 lbs. (60.8 kg.)

### WARRANTY INFORMATION:

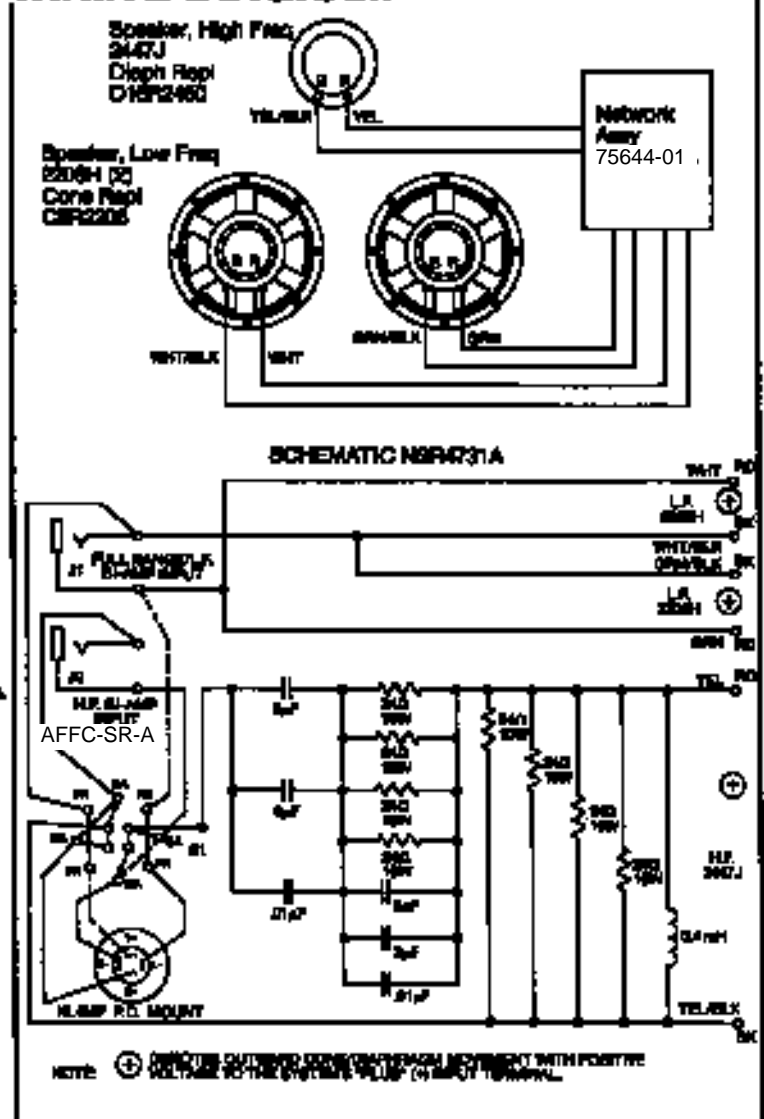
- Refer to the Warranty Statement packed with each product.

\*1 Watt (2.0 V RMS) @ 1 Meter

## PACKAGE



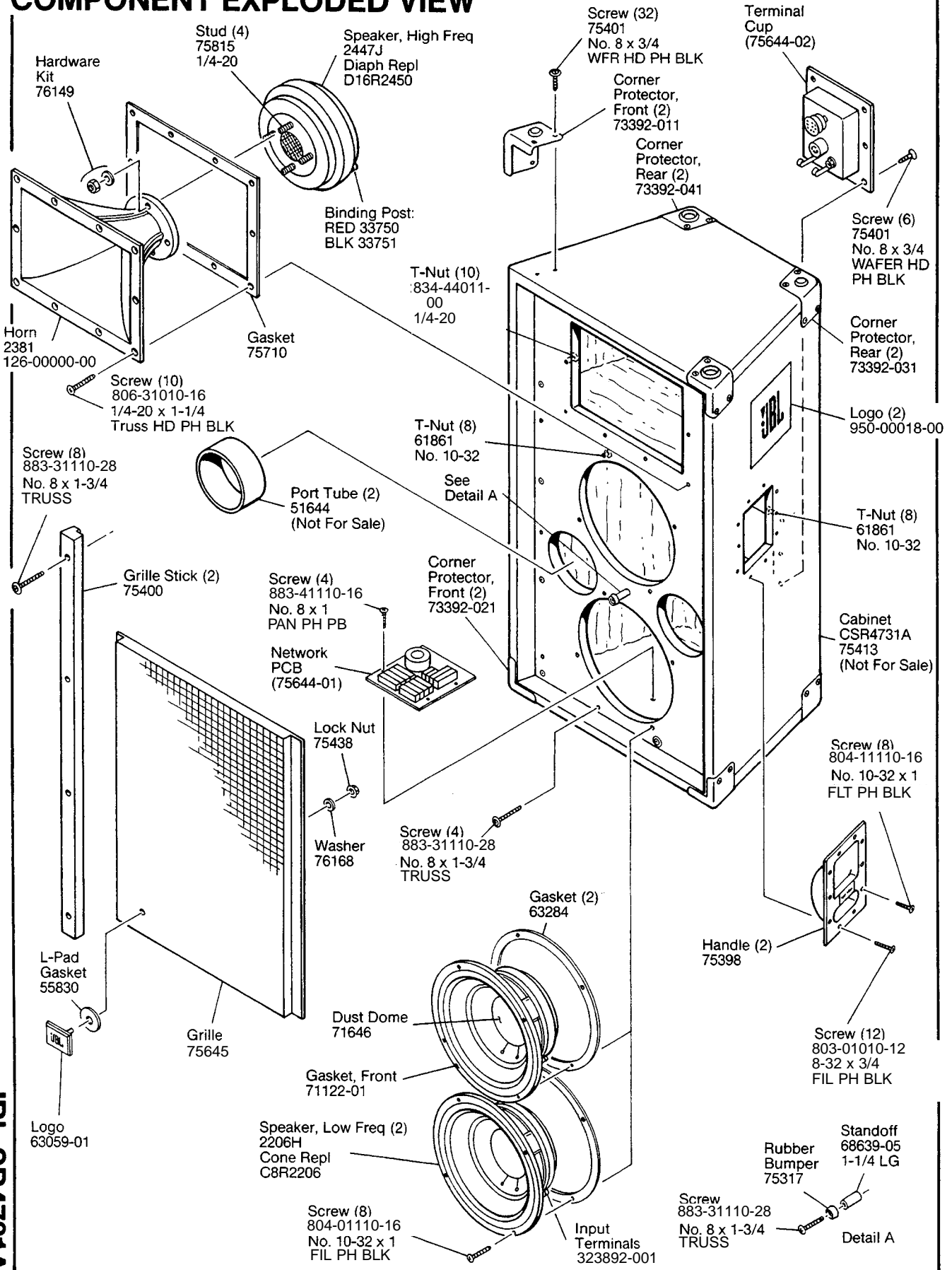
## WIRING DIAGRAM



JBL SR4731A REV 1

# JBL SR4731A

## COMPONENT EXPLODED VIEW



JBL SR4731A