

Technical Manual

JBL SR4725A

SPECIFICATIONS



ACOUSTIC & ELECTRICAL SPECIFICATIONS:

- Nominal Impedance: 8 ohm
- Power Capacity: 600W Continuous Pink Noise
- Frequency Range: 35 Hz to 18 kHz (-10 dB)
- Sensitivity: 97 dB SPL*
- Crossover Frequencies: 1.1 kHz

SYSTEM COMPONENTS:

- Cabinet: CSR4725A
- Grille: GSR4725 (71971)
- Low Frequency Transducer: 380mm (15 in.) Paper Cone Transducer (2226H)
- DC Resistance: 5.0 ohm $\pm 10\%$ Aluminum Wire

SYSTEM COMPONENTS: (cont'd)

- High Frequency Transducer: 25mm (1 in. Exit) Pure Titanium Compression Driver (2426H)
- DC Resistance: 3.2 ohm $\pm 8\%$ Aluminum Wire
- Crossover Network: 75964

AURAL SWEEP TEST SPECIFICATIONS:

- A. System Aural Sweep Test: 7.0V Input, 20 Hz to 20 kHz
- B. L.F. Aural Sweep Test: 14.5V Input, 20 Hz to 1.2 kHz
- C. H.F. Aural Sweep Test: 2.0V Input, 550 Hz to 20 kHz

PHYSICAL SPECIFICATIONS:

- Enclosure Dimensions: 749mm x 635mm x 460mm D (29.5 x 25.0 x 18.0 in. D)
- Shipping Weight: 90 lbs. (40.9 kg.)

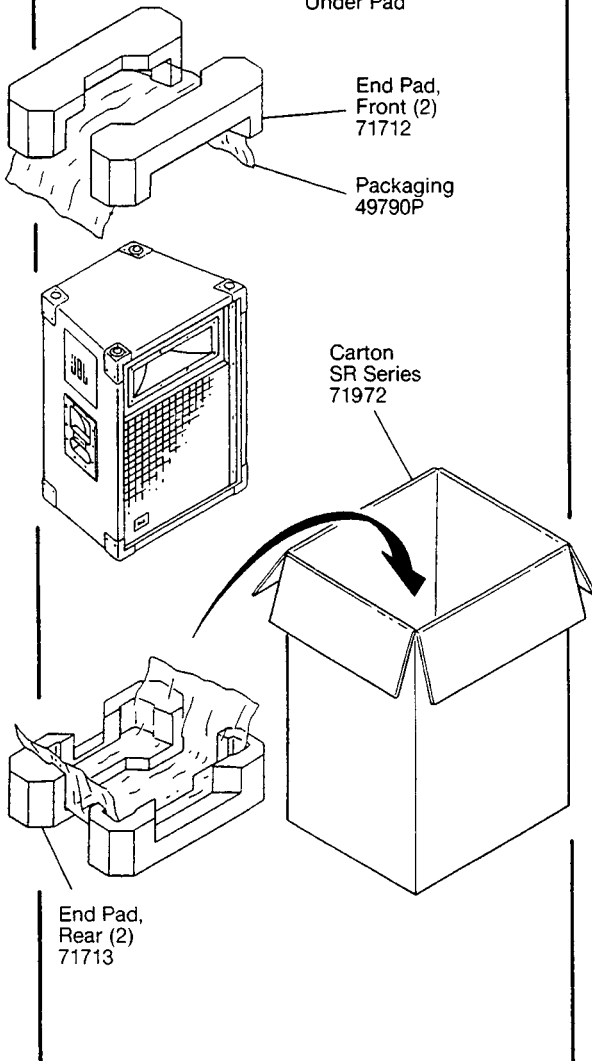
WARRANTY INFORMATION:

- Refer to the Warranty Statement packed with each product.

*1 Watt (2.83 V RMS) @ 1 Meter

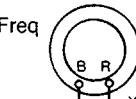
PACKAGE

Warranty 59660
Specification Sheet 76487
Owners Manual 76364
Under Pad

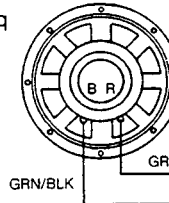


WIRING DIAGRAM

Speaker, High Freq
2426H
Diaph Repl
D8R2425

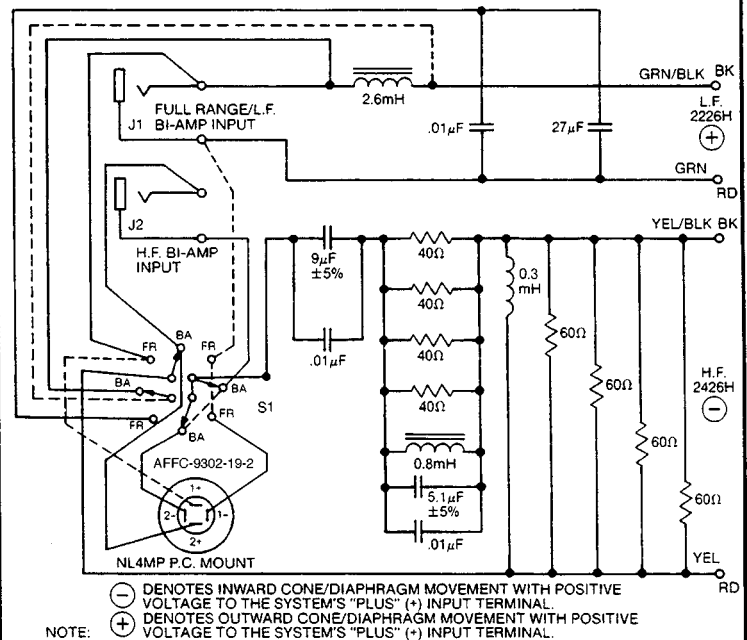


Speaker, Low Freq
2226H
Cone Repl
C8R2226



Network
Assy
75964

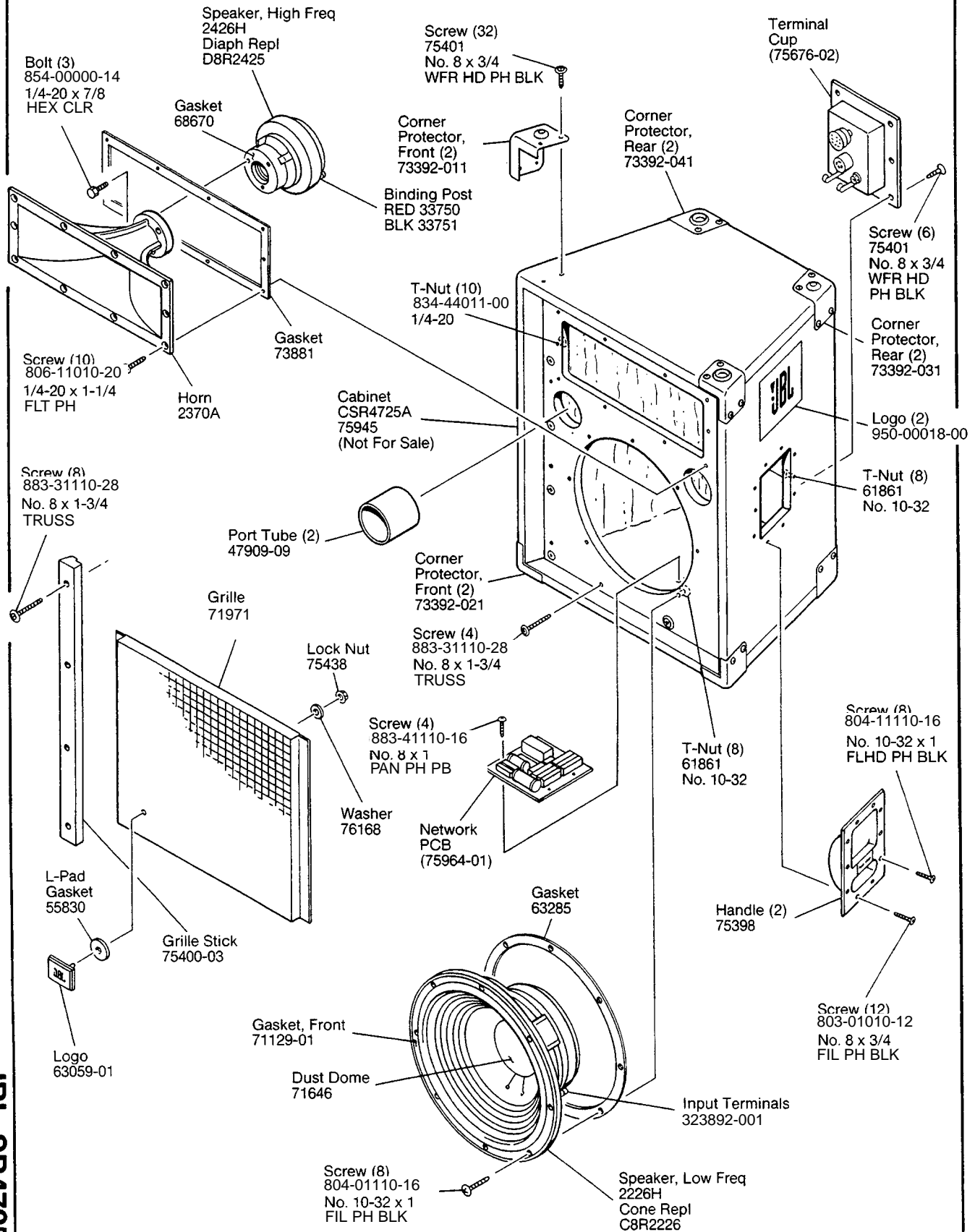
SCHEMATIC NSR4725A



JBL SR4725A REV H

JBL SR4725A

COMPONENT EXPLODED VIEW



JBL SR4725A