

Technical Manual

JBL SR4722A

SPECIFICATIONS



ACOUSTIC & ELECTRICAL SPECIFICATIONS:

- Nominal Impedance: 8 ohm
- Power Capacity: 600W Continuous Pink Noise
- Frequency Range: 50 Hz to 20 kHz (-10 dB)
- Sensitivity: 98 dB SPL*
- Crossover Frequencies: 1.2 kHz

SYSTEM COMPONENTS:

- Cabinet: CSR4722A
- Grille: GSR4722 (72389)
- Low Frequency Transducer: 305mm (12 in.) Paper Cone Transducer (2206H)
- DC Resistance: 5.3 ohm $\pm 10\%$ Aluminum Wire

SYSTEM COMPONENTS: (cont'd)

- High Frequency Transducer: 25mm (1 in. Exit) Pure Titanium Compression Driver (2417H)
- DC Resistance: 3.2 ohm $\pm 8\%$ Aluminum Wire
- Crossover Network: NSR4722 (75963)

AURAL SWEEP TEST SPECIFICATIONS:

- A. System Aural Sweep Test: 7.0V Input, 20 Hz to 20 kHz
- B. L.F. Aural Sweep Test: 15.0V Input, 20 Hz to 1.2 kHz
- C. H.F. Aural Sweep Test: 2.0V Input, 550 Hz to 20 kHz

PHYSICAL SPECIFICATIONS:

- Enclosure Dimensions: 711mm x 508mm x 343mm D (28.0 x 20.0 x 13.5 in. D)
- Shipping Weight: 64 lbs. (29.1 kg.)

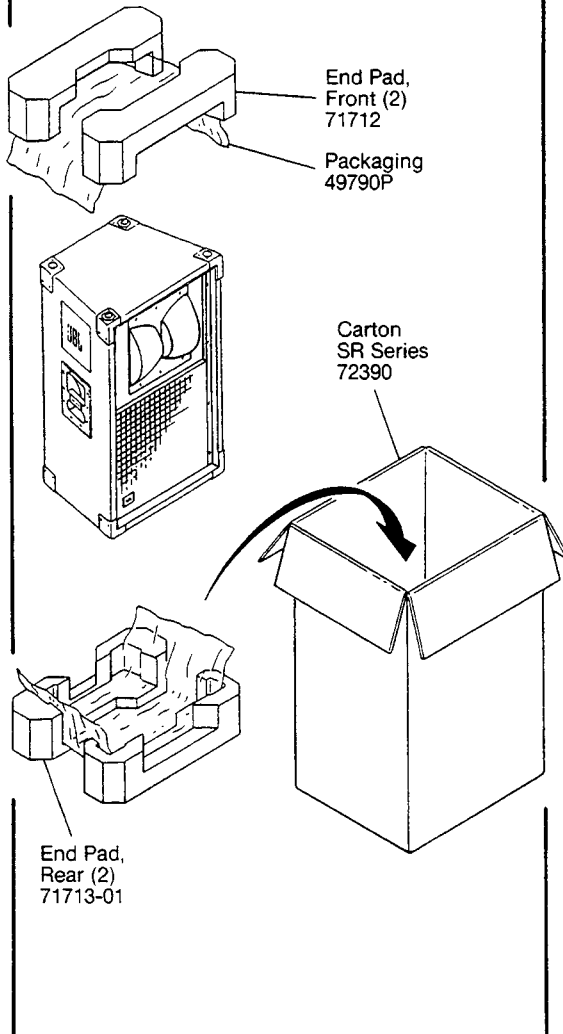
WARRANTY INFORMATION:

- Refer to the Warranty Statement packed with each product.

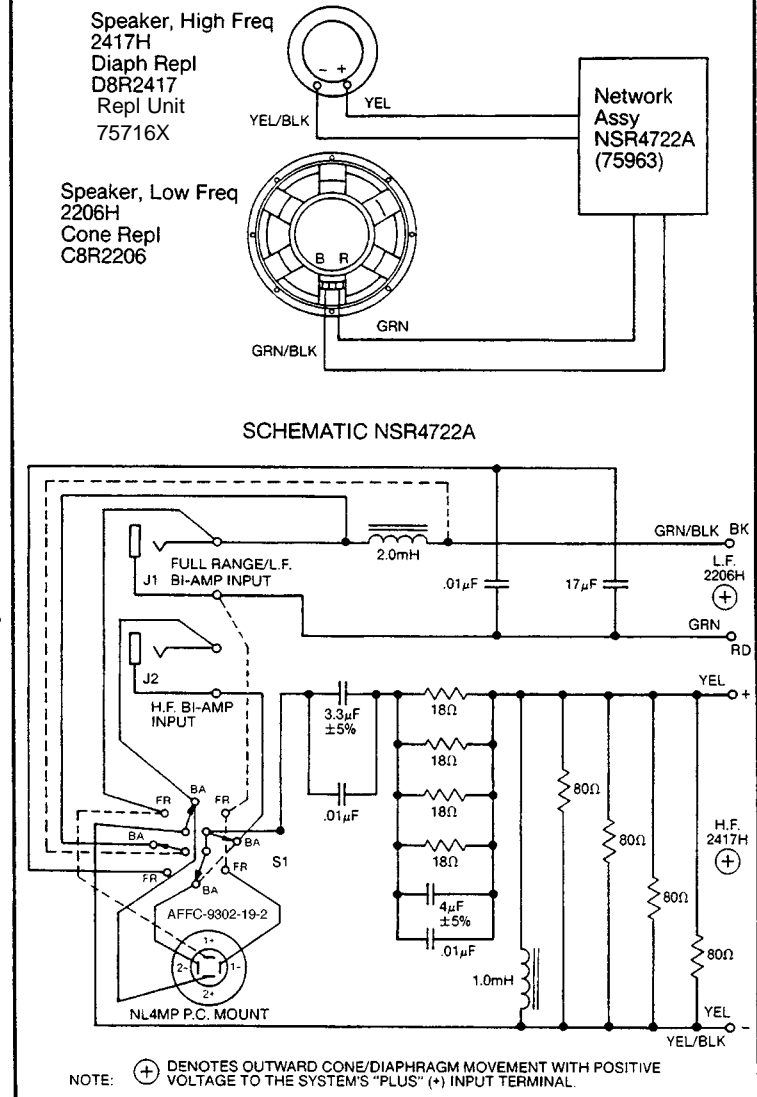
*1 Watt (2.83 V RMS) @ 1 Meter

PACKAGE

Warranty 59660
Specification Sheet 76487
Owners Manual 76364
Under Pad



WIRING DIAGRAM

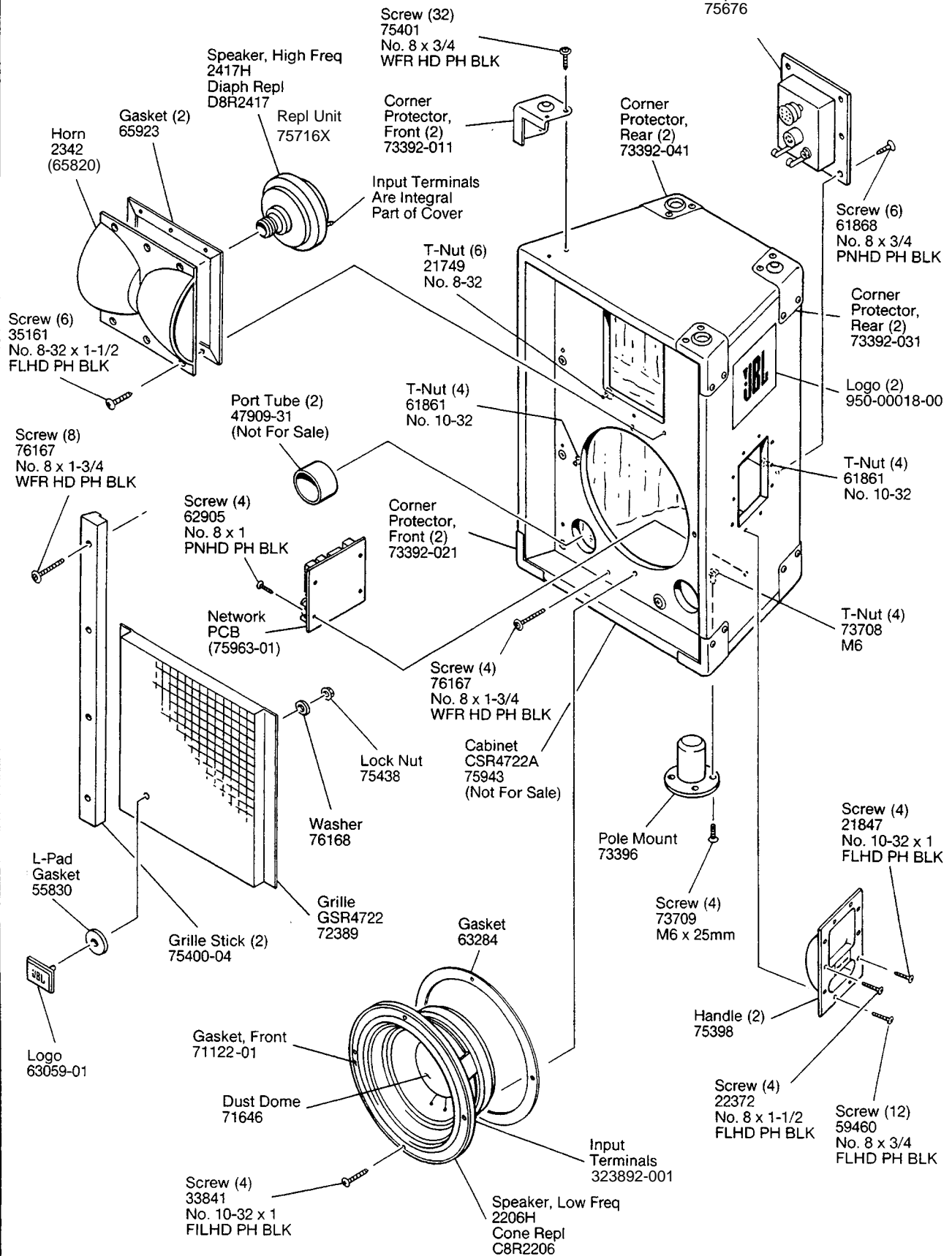


JBL SR4722A REV H

JBL SR4722A

COMPONENT EXPLODED VIEW

Terminal Cup
75676



JBL SR4722A