

# Technical Manual

# JBL SR4719A

## SPECIFICATIONS



### ACOUSTIC & ELECTRICAL SPECIFICATIONS:

- Nominal Impedance: 4 ohm
- Power Capacity: 1200W Continuous Pink Noise
- Frequency Range: 25 Hz to 1.2 kHz (-10 dB)
- Sensitivity: 99 dB SPL\*
- Crossover Frequencies: 1.2 kHz

### SYSTEM COMPONENTS:

- Cabinet: CSR4719A
- Grille: GSR4719A (76159)
- Low Frequency Transducer: 460mm (18 in.) Paper Cone Transducer (2241H) (2)
- DC Resistance: 5.0 ohm  $\pm 10\%$  Aluminum Wire
- Crossover Network: 75399-01

### AURAL SWEEP TEST SPECIFICATIONS:

- A. System Aural Sweep Test: 7.0 Input, 20 Hz to 2 kHz
- B. L.F. Aural Sweep Test: 11.5V Input, 20 Hz to 1.2 kHz

### PHYSICAL SPECIFICATIONS:

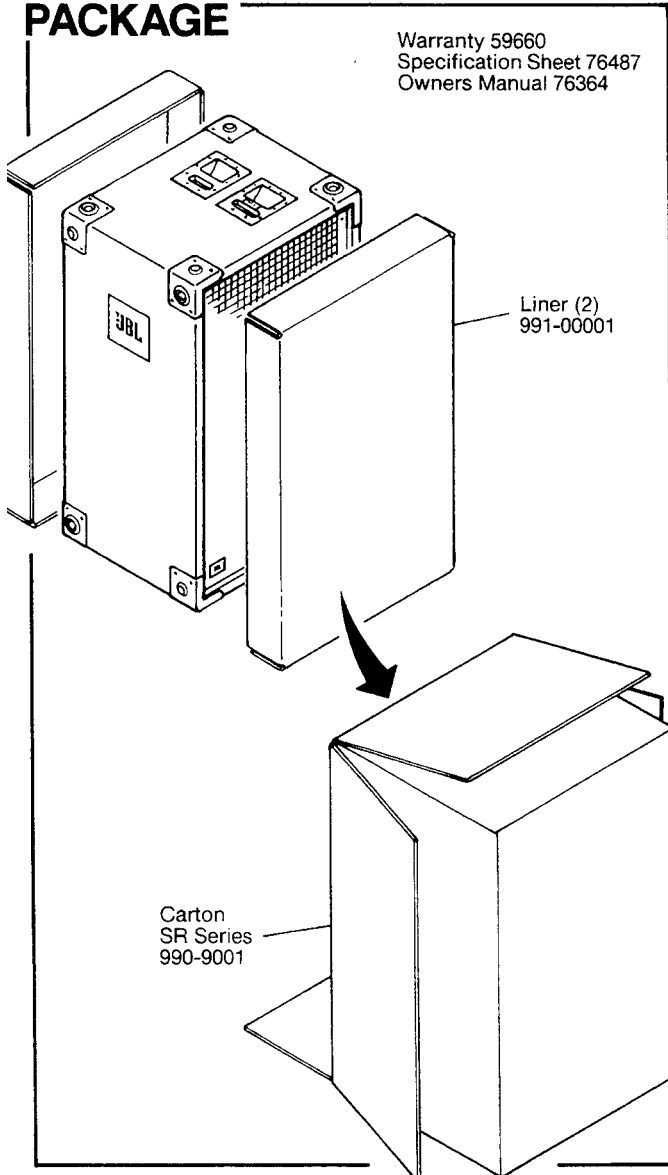
- Enclosure Dimensions: 1240mm x 782mm x 630mm D (48.75 x 30.75 x 24.75 in. D)
- Shipping Weight: 182 lbs. (82.6 kg.)

### WARRANTY INFORMATION:

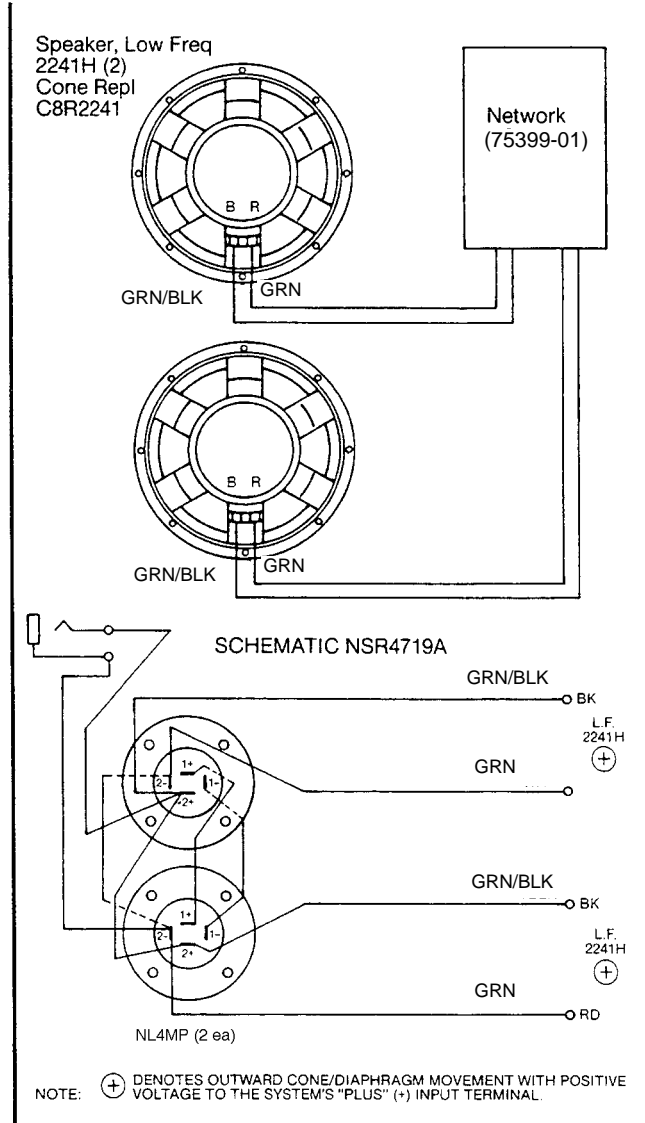
- Refer to the Warranty Statement packed with each product.

\*1 Watt (2.0 V RMS) @ 1 Meter

## PACKAGE



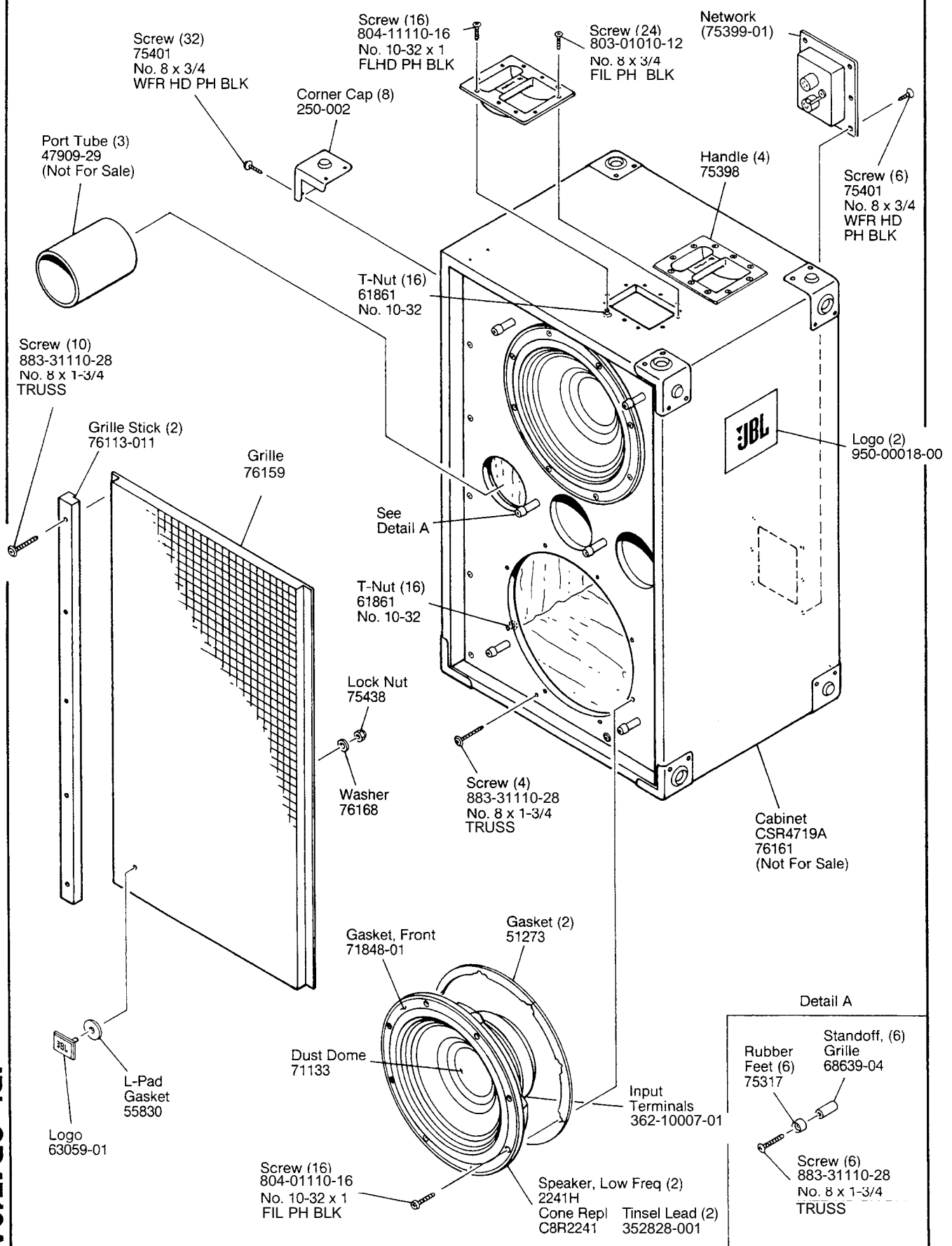
## WIRING DIAGRAM



JBL SR4719A REV H

# JBL SR4719A

## COMPONENT EXPLODED VIEW



JBL SR4719A