

Technical Manual

JBL SR4718A

SPECIFICATIONS



ACOUSTIC & ELECTRICAL SPECIFICATIONS:

- Nominal Impedance: 4 ohm
- Power Capacity: 600W Continuous Pink Noise
- Frequency Range: 30 Hz to 3.3 kHz (-10 dB)
- Sensitivity: 98 dB SPL*
- Crossover Frequencies: N/A

SYSTEM COMPONENTS:

- Cabinet: CSR4718A
- Grille: GSR4718A (71767)
- Low Frequency Transducer: 460mm (18 in.) Paper Cone Transducer (2241G)
- DC Resistance: 3.0 ohm \pm 10% Aluminum Wire
- Crossover Network: (75428-01)

AURAL SWEEP TEST SPECIFICATIONS:

- A. System Aural Sweep Test: 7.0V Input, 20 Hz to 20 kHz
- B. L.F. Aural Sweep Test: 7.5V Input, 20 Hz to 4 kHz

PHYSICAL SPECIFICATIONS:

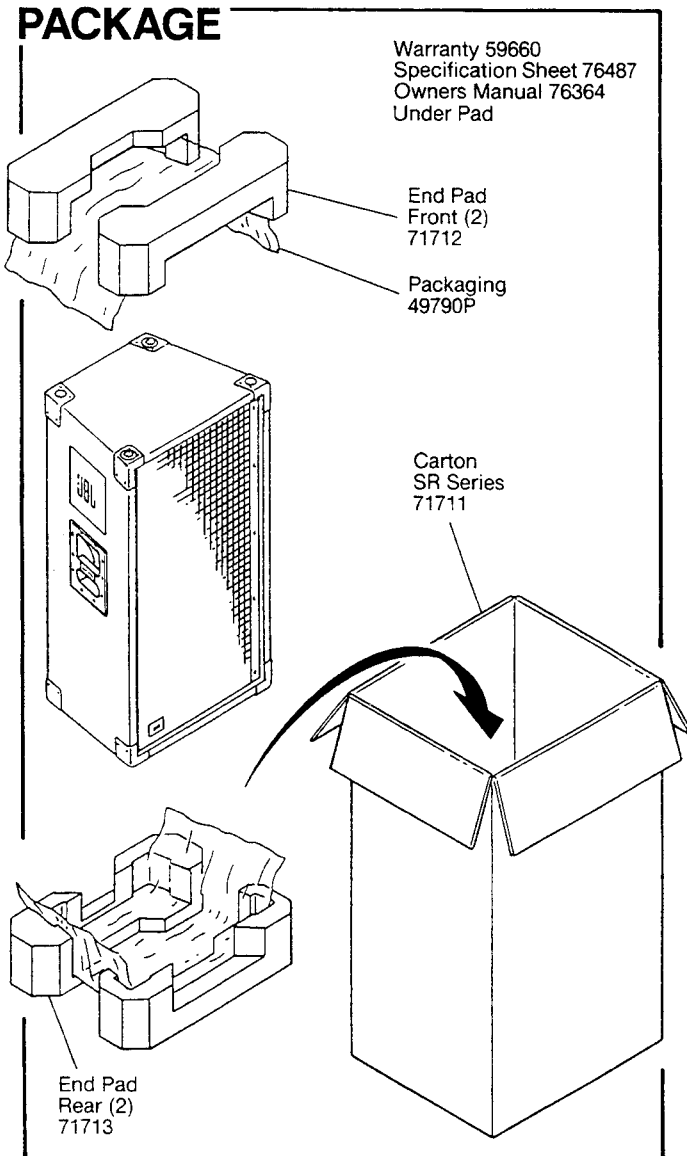
- Enclosure Dimensions: 1092mm x 635mm x 460mm D (43.0 x 25.0 x 18.0 in. D)
- Shipping Weight: 98 lbs. (44.5 kg.)

WARRANTY INFORMATION:

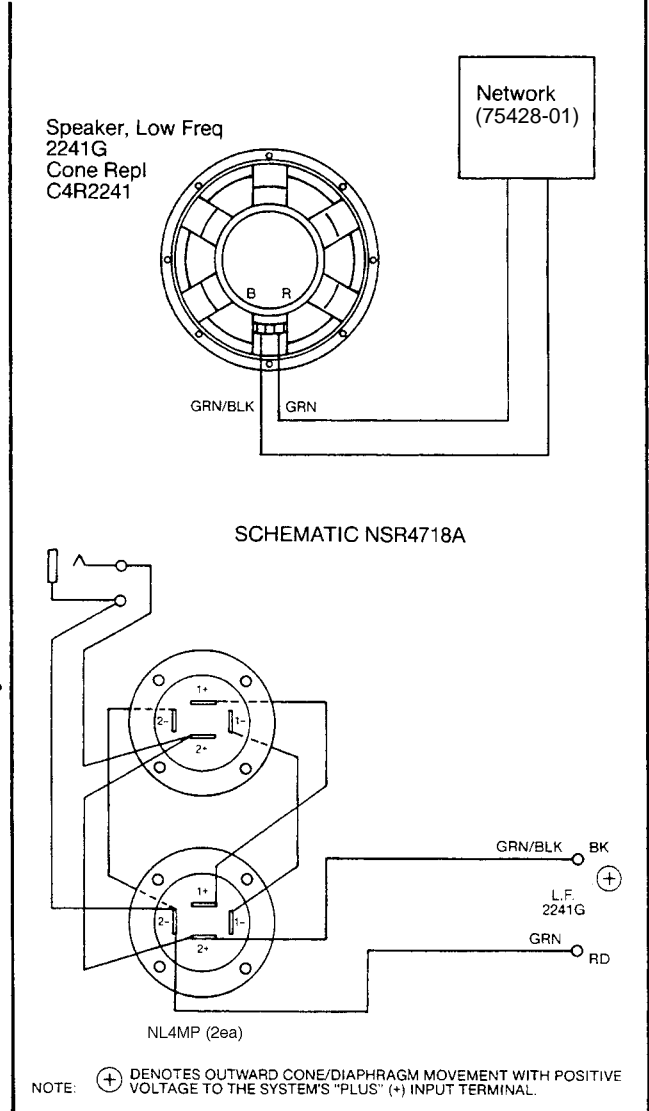
- Refer to the Warranty Statement packed with each product.

*1 Watt (2.0 V RMS) @ 1 Meter

PACKAGE



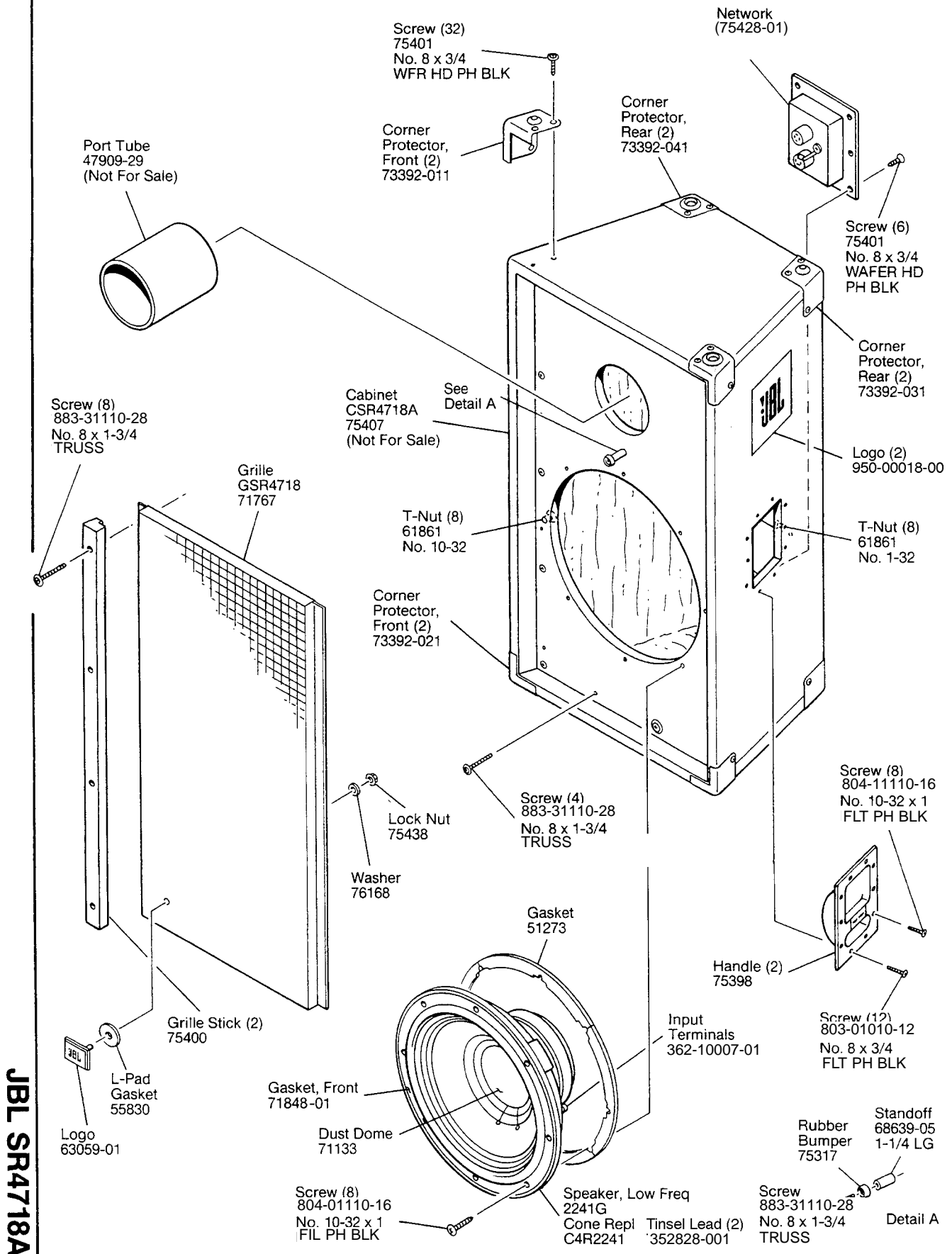
WIRING DIAGRAM



JBL SR4718A REV G

JBL SR4718A

COMPONENT EXPLODED VIEW



JBL SR4718A