

# Technical Manual

# JBL SR4715N

## SPECIFICATIONS



### ACOUSTIC & ELECTRICAL SPECIFICATIONS:

- Nominal Impedance: 4 ohm
- Power Rating: 1200W Continuous Pink Noise  
4800W Peak Pink Noise
- Frequency Range: 40 Hz to 1.1 kHz
- Sensitivity: 100 dB SPL\*
- Crossover Frequencies: N/A

### SYSTEM COMPONENTS:

- Cabinet: CSR4715N
- Grille: GSR4715N (71767)
- Low Frequency Transducer: 380mm (15 in.) Paper Cone Transducer (2226H) (2)
- DC Resistance: 5.0 ohm ±10% Aluminum Wire
- Crossover Network: 74106

### AURAL SWEEP TEST SPECIFICATIONS:

- A. System Aural Sweep Test: 7.0V Input, 20 Hz to 20 kHz
- B. L.F. Aural Sweep Test: 10.0V Input, 20 Hz to 1.2 kHz

### PHYSICAL SPECIFICATIONS:

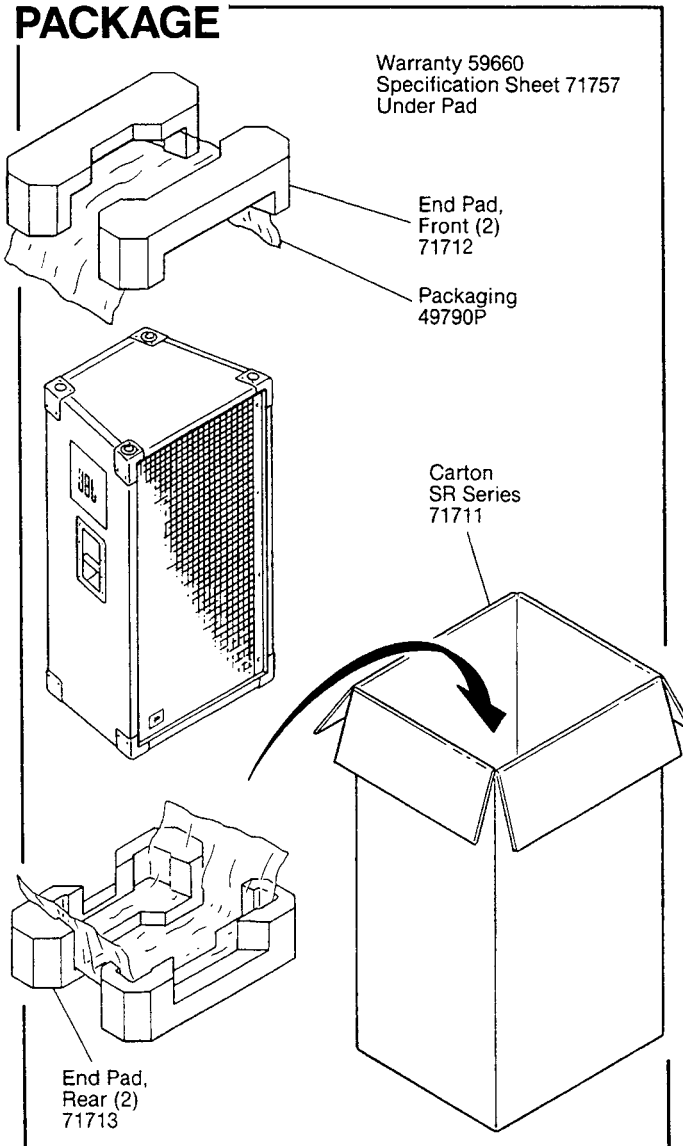
- Enclosure Dimensions: 1092mm x 635mm x 460mm D  
(43.0 x 25.0 x 18.0 in. D)
- Shipping Weight: 106 lbs. (48.2 kg)

### WARRANTY INFORMATION:

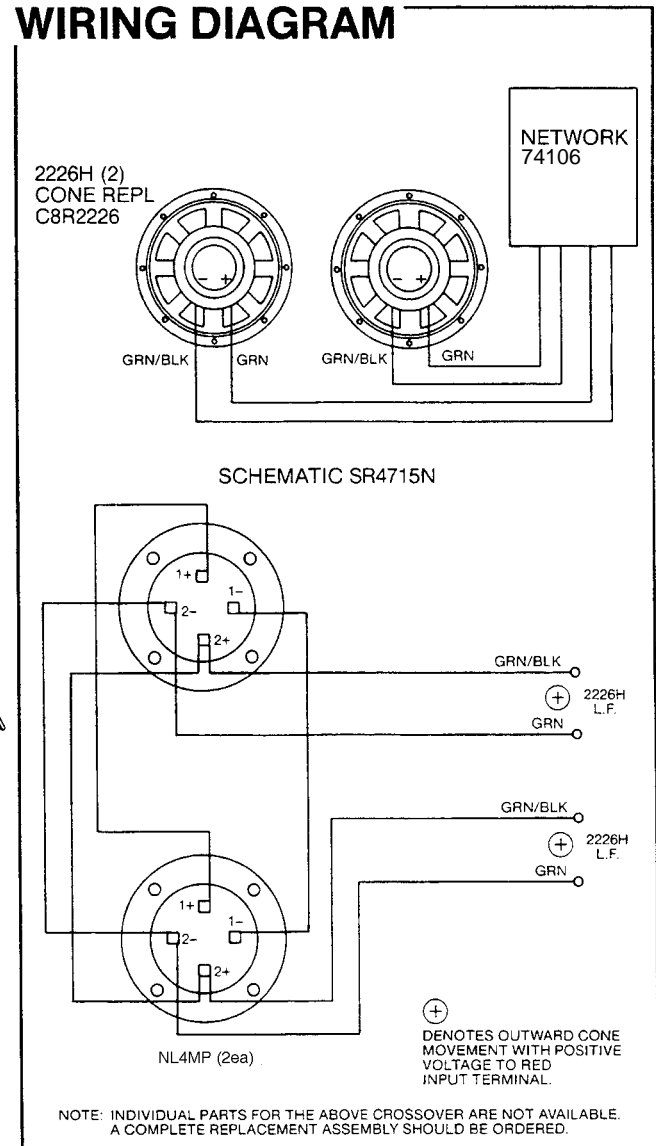
- Refer to the Warranty Statement packed with each product.

\*1 Watt (2.83 V RMS) @ 1 Meter

## PACKAGE



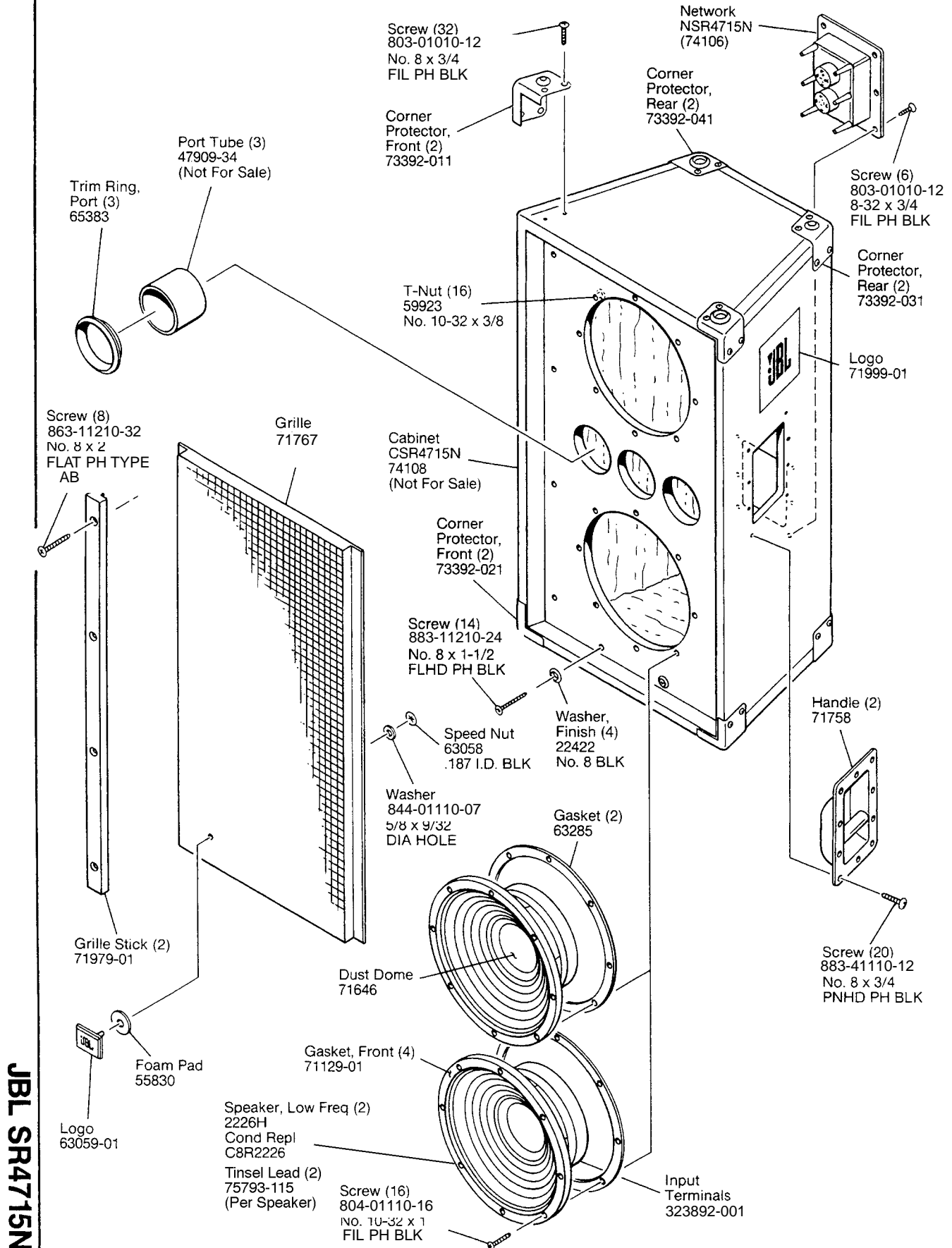
## WIRING DIAGRAM



JBL SR4715N REV F

# JBL SR4715N

## COMPONENT EXPLODED VIEW



JBL SR4715N