

# Technical Manual

# JBL SR4704A

## SPECIFICATIONS



### ACOUSTIC & ELECTRICAL SPECIFICATIONS:

- Nominal Impedance: 8 ohm
- Power Capacity: 600W Continuous Pink Noise
- Frequency Range: 40 Hz to 18 kHz (-10 dB)
- Sensitivity: 97 dB SPL\*
- Crossover Frequencies: 1.1 kHz

### SYSTEM COMPONENTS:

- Cabinet: CSR4704A
- Grille: GSR4704 (71971)
- Low Frequency Transducer: 380mm (15 in.) Paper Cone Transducer (2226H)
- DC Resistance: 5.0 ohm  $\pm 10\%$  Aluminum Wire

### SYSTEM COMPONENTS: (cont'd)

- High Frequency Transducer: 25mm (1 in. Exit) Pure Titanium Compression Driver (2426H)
- DC Resistance: 3.2 ohm  $\pm 8\%$  Aluminum Wire
- Crossover Network: 75964

### AURAL SWEEP TEST SPECIFICATIONS:

- A. System Aural Sweep Test: 7.0V Input, 20 Hz to 20 kHz
- B. L.F. Aural Sweep Test: 14.5V Input, 20 Hz to 1.2 kHz
- C. H.F. Aural Sweep Test: 2.0V Input, 550 Hz to 20 kHz

### PHYSICAL SPECIFICATIONS:

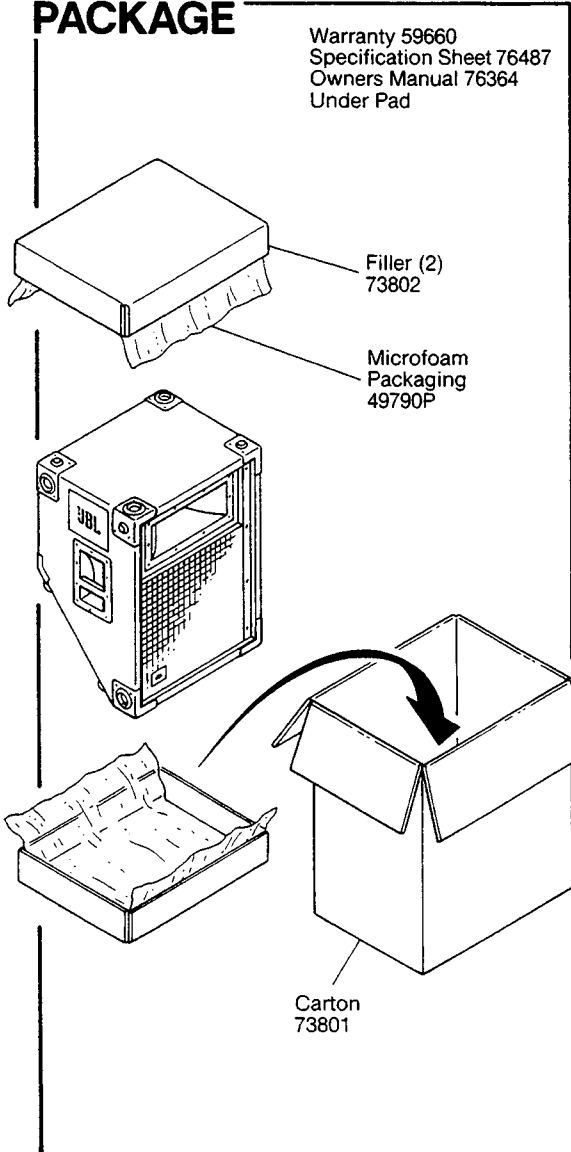
- Enclosure Dimensions: 743mm x 635mm x 445mm D (29.25 x 25.0 x 17.5 in. D)
- Shipping Weight: 81 lbs. (36.8 kg.)

### WARRANTY INFORMATION:

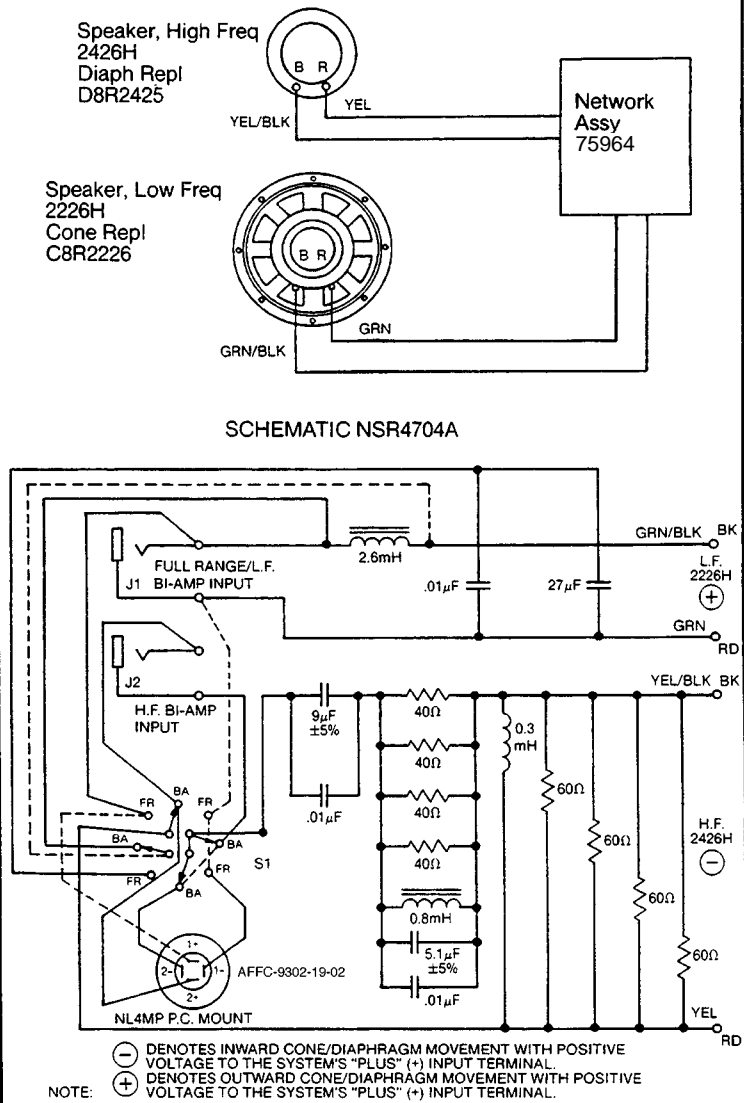
- Refer to the Warranty Statement packed with each product.

\*1 Watt (2.83 V RMS) @ 1 Meter

## PACKAGE



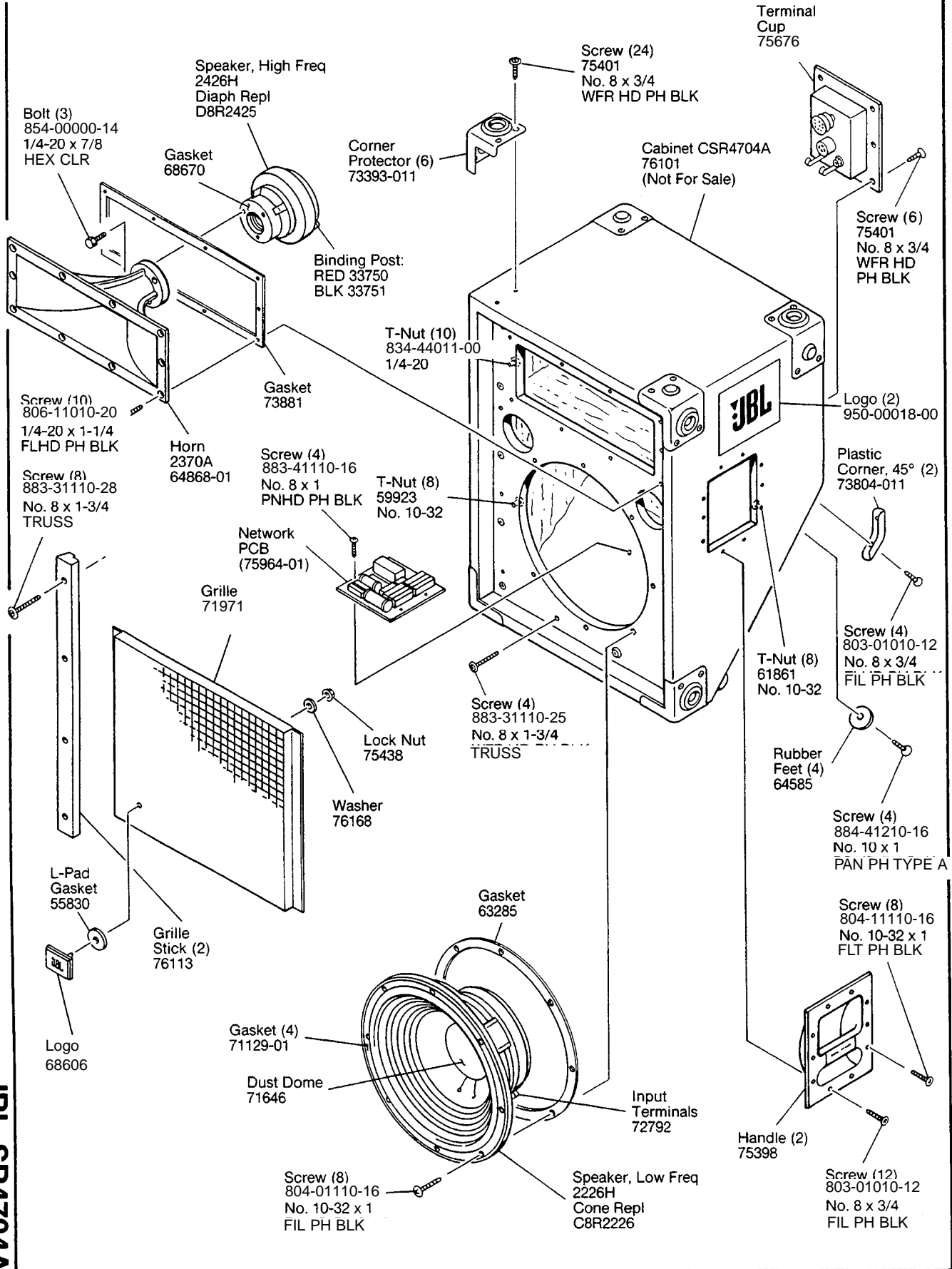
## WIRING DIAGRAM



JBL SR4704A REV F

# JBL SR4704A

## COMPONENT EXPLODED VIEW



JBL SR4704A