

Technical Manual

JBL SR4704

SPECIFICATIONS



ACOUSTIC & ELECTRICAL SPECIFICATIONS:

- Nominal Impedance: 8 ohm
- Power Capacity: 600W Continuous Pink Noise
2400W Peak Pink Noise
- Frequency Range: 40 Hz to 18 kHz (-10 dB)
- Sensitivity: 97 dB SPL*
- Crossover Frequencies: 1.1 kHz

SYSTEM COMPONENTS:

- Cabinet: CSR4704
- Grille: GSR4725 (71971)
- Low Frequency Transducer: 380mm (15 in.) Cone Transducer (2226H)
- DC Resistance: 5.0 ohm $\pm 10\%$ Aluminum Wire

SYSTEM COMPONENTS: (cont'd)

- High Frequency Transducer: 44mm (1-3/4 in.) Pure Titanium Diaphragm Compression Driver (2426H)
- DC Resistance: 3.2 ohm $\pm 8\%$ Aluminum Wire
- Crossover Network: 71935

AURAL SWEEP TEST SPECIFICATIONS:

- A. System Aural Sweep Test: 7.0V Input, 20 Hz to 20 kHz
- B. L.F. Aural Sweep Test: 10.0V Input, 20 Hz to 1.2 kHz
- C. H.F. Aural Sweep Test: 2.83V Input, 550 Hz to 1.2 kHz

PHYSICAL SPECIFICATIONS:

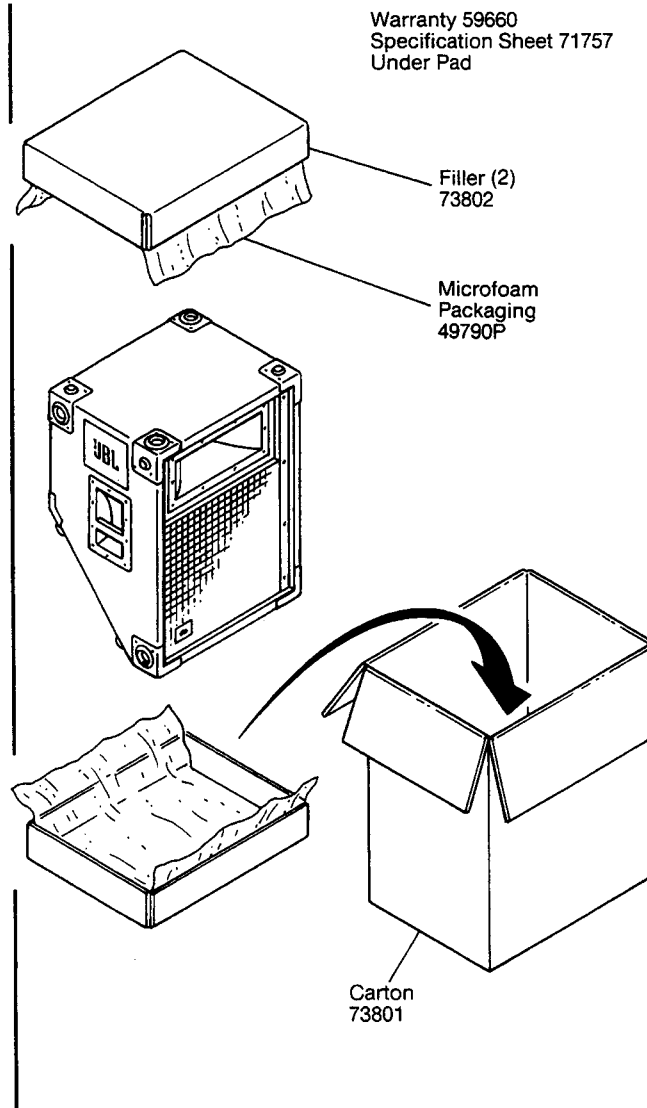
- Enclosure Dimensions: 743mm x 635mm x 445mm D
(29.25 x 25.0 x 17.5 in. D)
- Shipping Weight: 81 lbs. (36.8 kg)

WARRANTY INFORMATION:

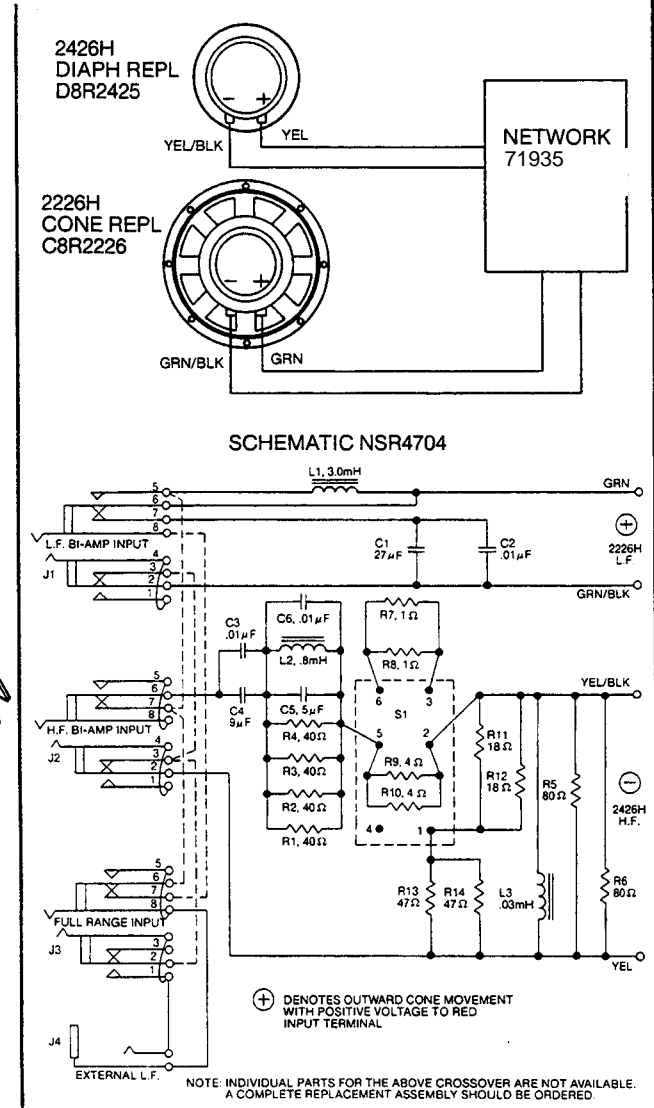
- Refer to the Warranty Statement packed with each product.

*1 Watt (2.83 V RMS) @ 1 Meter

PACKAGE



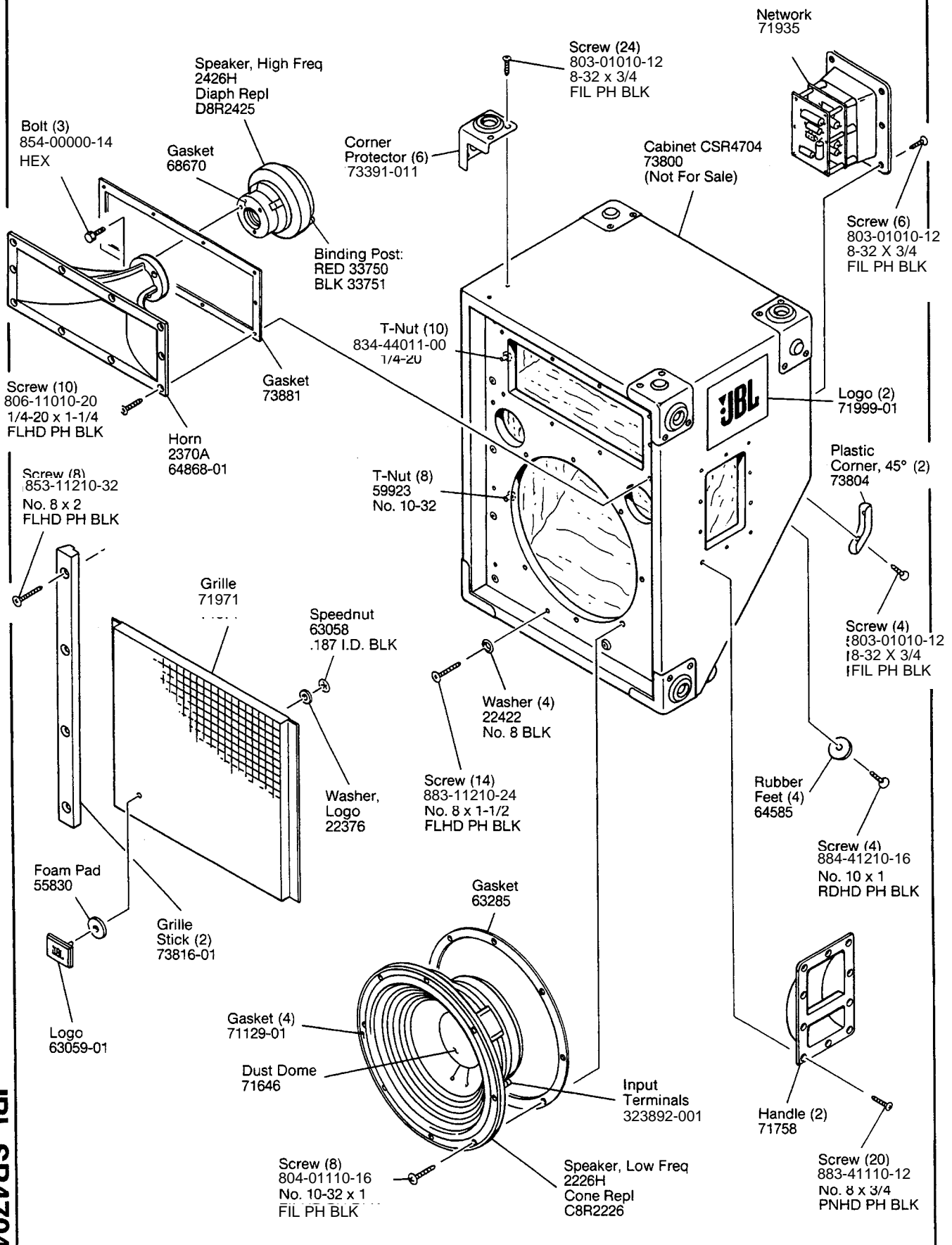
WIRING DIAGRAM



JBL SR4704 REV D

JBL SR4704

COMPONENT EXPLODED VIEW



JBL SR4704