

# Technical Manual



# JBL PRX618S-XLF/230

## SPECIFICATIONS

### ACOUSTIC & ELECTRICAL SPECIFICATIONS:

- Frequency Response ( $\pm 3$  dB): 39 Hz – 93 Hz
- Frequency Range ( $-10$  dB): 30 Hz – 105 Hz
- Maximum SPL Output: 133 dB peak
- Input Impedance: 20K Ohms (balanced), 10K Ohms (unbalanced)
- Crossover Frequency: 90 Hz

### SYSTEM COMPONENTS:

- Cabinet: Enclosure (Not For Sale)
- Grille: 444737-001
- Low Frequency Driver: 2268FF, 460 mm (18 in) Differential Drive® dual voice-coil and magnet gap, neodymium woofer
- D.C. Resistance: 2.7 +/- 10% x 2

### AURAL SWEEP TEST SPECIFICATIONS:

- A. System. Aural Sweep Test: 250mV Input, 20 Hz to 120 Hz  
Volume at full C/W, polarity switch in, and Xover switch out.
- B. L.F. Aural Sweep Test: 10V Input, 10 Hz to 1000 Hz

### PHYSICAL SPECIFICATIONS:

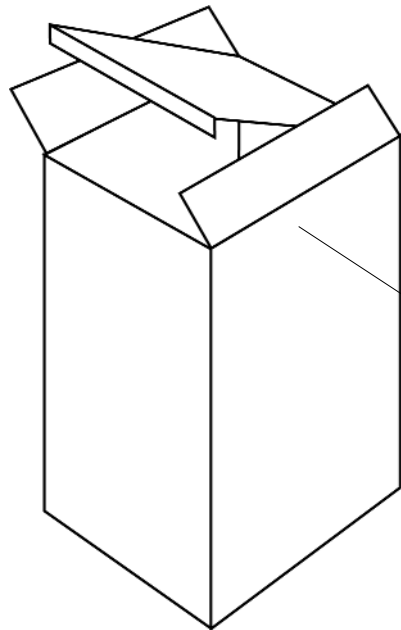
- Enclosure Dimensions: 685.8 x 530.9 x 716.3 mm D (27.0 x 20.9 x 28.2 in. D)
- Net Weight: 81.5 lb (37 kg)

### WARRANTY INFORMATION:

- Refer to Warranty Statement packed with each product.

## PACKAGE

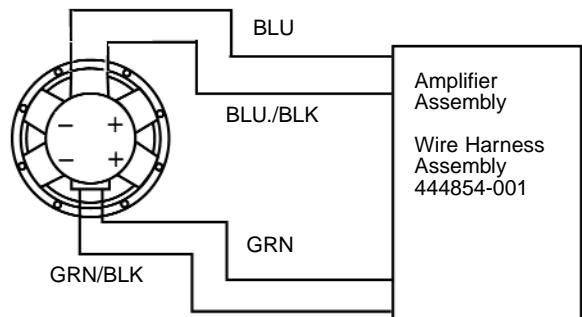
Warranty Card  
59660



- Manual 444833-001
- Carton 444857-001
- Filler (2) 444858-001
- PKG, Microfoam (8) 49790P
- Cord, AC, Line 425-00000-00 (120V)  
425-00000-01 (230V)

## WIRING DIAGRAM

Driver, Low Freq.  
2268FF  
(364537-001X)  
Cone Repl  
C2X2R2268

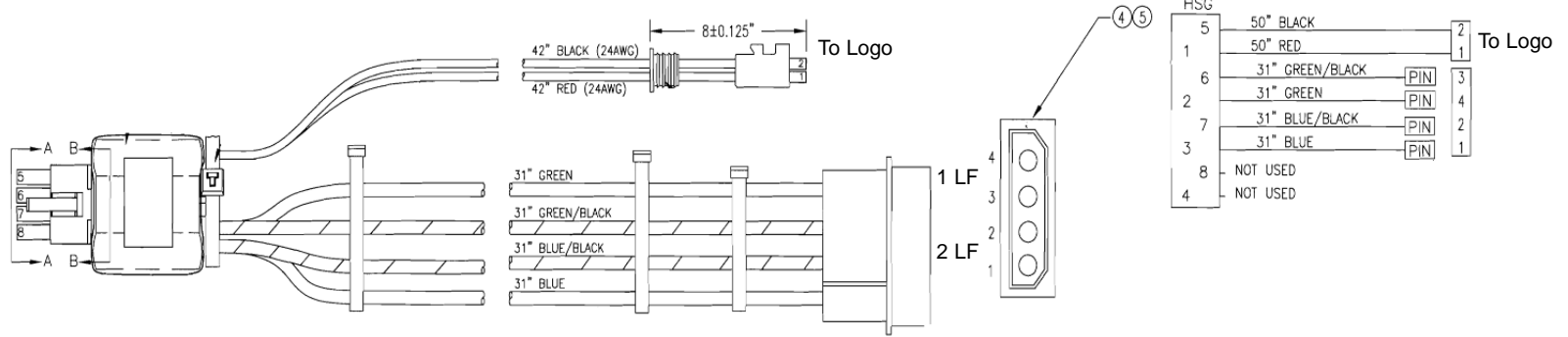


JBL PRX618S-XLF/230 REV B

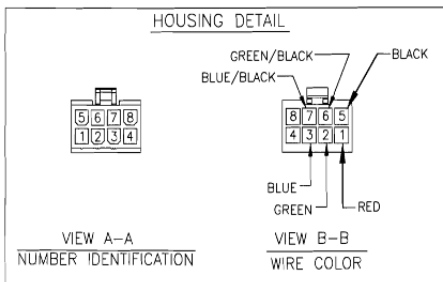
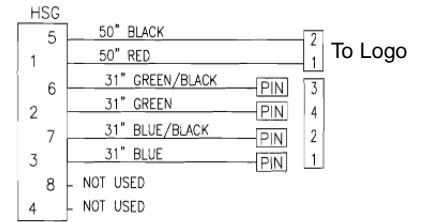
# JBL PRX618S-XLF/230

## DIAGRAM (444854-001)

### Wire Harness Assembly



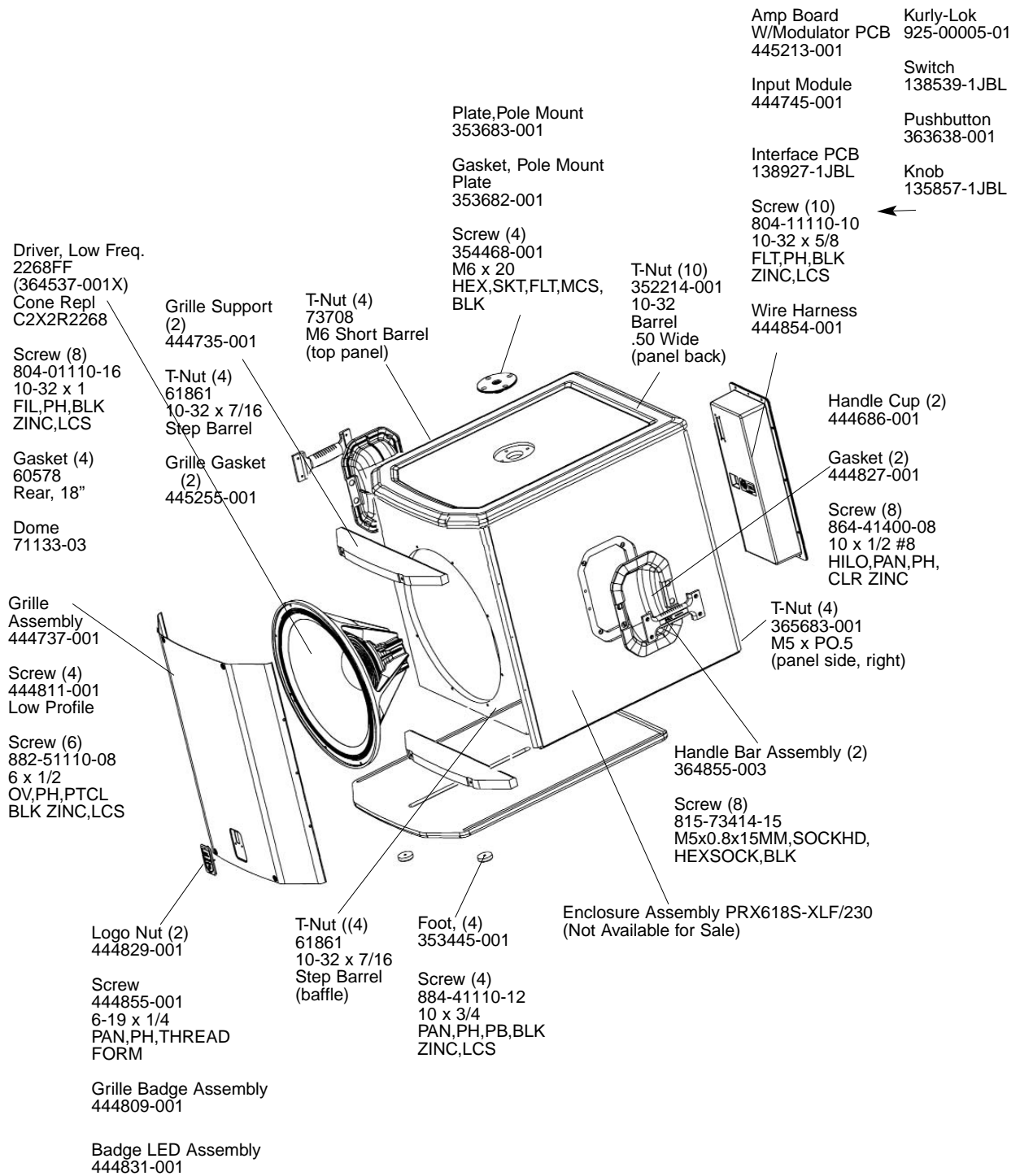
#### SCHEMATIC



JBL PRX618S-XLF/230

# JBL PRX618S-XLF/230

## COMPONENT EXPLODED VIEW



JBL PRX618S-XLF/230