

8

7

6

5

4

3

2

1

THESE DRAWINGS AND SPECIFICATIONS ARE THE PROPERTY OF JBL INCORPORATED THEY ARE ISSUED IN STRICT CONFIDENCE AND SHALL NOT BE REPRODUCED, COPIED, OR USED AS THE BASIS FOR MANUFACTURING OR SALE OF APPARATUS WITHOUT WRITTEN PERMISSION.

ALL MATERIAL SPECIFIED ON THIS DRAWING SHALL COMPLY WITH EUROPEAN DIRECTIVE 2002/95/EC. RoHS

PART NO	DESCRIPTION
362101-001	OBSOLETE
362101-002	AMP. ASSEMBLY, SW1

33201

C

SIGNAL BOARD CHANGES:

REMOVED COMPONENTS:

- RESISTORS: R77, R124, R125
- DIODES: D9
- TRANSISTORS: Q3
- RELAYS: K2

COMPONENT VALUE CHANGES:

- R71 CHANGES TO 12.4K
- R56 CHANGES TO 374R
- R7 CHANGES TO 3.32K
- R134 CHANGES TO 33.2K

FL

CHG

LTR

DESCRIPTION

DRFT CHK DATE APPR

FL

AMP ASSY. MECHANICAL DRAWING CHANGES:

- ADD STANDOFF IMAGE (B7) AND PART NUMBER ON PAGE 2
- ADD LIGHTPIPE IMAGE (B7) ON PAGE 2
- DELETE ITEM 32 ON PAGE TWO, IT IS SHOWN AS ITEM 38 ON PAGE 3
- ADD KAPTON NOTE AND IMAGE (A5) ON PAGE 2
- ADD AMP SHIELD IMAGE (B7) ON PAGE 2
- ADD LABEL PLACEMENT NOTE (D6) ON PAGE 2
- CHANGE ALL ITEM NUMBERS AND BUBBLE NUMBERS ON PAGE 3
- ADD RIBBON CABLE PINOUT VIEW (C2) ON PAGE 3
- ADD CONNECTOR ORIENTATION VIEW (B7) ON PAGE 3
- CHANGE ITEM 38 DESCRIPTION AND PART NUMBER ON PAGE 3
- CHANGE ALL ITEM NUMBERS AND BUBBLE NUMBERS ON PAGE 4
- ADD RTV AT (A7) ON PAGE 4

AMPLIFIER CHANGES:

MAIN PWA CHANGES = 138977-1 REV 8

NAME	FROM	TO	DESCRIPTION
F1	3A FAST BLOW	5A FAST BLOW	VALUE CHANGED FROM 3A TO 5A
C180	139278-1	A10434-224JA	VALUE CHANGED FROM 0.47ufd TO 0.22ufd
C181	139278-1	A10434-224JA	VALUE CHANGED FROM 0.47ufd TO 0.22ufd
R17	A11368-30111	A11368-34011	VALUE CHANGED FROM 3.01K TO 3.4K
R18	A11368-49910	A11368-52311	VALUE CHANGED FROM 4.99K TO 5.23K
R601	A11368-20033	A11368-10043	VALUE CHANGED FROM 200K TO 1M
D603	NEW	OPEN	PART NOT USED AT THIS TIME
D604	NEW	C 7478-8	NEW PART ADDED
R14	NEW	A11368-10030	NEW PART ADDED
R618	NEW	A11368-10R00	NEW PART ADDED
C608	OPEN	DELETED	
C609	OPEN	DELETED	
R602	A11368-59032	DELETED	
138656-1	REV 7	REV 8	NEW PWB

MODULATOR PWA CHANGES = 138978-1 REV 6

NAME	FROM	TO	DESCRIPTION
R319	A11368-15020	A11368-84510	VALUE CHANGED FROM 15K TO 8.45K
R119	A11368-15020	A11368-84510	VALUE CHANGED FROM 15K TO 8.45K

SIGNAL BOARD CHANGES:

- REV F CHANGES
- PCB GROUNDING CHANGE
- RESISTOR VALUE CHANGES TO ADJUST THE LINE AND MICROPHONE INPUTS
- RESISTOR ADDED AT THE LOW END OF THE POTENTIOMETER
- DIODE NETWORK ADDED TO PROTECT THE INPUT OF THE ADC FOR LARGE SIGNALS
- CHANGE VALUE FOR C91 CAPACITOR

REV F2 CHANGES

- ON THE PCB THE CGND WAS FLOODED. THE R148 (100 Ohm) WAS REPLACED BY C127 (1nF) AND POSITIONS NEAR THE CENTRAL PCB MOUNTING HOLE WITH A CGND RING. THE C127 AS WITH THE R148 CONNECTS THE AGND TO CGND. THE R148 IS MISSING FROM THE BOM.

33531

D

OBSOLETE -001, RELEASE -002 CHANGES FROM -001 TO -002 ARE AS FOLLOWS:

- POWER SWITCH: FROM ARCOLECTRIC C1300AABB-IEC65 TO ARCOLECTRIC C1300AAAAS
- CAPACITOR MAIN POWER AMP BOARD: VTECH 22-1472-71N01, 4700uf, 63V, 20% RAD (TEAPO LH063M470052T) TO VTECH 22-1472-71N01, 4700uf, 63V, 20% RAD 105C (TEAPO LG063M470072T)
- OP AMP, INPUT MODULE: U2 FROM OM-SEMI MC33078DR2G (VTECH 27-E085-00N00) TO TI TL072CD (VTECH 27-5114-03N00)
- XLR CONNECTOR: SWITCHCRAFT PD3MS2 (VTECH 40-C578-00N00) TO SWITCHCRAFT E3MST (VTECH 40-C578-00N01), PLASTIC TO METAL BARREL XLR CONNECTOR
- GERBER FILES, INPUT MODULE: REV H TO REV J. FIXED ERROR ON SWITCHCRAFT E3MST PINOUT, PINS 1 & 2 SWAPPED

FL CM 1/24/07 SL

32987

A

34140

E

- ADD 3 #8, .045" THICK, INTERNAL STAR LOCKWASHER BETWEEN THE CIRCUIT BOARD AND THE LONG CLAMPING BAR (PG. 4)
- RIGHT ANGLE HEADER, ADD APPROVED COMPONENT FROM ALTERNATE MANUFACTURER. (METHODE P/N M640-H212-03-01W)
- ADD SPARE FUSE IN THE IEC CONNECTOR HOLDER (VTECH P/N44-7548-00200, 250V, 5A)

FL

34483

F

BILL OF MATERIAL:

ADD NEW FAIRCHILD IGBT (#HGT12N60A4D) AS AN EQUIVALENT OPTION TO THE EXISTING IR PART. THE REFERENCE DESIGNATORS ARE Q605 & Q606.

* NOTE: AMP MUST HAVE IR PARTS OR FAIRCHILD PARTS. AMPS MUST NEVER HAVE AN IR PART OR FAIRCHILD PART MIXED TOGETHER.

FL 6/7/07

33095

B

SIGNAL BOARD CHANGES:

- R8 (NEAR U3 CLOCK) IS REPLACED WITH CAPACITOR C128=47pF
- R7 (NEAR U2 SIGNAL LED) CHANGED VALUE
- R11 (NEAR U2 CLIP LED) IS REMOVED
- R134 (NEAR U2 CLIP LED) CHANGED VALUE
- R5 (NEAR U2 CLIP LED) CHANGED VALUE
- R56 (NEAR D1 CLIP LED) CHANGED VALUE

- ALL THE COMPONENTS ON THE SECOND XLR INPUT (NEAR J3, U8) ARE REMOVED:
 - U8
 - R79, R78, R57, R63, R70, R65, R69, R70, R63
 - C44, C45

OUTPUT MATRIX FERRITES FROM FB2 TO FB19 ONLY THE FOLLOWING ARE PLACED: FB7, FB10, FB13, FB17, FB15 AND FB3

1. REFERENCE CROWN PART NUMBER #139693

NOTES: (UNLESS OTHERWISE SPECIFIED)

UNCONTROLLED COPY

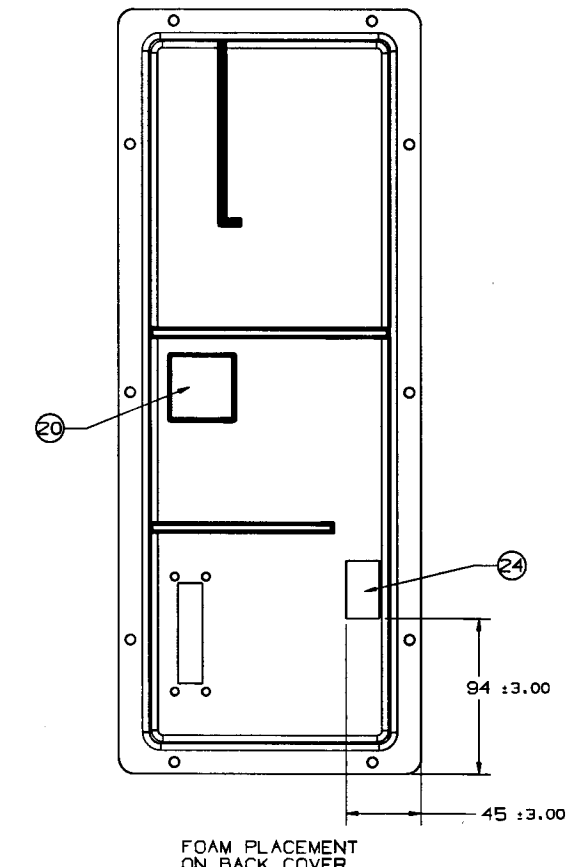
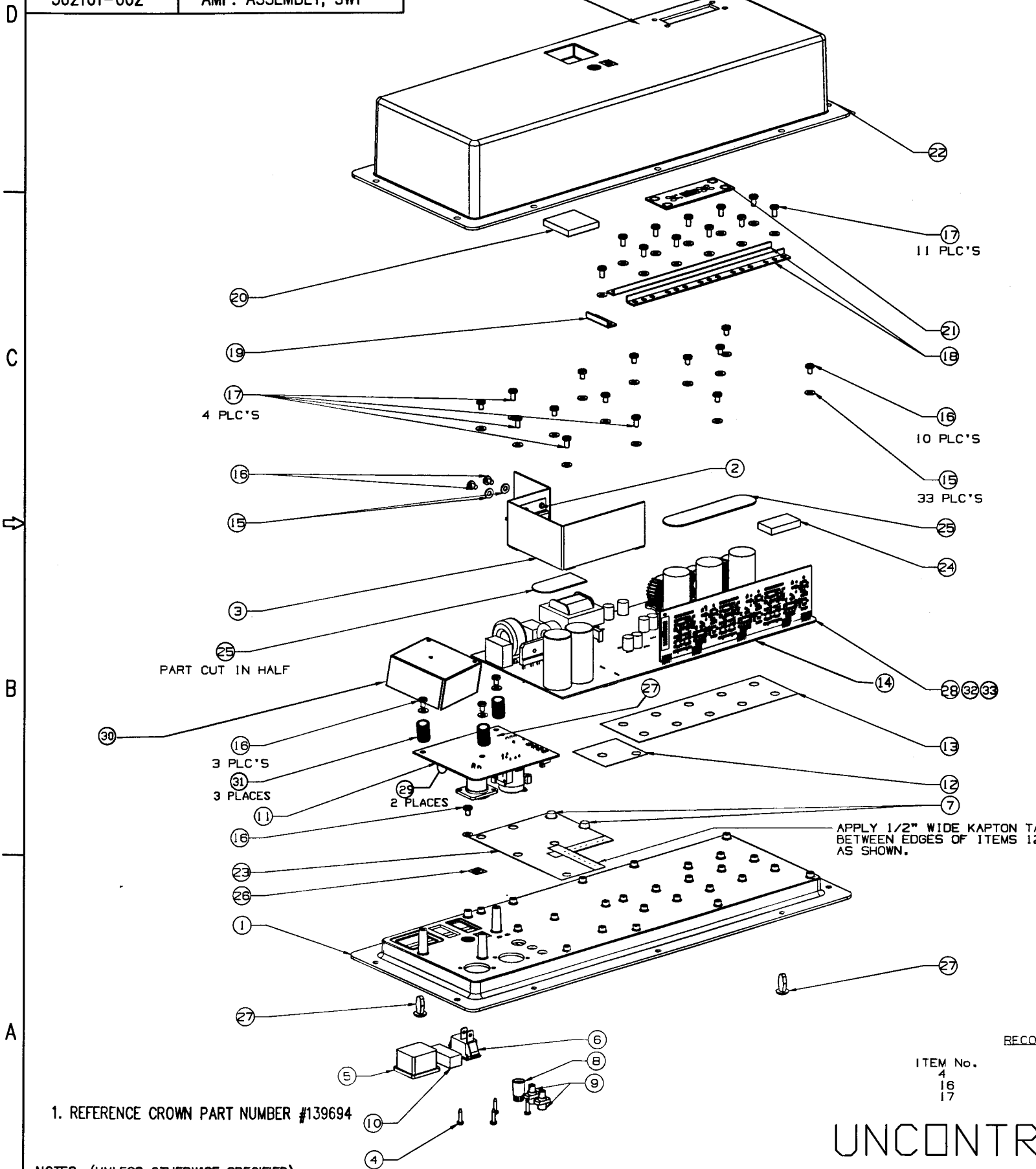
ITEM	PART NO.	DESCRIPTION	REMARKS/REF P/N'S
<p>TOLERANCES UNLESS OTHERWISE SPECIFIED:</p> <p>.XXX ± .005 INCH</p> <p>.XX ± .010 INCH</p> <p>X ± .020 INCH</p> <p>FRACTIONAL ± 1/32</p> <p>ANGULAR ± 30'</p>			
DRAWN BY		DATE	JBL Professional
DESIGNER		DATE	A Harman International Company
ENG		DATE	Northridge, California 91329, U.S.A.
MODELS		THIRD ANGLE PROJECTION	TITLE
SW1		SCALE: NTS	AMP. ASSEMBLY
D		DRAWING NO.	362101
REV		REV	F
SHEET		1 OF 4	

THESE DRAWINGS AND SPECIFICATIONS ARE THE PROPERTY OF JBL INCORPORATED THEY ARE ISSUED IN STRICT CONFIDENCE AND SHALL NOT BE REPRODUCED, COPIED, OR USED AS THE BASIS FOR MANUFACTURING OR SALE OF APPARATUS WITHOUT WRITTEN PERMISSION.

ALL MATERIAL SPECIFIED ON THIS DRAWING SHALL COMPLY WITH EUROPEAN DIRECTIVE 2002/95/EC. **RoHS**

PART NO	DESCRIPTION
362101-002	AMP. ASSEMBLY, SW1

APPLY P/N AND S/N LABEL HERE



ITEM	QTY	DESCRIPTION	PART NO.
33	1	FERRITE SLEEVE	363646-001
32	-	DELETE	-
31	3	STAND-OFF'S	13-7102-00N00
30	1	AMP SHIELD	363143-001
29	2	LIGHTPIPES	362976-001
28	1	PWA, SW1 MODULATOR	138981-1
27	2	FASTENER, CJ2000D BUTTON	135678-1
26	1	LABEL, VDE EARTH GROUND	D 7037-1
25	1.5	COVER, DP3 4 CAP	138181-1
24	1	FOAM, MRX MODULATOR	139379-1
23	1	INSULATOR, MRX CHASSIS	139241-1
22	1	CHASSIS, MRX BOTTOM	362059-001
21	1	PWA, MRX SPEAKER INTERFACE	138927-1
20	1	FOAM, MRX XFMR SUPPORT	138941-1
19	1	CLIP, MRX IGBT	138556-1
18	2	CLIP, MRX TO-220	138555-1
17	15	SCREW, M4X6 PH(+)	138942-1
16	16	SCREW, M4X6 PH(+)	137892-1
15	31	WASHER, M4 CONICAL	137633-1
14	1	PWA, SW1 MAIN	138980-1
13	1	SILPAD, MRX	138525-1
12	1	SILPAD, MRX IGBT	138745-1
11	1	INPUT MODULE, SW1	362903-001
10	1	SWITCH, VOLTAGE SELECTOR	138539-1
9	2	PUSHBUTTON, .75 BEADED	363638-001
8	1	KNOB, XS PRODUCT	135857-1
7	2	BUMPER, .37D1AX.19H1	133766-1
6	1	SWITCH, SPST FR HIGH INRUSH 20A	127146-1
5	1	IEC SNAP IN 15A UL/10A VDE	138258-1
4	4	SCREW, #4X.5 PN HD PH AB BZ	A10111-7040B
3	1	SHIELD, MRX	138521-1
2	1	CLIP, MRX AMPLIFIER	138922-1
1	1	CHASSIS, MRX FRONT	362223-001
ITEM	QTY	DESCRIPTION	PART NO.

RECOMMENDED ASSEMBLY TORQUES

ITEM No.	PART No.	TORQUE SETTINGS
4	A10111-7040B	5-6 IN. LBS.
16	137892-1	9-11 IN. LBS.
17	138942-1	9-11 IN. LBS.

1. REFERENCE CROWN PART NUMBER #139694

NOTES: (UNLESS OTHERWISE SPECIFIED)

UNCONTROLLED COPY

ITEM	PART NO.	DESCRIPTION	REMARKS/REF P/N'S
TOLERANCES UNLESS OTHERWISE SPECIFIED: .XXX ± .005 INCH .XX ± .010 INCH .X ± .020 INCH FRACTIONAL ± 1/32 ANGULAR ± 30°			
DATE	04/04/06	DESIGNER	JBL Professional A Harman International Company Northridge, California 91329, U.S.A.
TITLE		AMP. ASSEMBLY	
SCALE	NTS	SHEET	2 of 4
MODELS	SW1	THIRD ANGLE PROJECTION	D 362101 F

8

7

6

5

↓

4

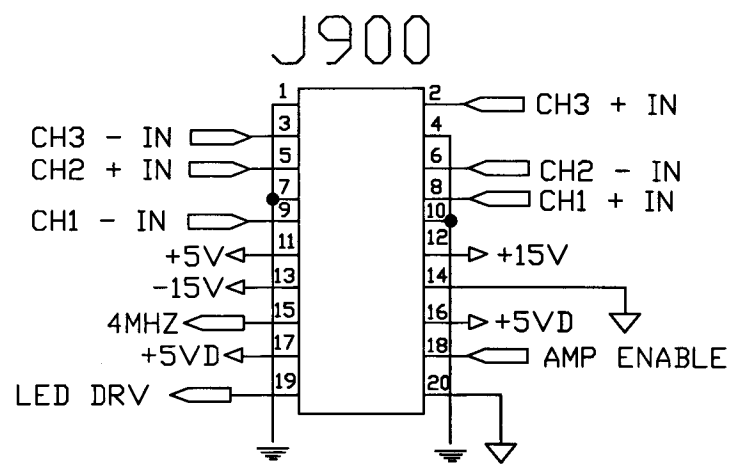
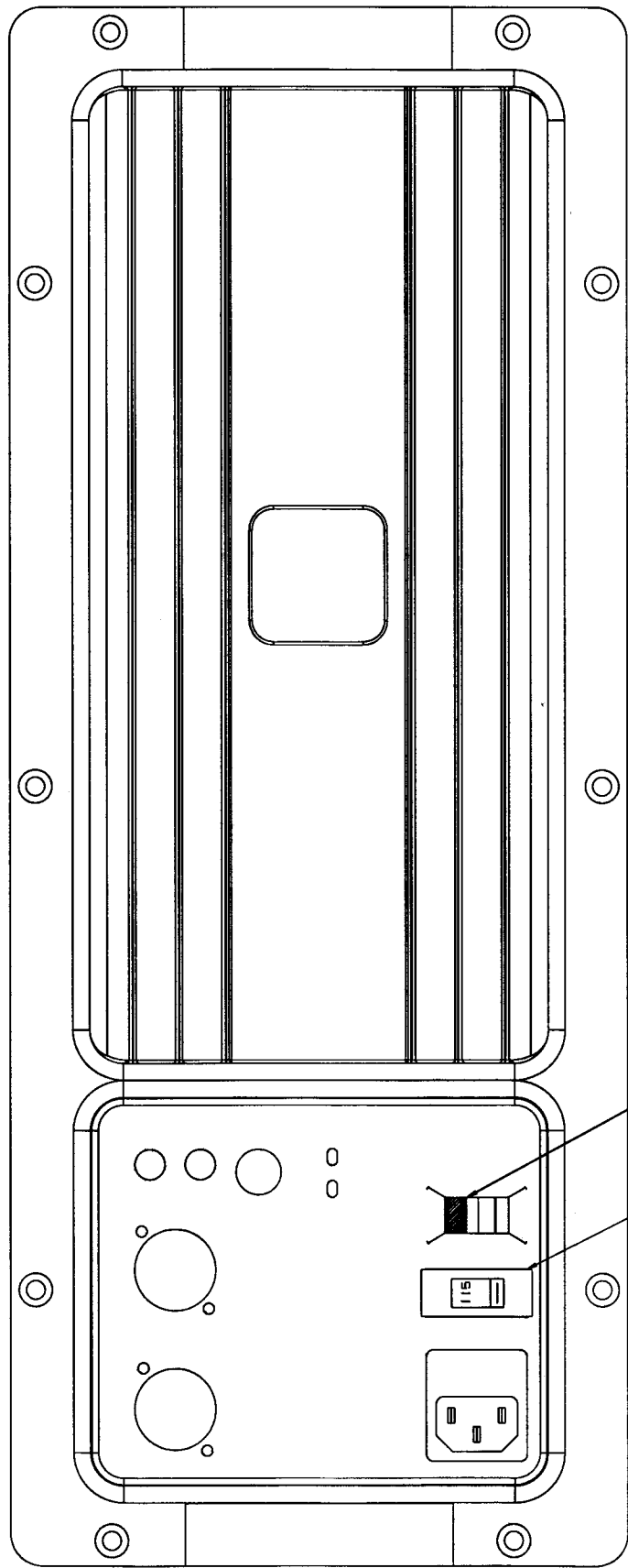
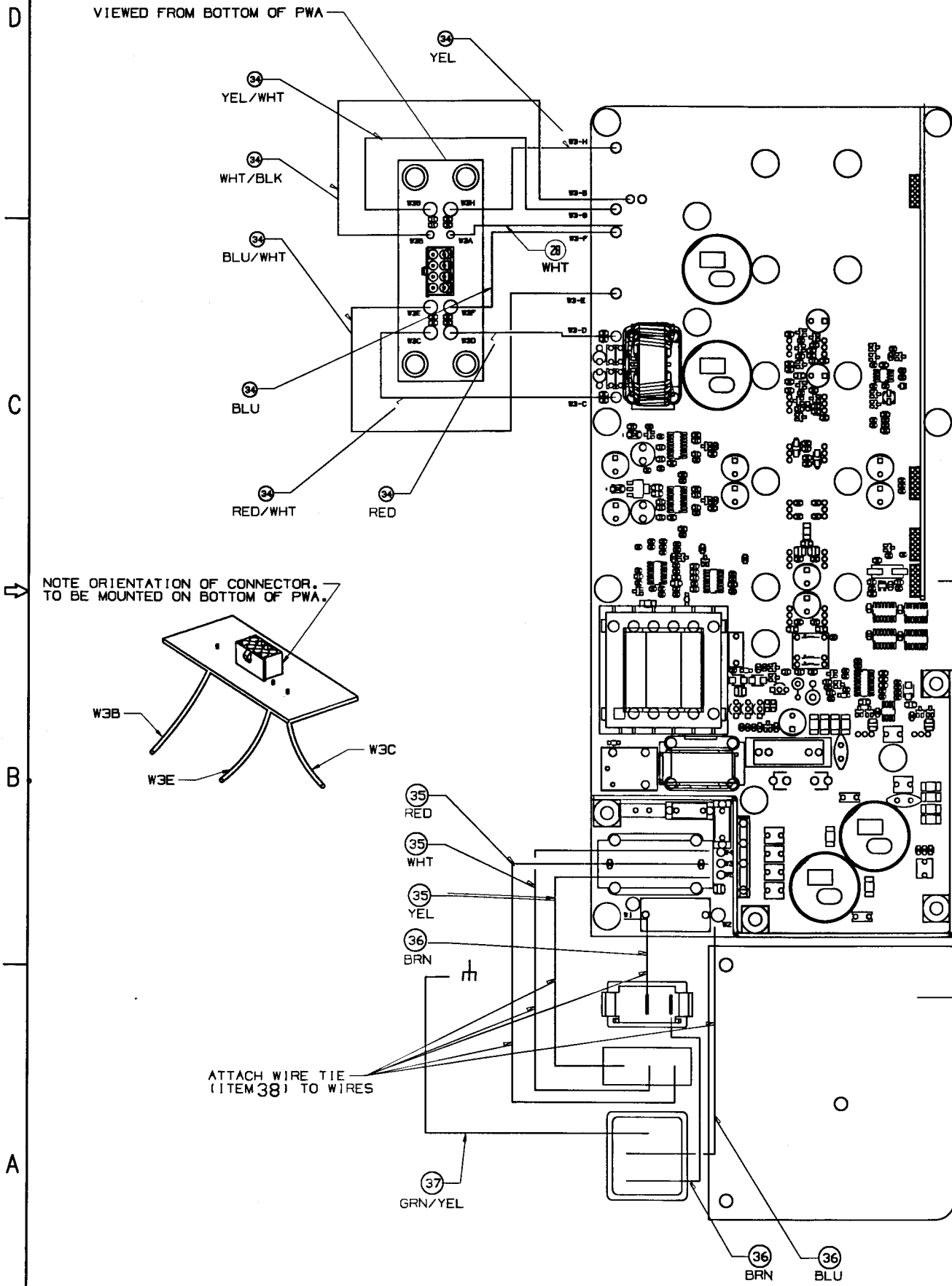
3

2

1

THESE DRAWINGS AND SPECIFICATIONS ARE THE PROPERTY OF JBL INCORPORATED THEY ARE ISSUED IN STRICT CONFIDENCE AND SHALL NOT BE REPRODUCED, COPIED, OR USED AS THE BASIS FOR MANUFACTURING OR SALE OF APPARATUS WITHOUT WRITTEN PERMISSION.

		REVISIONS					
CHG	LTR	DESCRIPTION	DRFT	CHK	DATE	APPR	
		SEE SHEET 1 FOR INFORMATION					



RIBBON CABLE PINOUT

ITEM	QTY	DESCRIPTION	PART NO.
39	1	TIE, CABLE, NYL., .14"X5 5/8"	13-7339-00-00
38	1	RIBBON CABLE ASSEMBLY	46-8416-01N00
37	1	WIRE, MRX GROUND	138949-1
36	1	WIRES, MRX PRIMARY	138949-1
35	1	WIRES, MRX VOLT SELECTOR	138950-1
34	1	WIRES, MRX INTERFACE BRD	138945-1

REMARKS/REF P/N'S	
 JBL Professional A Harman International Company Northridge, California 91329, U.S.A.	
TITLE	
AMP ASSEMBLY	
REV	REV
D	F
SCALE NTS	SHEET 3 of 4

NOTES: (UNLESS OTHERWISE SPECIFIED)

UNCONTROLLED COPY

8

7

6

5

4

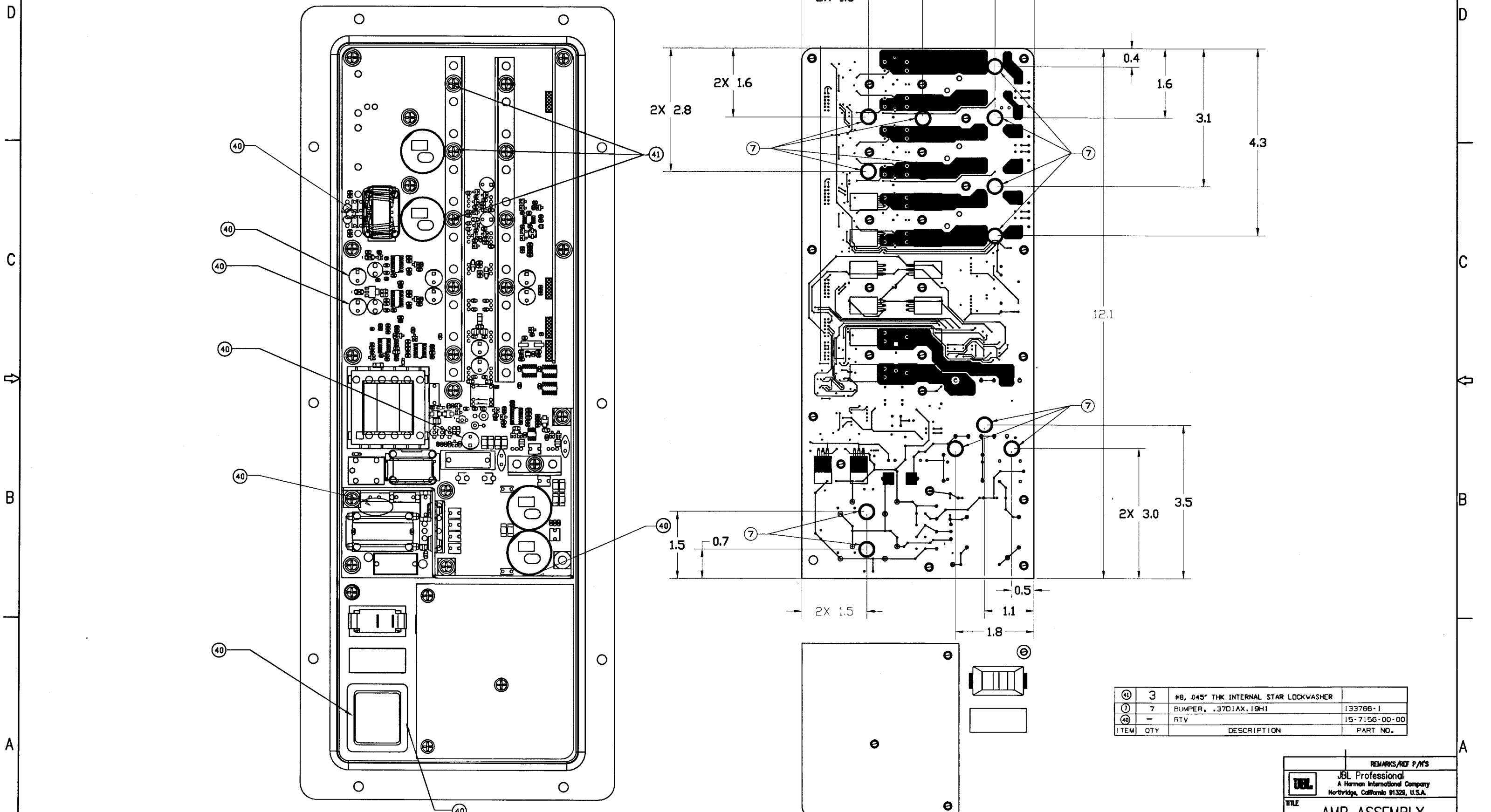
3

2

1

THESE DRAWINGS AND SPECIFICATIONS ARE THE PROPERTY OF JBL INCORPORATED THEY ARE ISSUED IN STRICT CONFIDENCE AND SHALL NOT BE REPRODUCED, COPIED, OR USED AS THE BASIS FOR MANUFACTURING OR SALE OF APPARATUS WITHOUT WRITTEN PERMISSION.

		REVISIONS				
CHG	LTR	DESCRIPTION	DRFT	CHK	DATE	APPR
		SEE SHEET 1 FOR INFORMATION				



ITEM	QTY	DESCRIPTION	PART NO.
④	3	#8, .045" THK INTERNAL STAR LOCKWASHER	
⑦	7	BUMPER, .37D1AX, 19H1	133766-1
④①	-	RTV	15-7156-00-00

UNCONTROLLED COPY

NOTES: (UNLESS OTHERWISE SPECIFIED)

REMARKS/REF P/N'S

JBL Professional
A Harman International Company
Northridge, California 91328, U.S.A.

TITLE: **AMP ASSEMBLY**

REV: **D** DRAWING NO: **362101** REV: **F**

SCALE: NTS SHEET 4 of 4