

# Technical Manual



# JBL PRX718S/230

## SPECIFICATIONS

### ACOUSTIC & ELECTRICAL SPECIFICATIONS:

- System Power Rating: 700W continuous, 1400W peak
- Frequency Response: 37 Hz – 130 Hz ( $\pm 3$  dB)
- Frequency Range: 33 Hz – 160 Hz ( $-10$  dB)
- Maximum SPL: 133 dB peak
- Input Sensitivity:  $-25$  dBu to 0 dBu
- LF Power Amp: Dual-Bridge Technology™, Class-D, 700 Watts (continuous at driver impedance)
- Crossover Frequency: 120 Hz
- Distortion: Less than 0.1% at rated power

### AURAL SWEEP TEST SPECIFICATIONS:

- A. System. Aural Sweep Test: 750mV Input, 20 Hz to 120 Hz (@ lowest sweep range)
- B. L.F. Aural Sweep Test: 10V Input, 10 Hz to 1000 Hz

### PHYSICAL SPECIFICATIONS:

- Enclosure Dimensions: 668 x 536 x 713 mm D (26.2 x 21 x 28 in. D)
- Net Weight: 76 lb (34.5 kg.)

### WARRANTY INFORMATION:

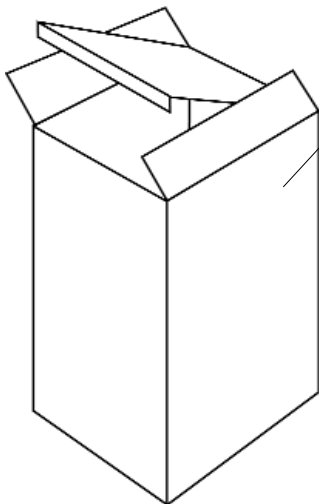
- Refer to Warranty Statement packed with each product.

### SYSTEM COMPONENTS:

- Cabinet: Enclosure (Not For Sale)
- Grille: 363314-002
- Low Frequency : 2268FF, 460 mm (18 in) Transducer: woofer
- DC Resistance: 2.7 ohm 10% 2 x 2 ohms

## PACKAGE

Warranty Card 59660



Manual  
442353-001

Carton  
442354-001

Filler, (2)  
363402-001

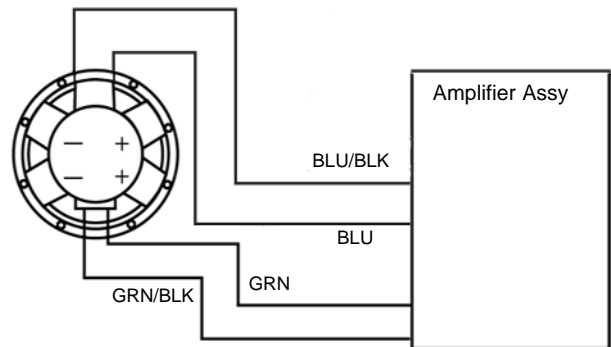
PKG, Microfoam (8)  
49790P  
20" x 18" Sheets

Cord, AC, Line, 120V  
425-00000-00

Cord, AC, Line 230V  
425-00000-01

## WIRING DIAGRAM

Driver, Low Freq.  
2268FF  
(364537-001X)  
Cone Repl  
C2X2R2268

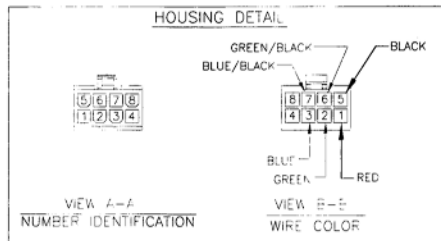
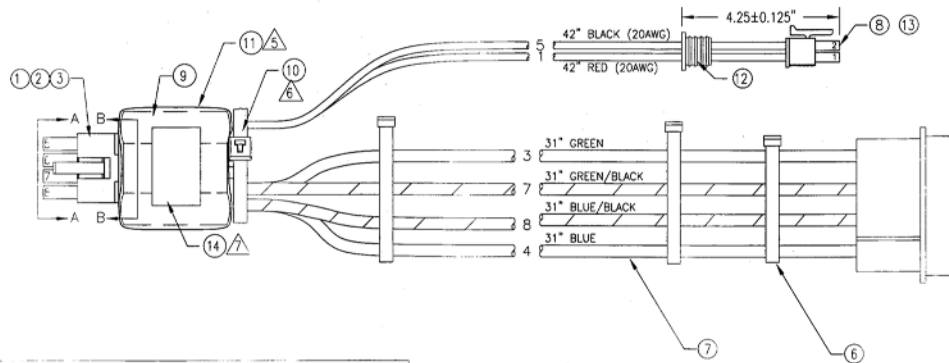


JBL PRX718S/230 REV A

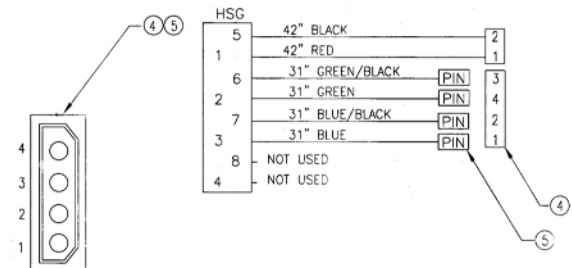
# JBL PRX718S/230

## SCHEMATIC DIAGRAM (442495-001)

PARTS LIST				
ITEM	REF	QTY	DESCRIPTION	REMARKS
1	HSG1	1	HOUSING, .165SP, F, 2X4 POS, MOLEX P/N 39-01-2085 OR EQUIVALENT	
2	TERM1	2	TERMINAL, SPOX, MOLEX P/N 39-00-0077 OR EQUIVALENT (FOR 16AWG)	
3	TERM2	2	TERMINAL, SPOX, MOLEX P/N 39-00-0038 OR EQUIVALENT (FOR 20AWG)	
7	WIRE1	A/R	WIRE, 16AWG, UL-1015	
4	HSG2	1	HOUSING, MATE-N-LOK, TYCO/AMP, IN LINE 4 CIRCUIT, POSITIVE LOCK P/N 1-480426-0	
5	PIN	4	CONN PIN, MATE-N-LOK, TYCO/AMP 14-20AWG TIN CRIMP P/N 60620-1	
6	TIE1	4	NYLON WIRE TIE - STANDARD, 1/8" WIDE, CLEAR, MFG "XSS" P/N CV-120	
9	EMI CORE	1	EMI SUPPRESSION CORE, P/N M4S RH 25.9X28.5X12.9	
10	C/T	1	CABLE TIE, 8" LONG	
11	H/S	1	SLEEVE, POLYOLIFIN HEAT SHRINK	
14	LABEL	1	LABEL, ID (PAPER LABEL, 1.0X0.8", PRE-PRINTED ONE SIDE)	
8	TERM3	2	TERMINAL, CRIMP, MOLEX P/N 43030-0007 OR EQUIVALENT	
12	RECPT	1	GRILLE RECEPTACLE, GS-1	
13	HSG2	1	HOUSING, 3mmSP, F, 1X2 POS, MOLEX P/N 43025-0200 OR EQUIVALENT	



### SCHEMATIC



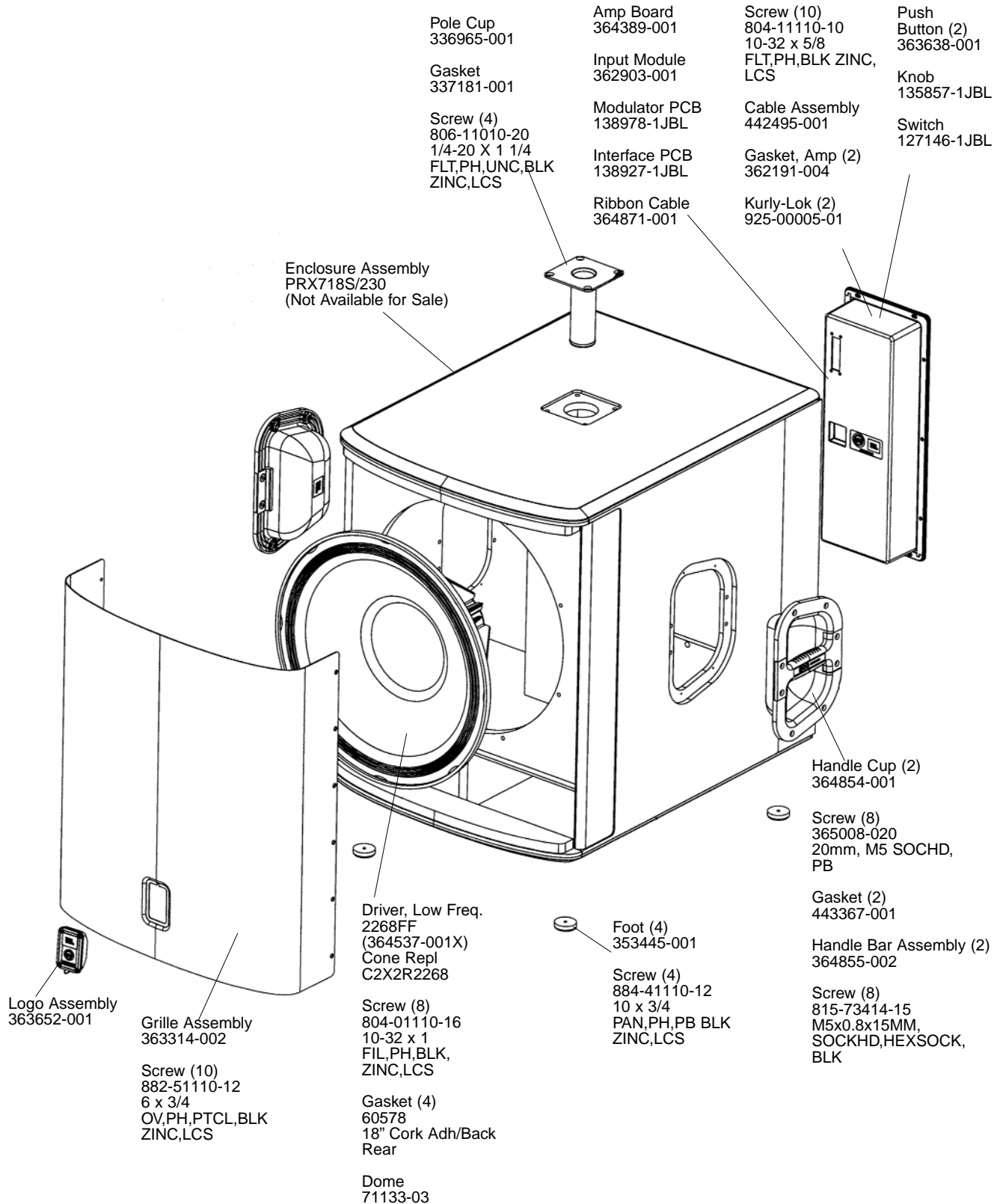
- ⚠ AFFIX ID LABEL & HEAT SHRINK SLEEVE ON EMI CORE.
- ⚠ EMI CORE TO BE SECURED AGAINST HSG WITH A CABLE TIE. CABLE TIE BUCKLE TO BE 6mm X 4.6mm MIN. STRAP TO HAVE EXCESS OVERHANG OF 5-6mm MIN. SEE CABLE TIE BUCKLE DETAIL.
- ⚠ COVER EMI CORE WITH A HEAT SHRINK SLEEVE.
- 4. CUSTOMER P/N IS 442495-001.
- 3. SEE HOUSING DETAIL FOR INSTALLATION OF WIRES.
- 2. ALL WIRES ARE 16AWG UL-1015 UNLESS OTHERWISE INDICATED.
- 1. MUST BE RoHS COMPLIANT.

NOTE:

JBL PRX718S/230

# JBL PRX718S/230

## COMPONENT EXPLODED VIEW



JBL PRX718S/230