

Technical Manual



JBL PRX525/230

SPECIFICATIONS

ACOUSTIC & ELECTRICAL SPECIFICATIONS:

- System Power Rating: 650W continuous, 1300W peak
- Frequency Response: 52 Hz – 20 kHz (± 3 dB)
- Frequency Range: 45 Hz – 20 kHz (-10 dB)
- Maximum SPL: 135 dB SPL peak
- Input Sensitivity: Mic position: -25 dBu to 0 dBu
Line position: $+28$ dBu to $+10$ dBu
- LF1 Power Amp: Class-D, 275W (continuous) at driver impedance
- LF2 Power Amp: Class-D, 275W (continuous) at driver impedance
- HF Power Amp: Class-D, 100W (continuous) at driver impedance
- Crossover Frequency: 1.6 kHz

SYSTEM COMPONENTS:

- Cabinet: Enclosure (Not For Sale)
- Grille: 363075-003
- Low Frequency: 265F-1, 380 mm (15 in) Differential Drive woofer Transducer:
- D.C. Resistance: 1.35 ohm $\pm 10\%$
- High Frequency: 2408H, 37.5 mm (1.5 in) annular polymer diaphragm, neodymium compression driver
- D.C. Resistance: 4.80 ohm ± 0.2 ohm

AURAL SWEEP TEST SPECIFICATIONS:

- A. System. Aural Sweep Test: 200V Input, 20 Hz to 20 kHz
- B. L.F. Aural Sweep Test: 3.5V Input, 10 Hz to 300 Hz
- C. H.F. Aural Sweep Test: 1V Input, 900 Hz to 20 kHz

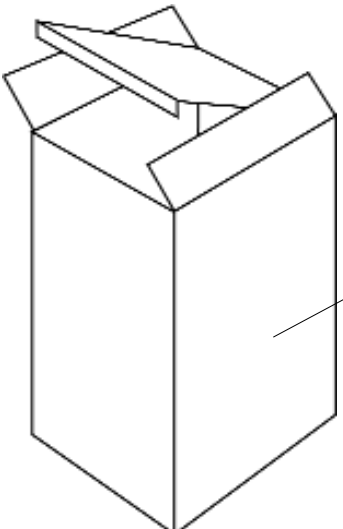
PHYSICAL SPECIFICATIONS:

- Enclosure Dimensions: 1300 x 440 x 465 mm D (H x W x D) (51 x 17.25 x 18.25 in. D)
- Net Weight: 84 lb (38 kg)

WARRANTY INFORMATION:

- Refer to Warranty Statement packed with each product.

PACKAGE



Warranty Card
59660

Manual
363264-004

Carton
363399-001

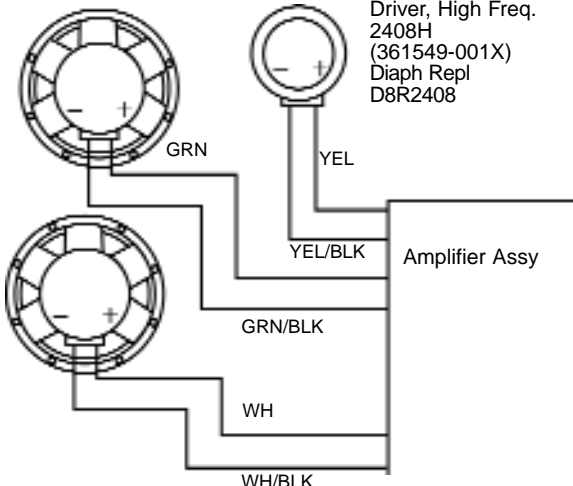
Filler, Top & Bottom
(2)363266-001

PKG, Microfoam (8)
49790P

Cord, AC, Line, 120V
425-00000-00

Cord, AC, Line, 230V
425-00000-01

WIRING DIAGRAM



Driver, Low Freq (2)
265F-1
(362048-002X)
Cone Repl (Not Avail. Replace Driver)

Driver, Low Freq. (2)
265F-1
(363837-001X)
Cone Repl C2R265-1

Driver, High Freq.
2408H
(361549-001X)
Diaph Repl D8R2408

Amplifier Assy

GRN

YEL

YEL/BLK

GRN/BLK

WH

WH/BLK

JBL PRX525/230 REV U

JBL PRX525/230

COMPONENT EXPLODED VIEW

