

Technical Manual



JBL PRX515/230

SPECIFICATIONS

ACOUSTIC & ELECTRICAL SPECIFICATIONS:

- System Power Rating: 500W continuous, 1000W peak
- Frequency Response: 52 Hz – 20 kHz (±3 dB)
- Frequency Range: 45 Hz – 20 kHz (–10 dB)
- Maximum SPL: 133 dB SPL peak
- Input Sensitivity: Mic position: -25 dBu to 0 dBu
Line position: +28 dBu to +10 dBu
- LF Power Amp: Class-D, 400W (continuous) at driver impedance
- HF Power Amp: Class-D, 100W (continuous) at driver impedance
- Crossover Frequency: 1.6 kHz

SYSTEM COMPONENTS:

- Cabinet: Enclosure (Not For Sale)
- Grille: 363075-002
- Low Frequency Transducer: 265F-1, 380 mm (15 in) Differential Drive woofer
- D.C. Resistance: 1.35 ohm +/- 10%
- High Frequency Transducer: 2408H, 37.5 mm (1.5 in) annular polymer diaphragm, neodymium compression driver
- D.C. Resistance: 4.80 ohm +/- 0.2 ohm

AURAL SWEEP TEST SPECIFICATIONS:

- A. System. Aural Sweep Test: 200V Input, 20 Hz to 20 kHz
- A. L.F. Aural Sweep Test: 3.5V Input, 10 Hz to 300 Hz
- B. H.F. Aural Sweep Test: 1V Input, 900 Hz to 20 kHz

PHYSICAL SPECIFICATIONS:

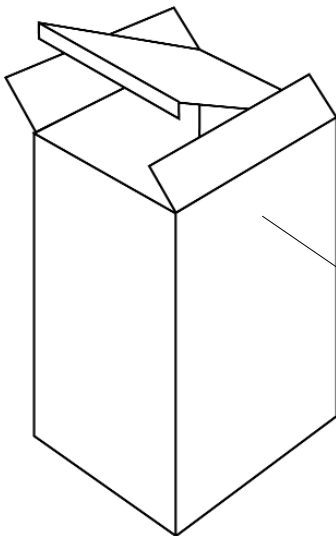
- Enclosure Dimensions: 815 x 440 x 465 mm D (32 x 17.25 x 18.25 in. D)
- Net Weight: 57 lb (26 kg.)

WARRANTY INFORMATION:

- Refer to Warranty Statement packed with each product.

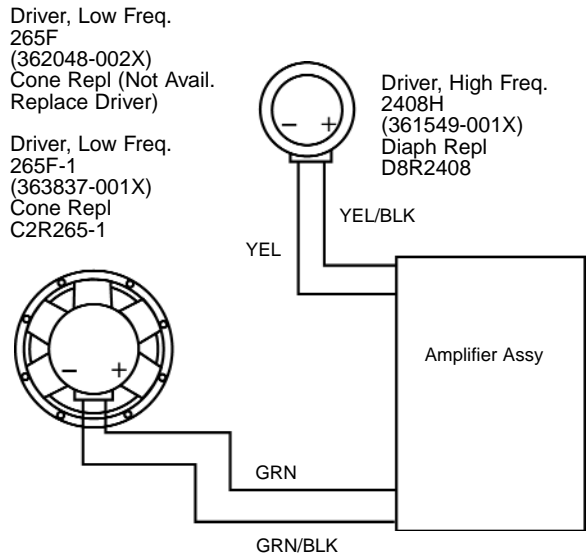
PACKAGE

Warranty Card 59660



- Manual 363264-004
- Carton 363265-001
- Filler, Top & Bottom 363266-001 (2)
- PKG, Microfoam (4) 49790P
- Cord, AC, Line, 120V 425-00000-00
- Cord, AC, Line, 230V 425-00000-01

WIRING DIAGRAM



JBL PRX515/230 REV U

JBL PRX515/230

COMPONENT EXPLODED VIEW

- Gasket, Handle (2)
363261-001
- Handle Cup (2)
363650-001
- Screw (16)
804-41110-16
10-32 x 3/8
PAN, PH, BLK ZINC,
LCS
- Handle (2)
363846-001
- Washer (16)
843-90003-00
Fender #10

- Horn
354267-001
- Gasket
362056-001
- Screw (8)
804-41110-12
10-32 x 3/4, PAN, PH,
BLK ZINC, LCS

- End Cap Top
363647-002
- Screw (9)
804-11110-16
10-32 x 1
FLT, PH, BLK
ZINC, LCS

- Pushbutton (2)
363638-001
- Switch
127146-1JBL
- Knob
135857-1JBL

- Amp Board
364389-001
- Input Module
364345-001
- Modulator PCB
364390-001
- Interface PCB
364391-001
- Screw (10)
804-11010-16
10-32 x 5/8
FLT, PH, BLK ZINC, CS
- Ribbon Cable
364871-001
- Cable Assembly
363433-004

- Driver, High Freq.
2408H
(361549-001X)
Diaph Repl
D8R2408

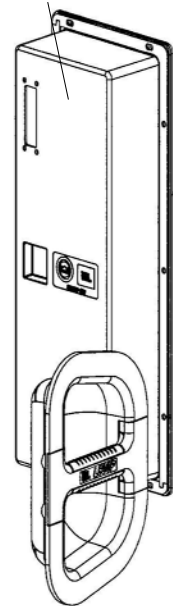
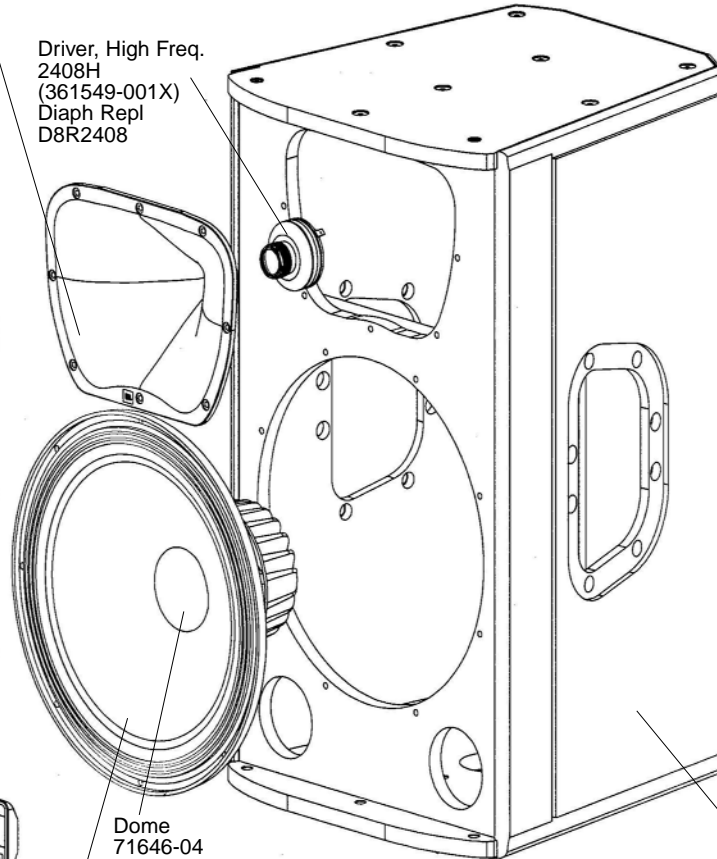
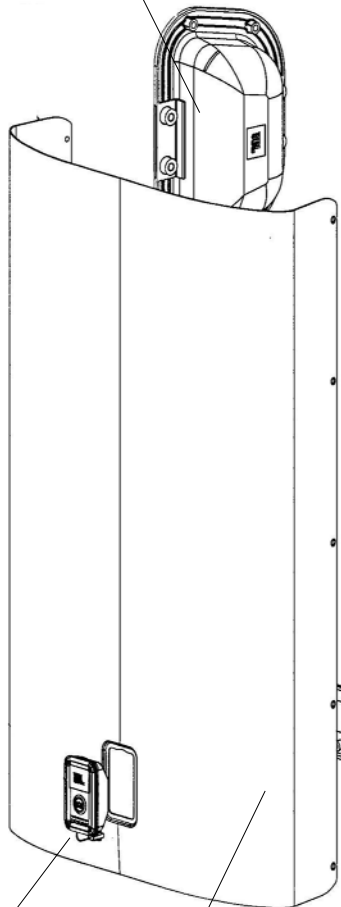
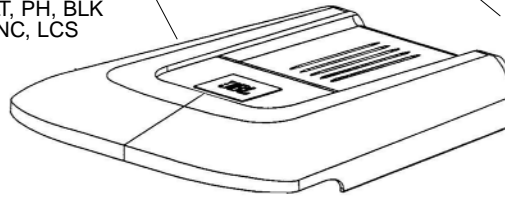
- Dome
71646-04

- Driver, Low Freq
265F
(362048-002X)
Cone Repl (Not Avail.
Replace Driver)

- Driver, Low Freq.
265F-1
(363837-001X)
Cone Repl
C2R265-1

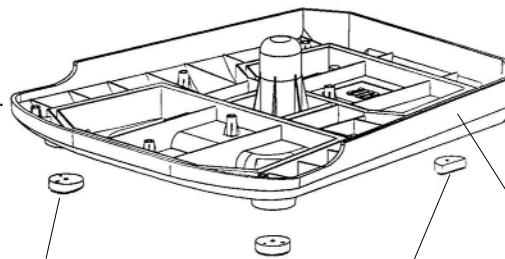
- Screw (8)
806-41010-32
10-32 x 1
FIL, PH, BLK
ZINC, LCS

- Gasket
360-70002-01
Rear 15"



- Enclosure Assembly
PRX515
(Not Available for Sale)

- Kurly-Lok
925-00005-01



- Front Foot (2)
363680-001
- Screw (2)
884-41110-16
10 x 1
PAN, PH, PB,
BLK ZINC, LCS

- Rear Foot (2)
363681-002
- Screw (2)
884-41110-16
10 x 1
PAN, PH, PB,
BLK ZINC, LCS

- End Cap
363648-003
Bottom with Pole
- Screw (9)
804-41110-20
10-32 x 1
FIL, PH, PTCL,
BLK ZINC, LCS

- Logo Assembly
363652-001

- Grille Assembly
363075-002
- Screw (14)
882-51110-12
6 x 3/4
OV, PH, PTCL,
BLK ZINC, LCS