

# Technical Manual

# JBL PRX512MI/230

## SPECIFICATIONS



### ACOUSTIC & ELECTRICAL SPECIFICATIONS:

- System Power Rating: 500W continuous, 1000W peak
- Frequency Response ( $\pm 3$  dB): 76 Hz – 20 kHz (EQ in main position)  
90 Hz – 20 kHz (EQ in monitor position)
- Frequency Range ( $-10$  dB): 46 Hz – 20 kHz (EQ in main position)  
60 Hz – 20 kHz (EQ in monitor position)
- Maximum SPL: 133 dB SPL peak
- Input Sensitivity:  $-25$  dBu to 0 dBu (Mic position)  
 $+28$  dBu to  $+10$  dBu (Line position)
- LF Power Amp: Class-D, 400W (continuous)  
at driver impedance
- HF Power Amp: Class-D, 100W (continuous)  
at driver impedance
- Crossover Frequency: 1.6 kHz

### AURAL SWEEP TEST SPECIFICATIONS:

- A. System. Aural Sweep Test: 100mV Input, 20 Hz to 20 kHz
- B. L.F. Aural Sweep Test: 3.5V Input, 10 Hz to 1 kHz
- C. H.F. Aural Sweep Test: .75 Input, 200 Hz to 1.5 kHz

### PHYSICAL SPECIFICATIONS:

- Enclosure Dimensions: 650 x 380 x 350 mm D  
(H x W x D)
- Net Weight: 40 lb. (18 kg.)

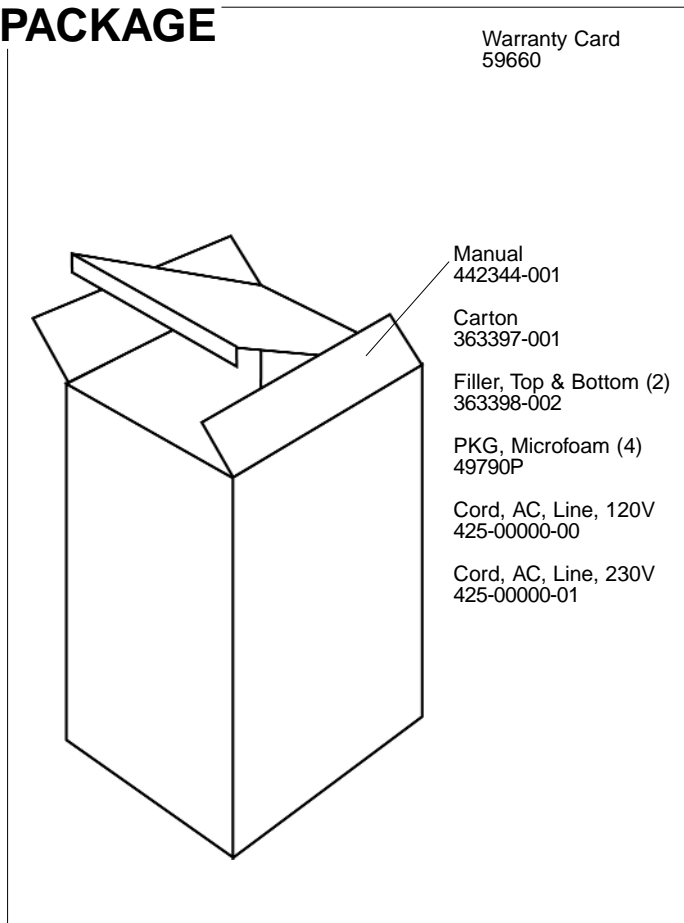
### WARRANTY INFORMATION:

- Refer to Warranty Statement packed with each product.

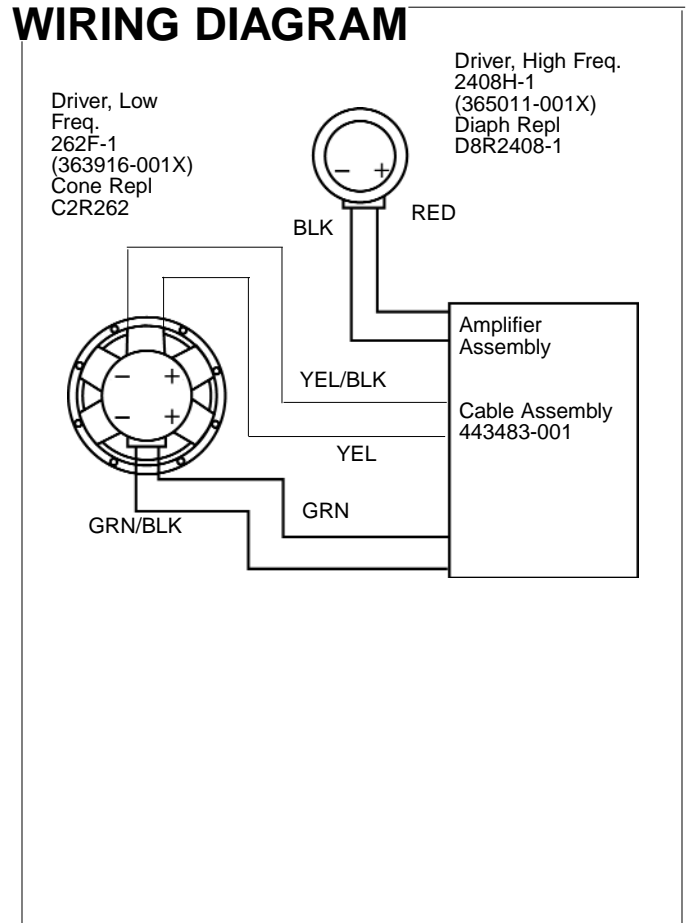
### SYSTEM COMPONENTS:

- Cabinet: Enclosure (Not For Sale)
- Grille: 363321-002
- Low Frequency Transducer: 262F-1, 380 mm (12 in)  
Differential Drive woofer
- DC Resistance: 1.4 ohm  $\pm 10\%$
- High Frequency Transducer: 2408H-1, 37.5 mm (1.5 in)  
annular polymer diaphragm,  
neodymium compression driver
- DC Resistance: 4.8 ohm  $\pm .2\%$

## PACKAGE



## WIRING DIAGRAM

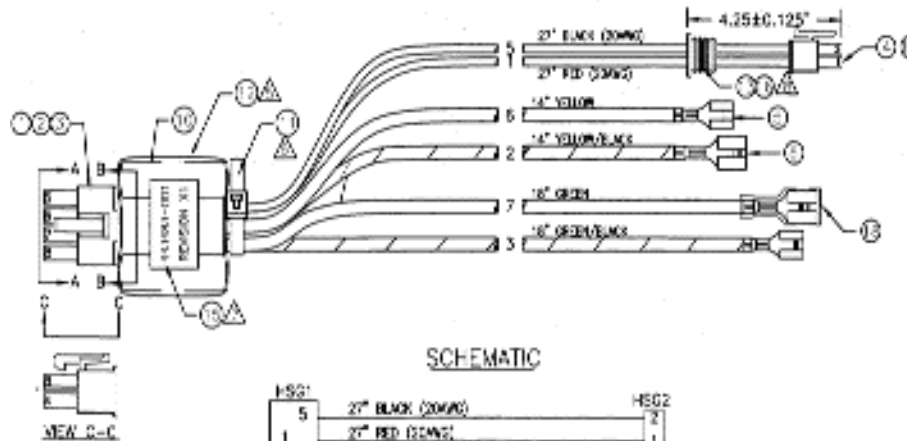
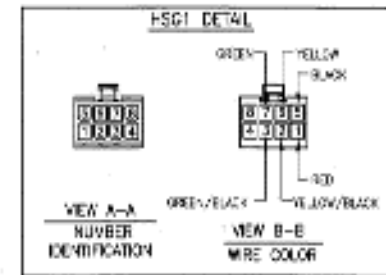


JBL PRX512MI/230 REV D

# JBL PRX512MI/230

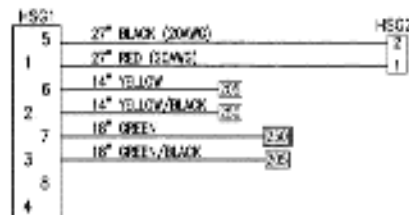
## SCHEMATIC DIAGRAM (443483-001)

PARTS LIST				
ITEM	REF	QTY	DESCRIPTION	TECATE P/N
1	HSG1	1	HOUSING, 1/250" F, 244 POS, MOLEX P/N 39-01-0008 OR EQUIVALENT	
2	TOPM1	4	TOP M/L, SPOK, MOLEX P/N 39-00-0277 OR EQUIVALENT (FOR 15AWG)	
3	TOPM2	2	TOP M/L, SPOK, MOLEX P/N 39-00-0288 OR EQUIVALENT (FOR 20AWG)	
4	TOPM3	2	TOP M/L, CRIMP, MOLEX P/N 43030-2000 OR EQUIVALENT	
5	SS2	2	FACON, FEMALE, 0.250 X 0.005, 15AED BRASS	
6	SS4	1	FACON, FEMALE, 0.250 X 0.005, 15AED BRASS	
7	A-101	N/A	WTC, 15AWG, UL-1015	
8	A-102	N/A	WTC, 20AWG, UL-1007	
9			ITEM REMOVED	
10	EM SUP	1	EM SUPPRESSOR, CORE, P/N M55 PH 25-0024-5012-1	
11	C-1	1	CABLE TR, 8" LONG	
12	H-102	1	SLEEVE, POLYURETHANE, 1/4" OD	
13	RECP1	1	GRILLE RECEPTACLE, 0.25"	21-0006-0000
14	HSG2	1	HOUSING, 1/250" F, 192 POS, MOLEX P/N 43030-2000 OR EQUIVALENT	
15	LABEL	1	LABEL, 12 STAPLES, 1/4" X 1/2", 100% CT, 303-PAINTED ONE SIDE	
16	A2-103	N/A	A2-CABLE, REMOVED	
17			ITEM REMOVED	
18	SS2M	1	FACON, FEMALE, 0.250 X 0.005, 15AED BRASS, P/N 43030-2000	



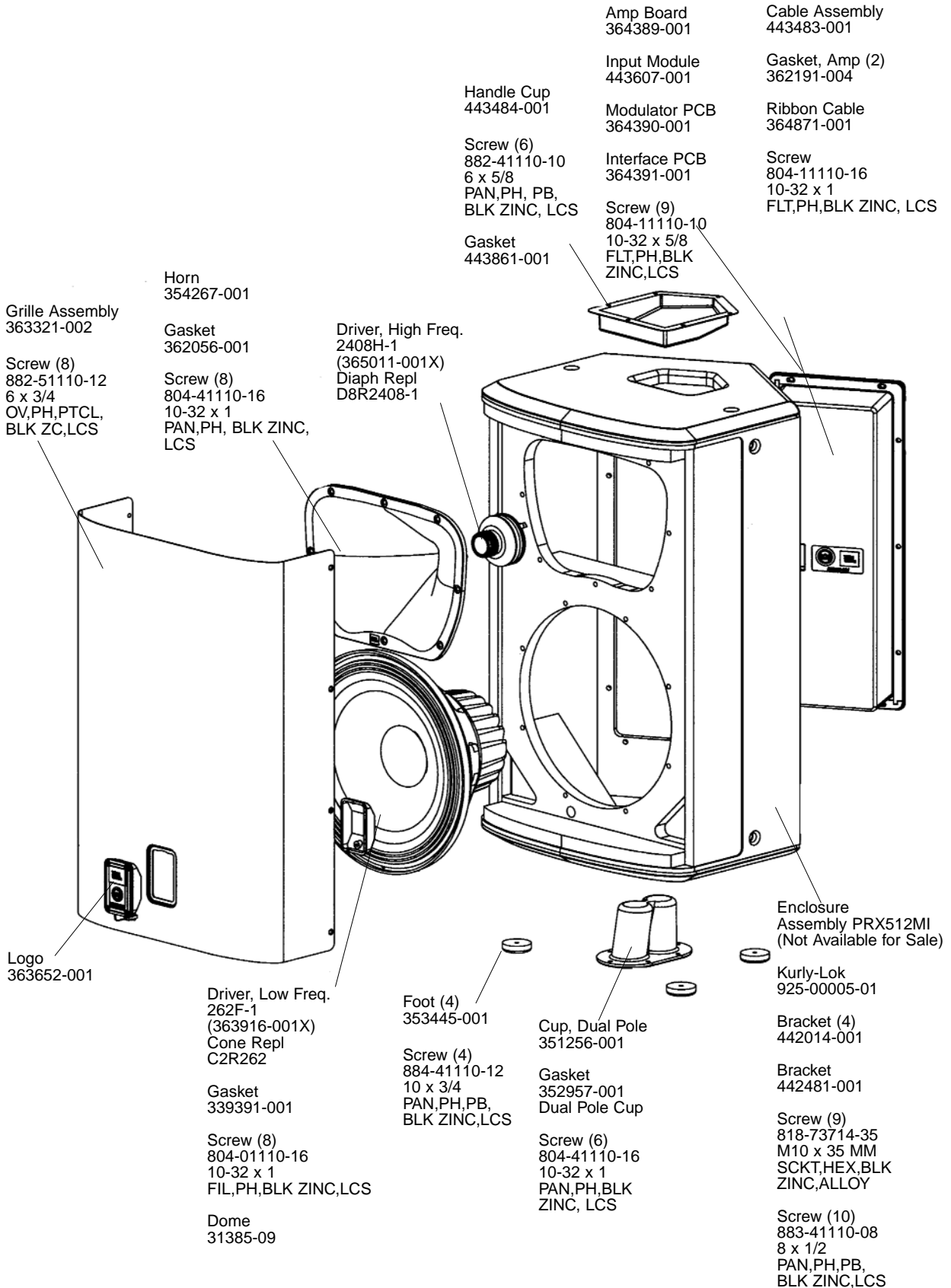
- ⚠ WTC 01-10 RECEPTACLE TO RED AND BLACK WTC LOCATED 4.25" FROM END OF HSG2. SOLDER RECEPTACLE TO WIRES WITH AN AIR TIGHT SEAL, USING HOTMELT.
  - ⚠ WTC 01-102 TO HEAT SH-RK SLEEVE ON EM CORE.
  - ⚠ EM CORE TO BE STOLDED AGAINST HSG WITH A CABLE TIE. CABLE TIE BACKLE TO BE SHOWN X 4.8mm MIN. STRAP TO HAVE EXCESS EXTENDING OF 2-3mm MIN. SEE CABLE TR SCALE DETAIL.
  - ⚠ COVER EM CORE WITH A POLYURETHANE HEAT SH-RK SLEEVE.
  - 4 CUSTOMER P/N IS 354422-004 VERSION 0.
  - 2 SEE HOUSING DETAIL FOR INSTALLATION OF WIRES.
  - 2 ALL WIRES ARE 15AWG UL-1015 UNLESS OTHERWISE INDICATED.
  - 1 MUST BE PINS COMPLIANT
- NOTES:

### SCHEMATIC



# JBL PRX512MI/230

## COMPONENT EXPLODED VIEW



JBL PRX512MI/230