

Technical Manual



JBL PRX512M/230

SPECIFICATIONS

ACOUSTIC & ELECTRICAL SPECIFICATIONS:

- System Power Rating: 500W continuous, 1000W peak
- Frequency Response (± 3 dB): 76 Hz – 20 kHz (EQ in main position)
90 Hz – 20 kHz (EQ in monitor position)
- Frequency Range (-10 dB): 46 Hz – 20 kHz (EQ in main position)
60 Hz – 20 kHz (EQ in monitor position)
- Maximum SPL: 133 dB SPL peak
- Input Sensitivity: -25 dBu to 0 dBu (Mic position)
 $+28$ dBu to $+10$ dBu (Line position)
- LF Power Amp: Class-D, 400 Watt (continuous)
at driver impedance
- HF Power Amp: Class-D, 100 Watt (continuous)
at driver impedance
- Crossover Frequency: 1.6 kHz

SYSTEM COMPONENTS:

- Cabinet: Enclosure (Not For Sale)
- Grille: 363321-002
- Low Frequency Transducer: 262F-1, 380 mm (12 in)
Differential Drive woofer
- D.C. Resistance: 1.4 ohm $\pm 10\%$
- High Frequency Transducer: 2408H, 37.5 mm (1.5 in)
annular polymer diaphragm,
neodymium compression driver
- D.C. Resistance: 4.80 ohm ± 0.2 ohm

AURAL SWEEP TEST SPECIFICATIONS:

- A. System. Aural Sweep Test: 100mV Input, 20 Hz to 20 kHz
volume control full clockwise with
line in and main selected
- B. L.F. Aural Sweep Test: 3.5V Input, 10 Hz to 1 kHz
- C. H.F. Aural Sweep Test: 0.75 Input, 200 Hz to 1.5 kHz

PHYSICAL SPECIFICATIONS:

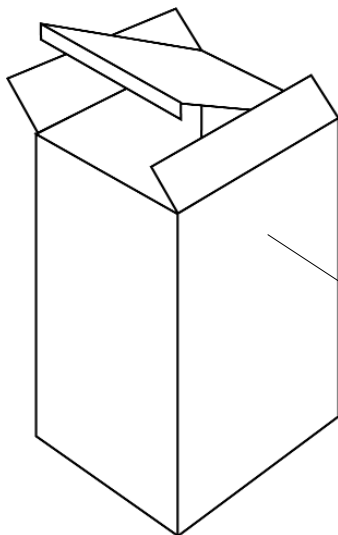
- Enclosure Dimensions: 650 x 380 x 350 mm D
(25.5 x 15 x 14 in. D)
- Net Weight: 40 lb (18 kg.)

WARRANTY INFORMATION:

- Refer to Warranty Statement packed with each product.

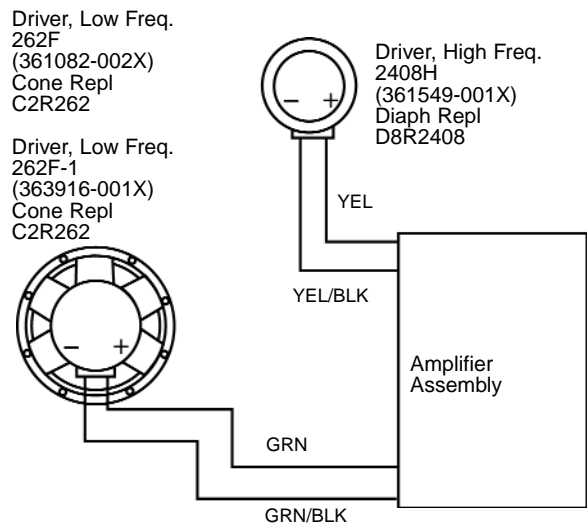
PACKAGE

Warranty Card 59660



- Manual 363264-004
- Carton 363397-001
- Filler, Top & Bottom (2) 363398-002
- PKG, Microfoam (4) 49790P
- Cord, AC, Line, 120V 425-00000-00
- Cord, AC, Line, 230V 425-00000-01

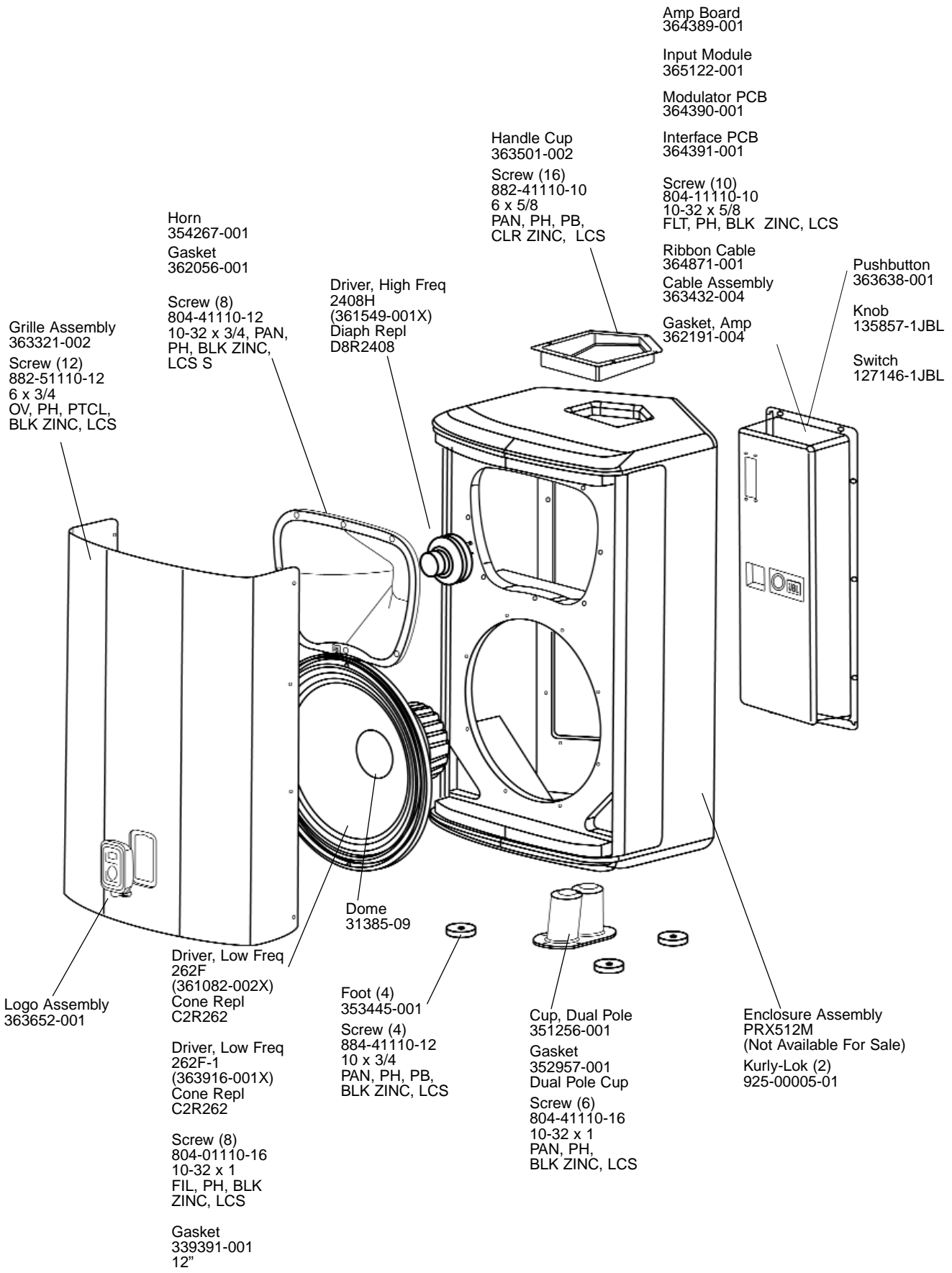
WIRING DIAGRAM



JBL PRX512M/230 REV X

JBL PRX512M/230

COMPONENT EXPLODED VIEW



Amp Board
364389-001

Input Module
365122-001

Modulator PCB
364390-001

Interface PCB
364391-001

Handle Cup
363501-002
Screw (16)
882-41110-10
6 x 5/8
PAN, PH, PB,
CLR ZINC, LCS

Screw (10)
804-11110-10
10-32 x 5/8
FLT, PH, BLK ZINC, LCS

Horn
354267-001
Gasket
362056-001

Ribbon Cable
364871-001
Cable Assembly
363432-004

Pushbutton
363638-001

Grille Assembly
363321-002

Screw (8)
804-41110-12
10-32 x 3/4, PAN,
PH, BLK ZINC,
LCS S

Driver, High Freq
2408H
(361549-001X)
Diaph Repl
D8R2408

Gasket, Amp
362191-004

Knob
135857-1JBL

Screw (12)
882-51110-12
6 x 3/4
OV, PH, PTCL,
BLK ZINC, LCS

Switch
127146-1JBL

Logo Assembly
363652-001

Driver, Low Freq
262F
(361082-002X)
Cone Repl
C2R262

Dome
31385-09

Driver, Low Freq
262F-1
(363916-001X)
Cone Repl
C2R262

Foot (4)
353445-001
Screw (4)
884-41110-12
10 x 3/4
PAN, PH, PB,
BLK ZINC, LCS

Cup, Dual Pole
351256-001

Enclosure Assembly
PRX512M
(Not Available For Sale)
Kurly-Lok (2)
925-00005-01

Gasket
352957-001
Dual Pole Cup

Screw (6)
804-41110-16
10-32 x 1
PAN, PH,
BLK ZINC, LCS

Screw (8)
804-01110-16
10-32 x 1
FIL, PH, BLK
ZINC, LCS

Gasket
339391-001
12"

JBL PRX512M/230